

# PRODUCT INFORMATION PACKET



Model No: 114629.00

Catalog No: 114629.00

0.75 HP Explosion Proof Motor, 3 phase, 3600 RPM, 208-230/460 V, 56C Frame, EPFC  
Explosion Proof NEMA Motors



Regal and Leeson are trademarks of Regal Beloit Corporation or one of its affiliated companies.  
©2020 Regal Beloit Corporation, All Rights Reserved. MC017097E

The Regal logo is positioned in the bottom right area of the page. It features the word "REGAL" in a white, bold, sans-serif font, set against a dark grey, trapezoidal background. To the right of the logo is a vertical decorative bar with a blue-to-black gradient and a fine grid pattern.

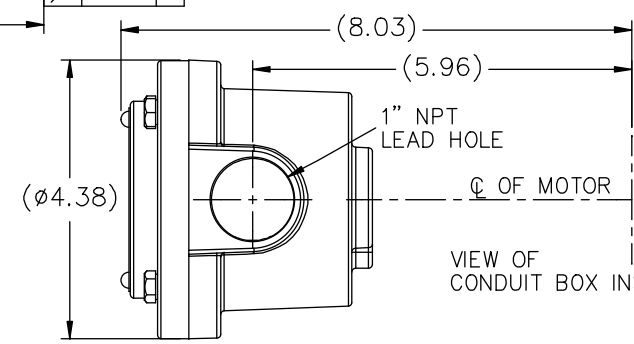
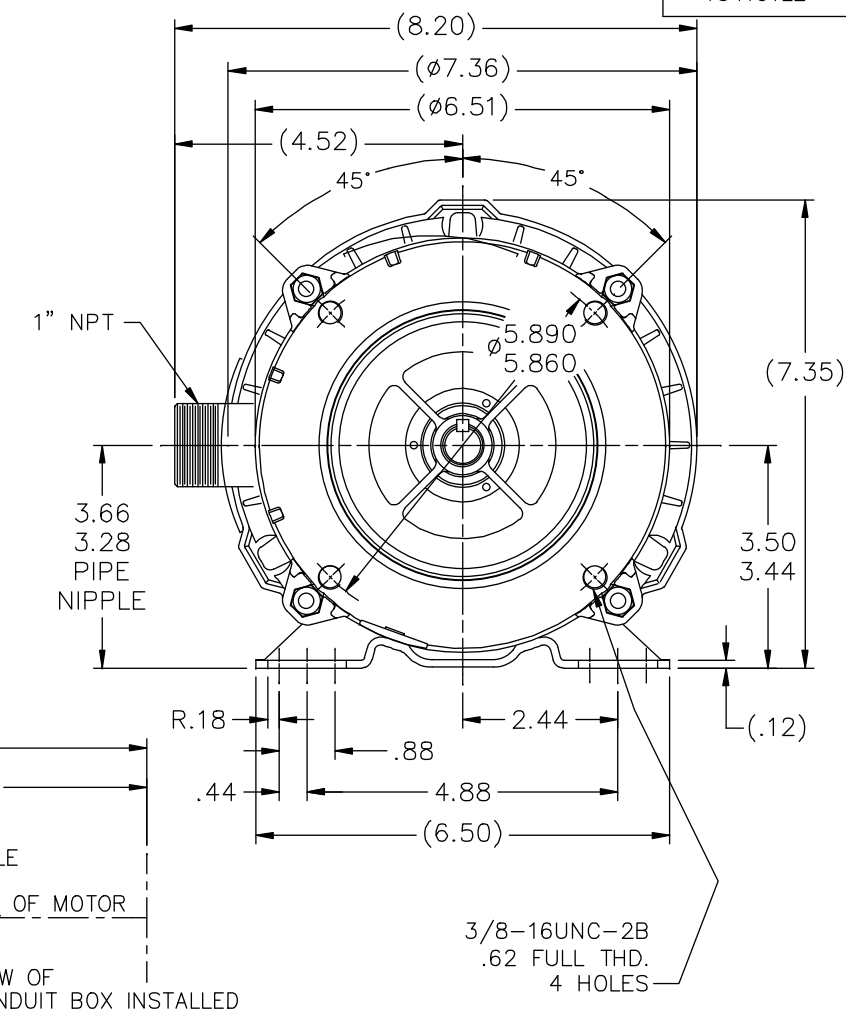
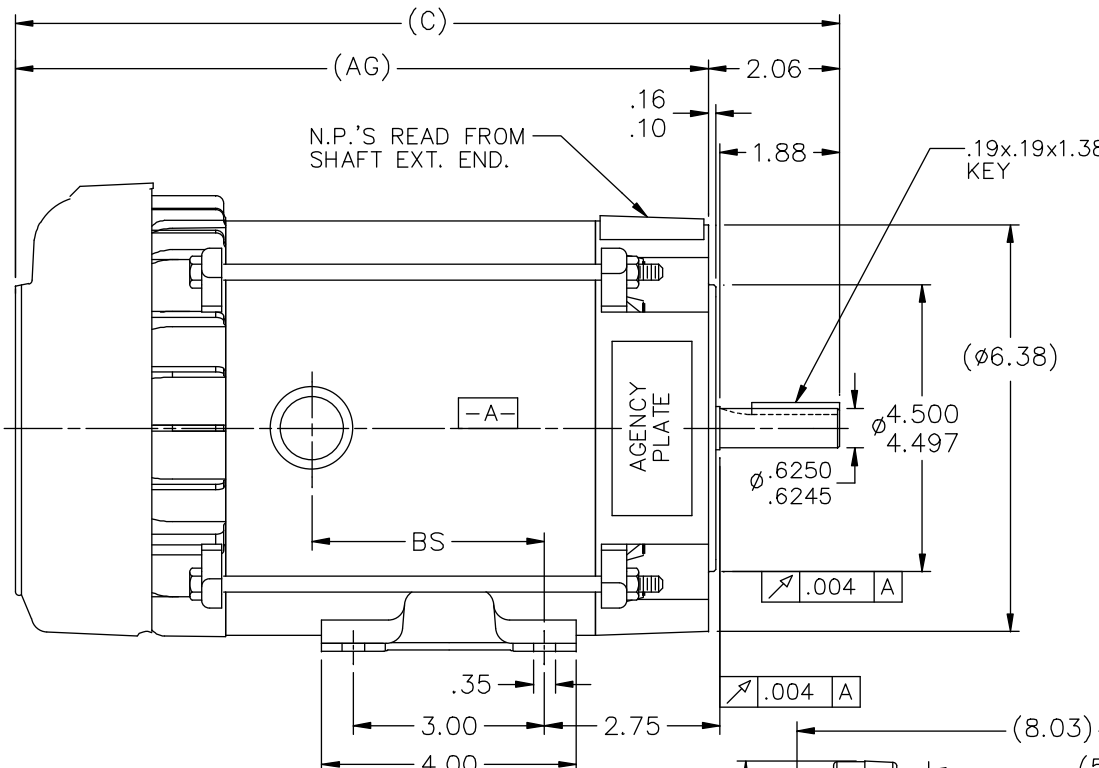


**Nameplate Specifications**

Output HP	0.75 Hp	Output KW	0.56 kW
Frequency	60 Hz	Voltage	208-230/460 V
Current	3.0-3.2/1.6 A	Speed	3450 rpm
Service Factor	1	Phase	3
Efficiency	74 %	Power Factor	69.1
Duty	Continuous	Insulation Class	B
Design Code	B	KVA Code	N
Frame	56C	Enclosure	Explosion Proof Fan cooled
Thermal Protection	Automatic	Ambient Temperature	40 °C
Drive End Bearing Size	6203	Opp Drive End Bearing Size	6203
UL	UL Listed And CSA Certified	CSA	Y
CE	N	IP Code	54
Hazardous Location	EXP PROOF CL I GR C&D CL II GR F&G T3C		

**Technical Specifications**

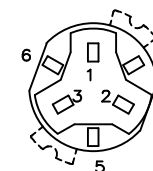
Electrical Type	Squirrel Cage Induction Run	Starting Method	Across The Line
Poles	2	Rotation	Reversible
Resistance Main	5.66 Ohms	Mounting	Rigid base
Motor Orientation	Horizontal	Drive End Bearing	Ball
Opp Drive End Bearing	Ball	Frame Material	Rolled Steel
Shaft Type	NEMA 56	Overall Length	13.44 in
Frame Length	6.31 in	Shaft Diameter	0.625 in
Shaft Extension	1.88 in	Assembly/Box Mounting	F1 ONLY
Connection Drawing	A-EE7335-LE	Outline Drawing	B-104191LE-631



DASH	(C)	(AG)	BS		
631	13.44	11.38	4.15		
681	13.94	11.88	4.65		
731	14.44	12.38	5.15		
781	14.94	12.88	5.65		
831	15.44	13.38	6.15		
881	15.94	13.88	6.65		
931	16.44	14.38	7.15		
981	16.94	14.88	7.65		

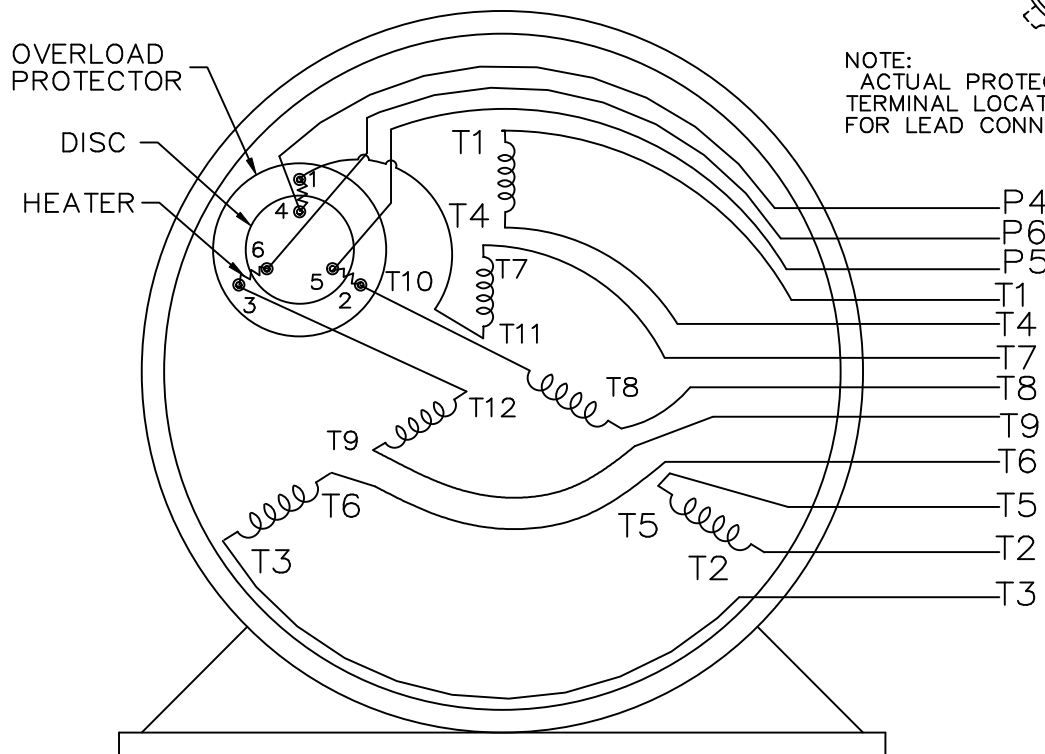
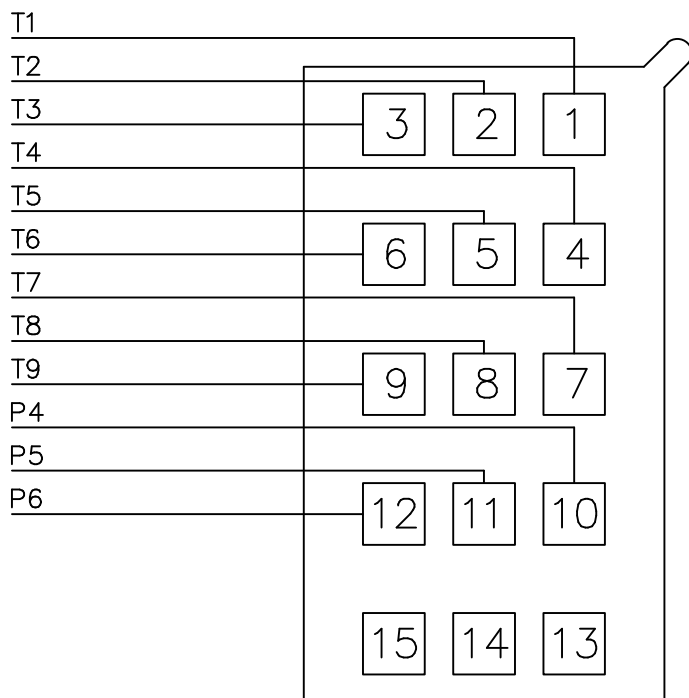
		TOLERANCES UNLESS SPECIFIED		LEESON ELECTRIC MOTORS GEARMOTORS AND DRIVES		DRAWN HLB 05-29-2002	
		DEC.	INCHES			CHK	ML 05-31-2002
		.X	±.1	TITLE OUTLINE - 'C' FACE		APPD	SAS 05-31-2002
3	COND. BOX INSTALLED VIEW UPDATED PER ECR-0044571	UD	10/15/13	ST	.XX ±.03	SCALE	1=2
2	REVISED C'BOX PER CN 40784A	JJB	02/26/2007	ML	.XXX ±.005	REF	
1	NEW DRAWING	HLB	05-31-2002		.XXXX ±.0005	FMF	
NO.	REVISION	BY & DATE	CHK	ANG	FINISH	PREV	
THIS DRAWING IN DESIGN AND DETAIL IS OUR PROPERTY AND MUST NOT BE USED EXCEPT IN CONNECTION WITH OUR WORK ALL RIGHTS OF DESIGN AND INVENTION ARE RESERVED THIS IS AN ELECTRONICALLY GENERATED DOCUMENT - DO NOT SCALE THIS PRINT				RFP	CAD FILE 104191LE	SIZE	DRAWING NO. PAGE OF REV.
				DIST	WP	B	104191LE 3

THREE PHASE – DUAL VOLTAGE MOTOR  
WITH OVERLOAD PROTECTOR




NOTE:  
ACTUAL PROTECTORS  
TERMINAL LOCATIONS  
FOR LEAD CONNECTIONS

(BACK OF PLUG)



VIEW OF TERMINAL END

		TOLERANCES UNLESS SPECIFIED		 ELECTRIC MOTORS GEARMOTORS AND DRIVES	DRAWN HLB 06-22-2004	
		DEC.	INCHES		CHK	ML 06-23-2004
		.X	±.1		APPD	JET 06-23-2004
		.XX	±.02		SCALE	3=4
		.XXX	±.005		REF	MU51245
1	REVISED LEAD CONNECTIONS CN 38726	RJW 12-01-2004	.XXXX ±.0005	MAT'L.	FMF 116524.00	
NO.	REVISION	BY & DATE	CHK ANG ±7'30"	FINISH	PREV	PRO40027
THIS DRAWING IN DESIGN AND DETAIL IS OUR PROPERTY AND MUST NOT BE USED EXCEPT IN CONNECTION WITH OUR WORK ALL RIGHTS OF DESIGN AND INVENTION ARE RESERVED THIS IS AN ELECTRONICALLY GENERATED DOCUMENT - DO NOT SCALE THIS PRINT				RFP 06-23-2004	CAD FILE ee7335w_le	SIZE A
				DIST WP-LE	DRAWING NO. EE7335W-LE	PAGE OF 1



CERTIFICATION DATA SHEET

P.O. BOX 8003  
WAUSAU, WI 54401-8003  
PH. 715-675-3311

DATA VOLTS: 460

CONN. DIAGRAM: EET7335-LE  
OUTLINE: B-104191LE-631  
WINDING: ZT205

FR 3

CAT #:

114629.00

TYPICAL MOTOR PERFORMANCE DATA

HP	KW	SYNC RPM	FL RPM	FRAME	ENCLOSURE	TYPE	KVA CODE	DESIGN	
0.75	0.56	3600	3450	56C	TEFC	TFR	N	B	
PH	HZ	VOLTS	AMPS	START TYPE	DUTY	INSL	S.F.	AMB	ELEV.
3	60/50	208-230/460#190/380	3-3.2/1.6&3/1.5	ACROSS THE LINE	CONT	B	1.15	40	3300

F.L. EFF	F.L. PF	3/4 LD EFF	68.0	1/2 LD EFF	60.0	GTD EFF	70.0	ELECT. TYPE
74.0	69.1	3/4 LD PF	61.5	1/2 LD PF	51.0			SQ CAGE IND RUN

F.L. TORQUE	LR AMPS @ 460 V	L.R. TORQUE	B.D. TORQUE	F.L. RISE (°C)
1.14 LB-FT	11.5	4.0 LB-FT	351%	5.6 LB-FT
			491%	50

PRESSURE @	POWER	ROTOR WK²	MAX. LOAD WK²	SAFE STALL TIME	STARTS/HOUR	MOTOR WGT
68 DBA	77 DBA	0.02 LB-FT²	1.5 LB-FT²	10 SEC.	2	22 LB.

\*\*\* SUPPLEMENTAL INFORMATION \*\*\*

DE BRACKET TYPE	ODE BRACKET TYPE	MOUNT TYPE	MOTOR ORIENTATION	SEVERE DUTY	HAZARDOUS LOCATION	DRIP COVER	SCREENS	PAINT
C-FACE	STANDARD	RIGID	HORIZONTAL	NO	DEF CL I GR C&D CL II GF	NO	NONE	DEF-LEESON (ENAM)
BEARINGS	GREASE	SHAFT TYPE	SPECIAL DE	SPECIAL ODE	SHAFT	MATERIAL	FRAME MATERIAL	
BALL BALL 6203	POLYREX EM	STANDARD 56	NONE	NONE	1144 STRESSPROOF (C-223)		ROLLED STEEL	

THERMOSTATS	PROTECTORS	WDG RTD's	BRG RTD's	THERMOSTATS	CONTROL	SPACE HEATERS
NONE	AUTOMATIC	NONE	NONE	NONE	FALSE	NA
R1 (ohms/ph)	R2 (ohms/ph)	X1 (ohms/ph)	X2 (ohms/ph)	Xm (ohms/ph)	VIBRATION (in/sec)	FLOAT
0	0	0	0	0	0.150	ODE

INVERTER TORQUE:	INVERTER TORQUE:	INVERTER TORQUE:
NONE	NONE	NONE
INV. HP SPEED RANGE:	INV. HP SPEED RANGE:	INV. HP SPEED RANGE:
NONE	NONE	NONE
ENCODER:	ENCODER:	ENCODER:
NONE	NONE	NONE
BRAKE:	BRAKE:	BRAKE:
NONE	NONE	NONE
FT-LB:	FT-LB:	FT-LB:
NA	NA	NA
VOLTAGE:	VOLTAGE:	VOLTAGE:
NONE	NONE	NONE
UL:	UL:	UL:
Y:(LEESON UL REC)	Y:(LEESON UL REC)	Y:(LEESON UL REC)

DATE:	DATE:
1/31/2018	1/31/2018

Data Sheet

Date: 1/31/2018

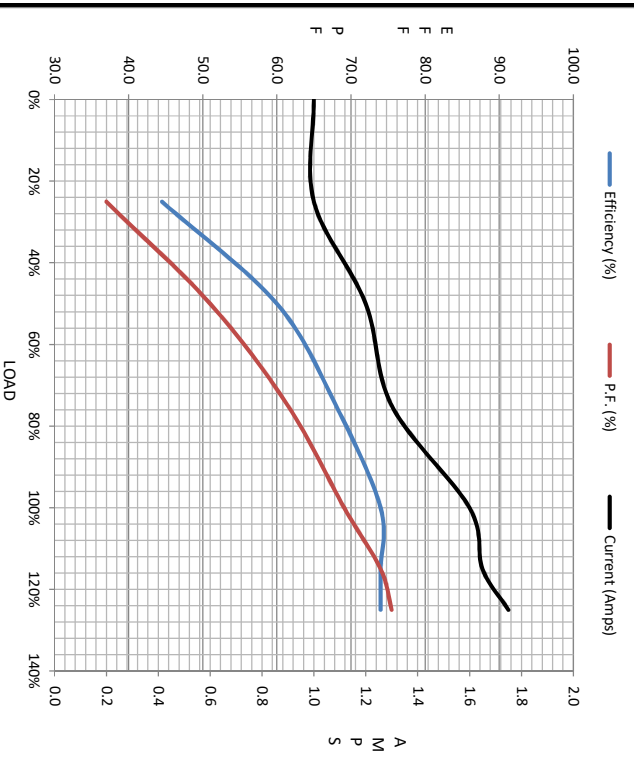
114629.00



Data @ 460 V

		Motor Load Data					LR	
Load		0%	25%	50%	75%	100%	115%	125%
Current (Amps)		1.00	1.00	1.20	1.30	1.60	1.65	1.75
Torque (ft-lb)		0.00	0.28	0.55	0.84	1.14	1.30	1.40
RPM		3600	3577	3560	3525	3450	3440	3425
Efficiency (%)			44.5	60.0	68.0	74.0	74.0	74.0
P.F. (%)		18.0	37.0	51.0	61.5	69.1	74.0	75.5

		Motor Speed Data					Information Block																					
		LR	Pull-Up	BD	Rated	Idle	HP	Sync. RPM	Frame	Enclosure	Construction	Voltage	Frequency	Design	LR Code letter	Service Factor	Temp Rise @ FL	Duty	Ambient	Elevation	Rotor/Shaft wk <sup>2</sup>	Ref Wdg	Sound Pressure @ 1M	VFD Rating	Outline Dwg	Conn. Diag	Additional Specifications:	
Speed (RPM)		0	1800	2640	3450	3600	0.8	3600	56	TEFC	TFR	208-230/460#190/380	60	B	N	1.15	50	CONT	40	1,000	0.02	ZT205 FR	68	NONE	B-104191LE-631	A-EE7335-1E		
Current (Amps)		11.5	10.4	7.5	1.60	1.00						V	Hz			°C	°C		°C	feet	LB-Ft <sup>2</sup>	dB(A)						
Torque (ft-lb)		4.0	3.6	5.6	1.14	0.00																						



	R1	R2	X1	X2	Xm
EQUIV CKT (OHMS / PHASE)	0.0000	0.0000	0.0000	0.0000	0.0000

