

PRODUCT INFORMATION PACKET



Model No: 117279.00
Catalog No: 117279.00
0.50 HP Washdown Motor, 3 phase, 3600 RPM, 208-230/460 V, 56C Frame, TENV
3 Phase Motors



Regal and Leeson are trademarks of Regal Beloit Corporation or one of its affiliated companies.
©2020 Regal Beloit Corporation, All Rights Reserved. MC017097E





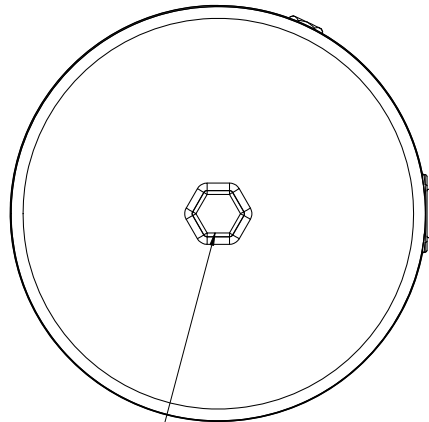
Nameplate Specifications

Output HP	0.50 Hp	Output KW	0.37 kW
Frequency	60 Hz	Voltage	208-230/460 V
Current	1.7-1.6/0.80 A	Speed	3450 rpm
Service Factor	1.15	Phase	3
Efficiency	82.5 %	Power Factor	79
Duty	Continuous	Insulation Class	F
Design Code	B	KVA Code	M
Frame	56C	Enclosure	Totally Enclosed Non Ventilated
Thermal Protection	No	Ambient Temperature	40 °C
Drive End Bearing Size	6205	Opp Drive End Bearing Size	6205
UL	Recognized	CSA	Y
CE	Y	IP Code	56

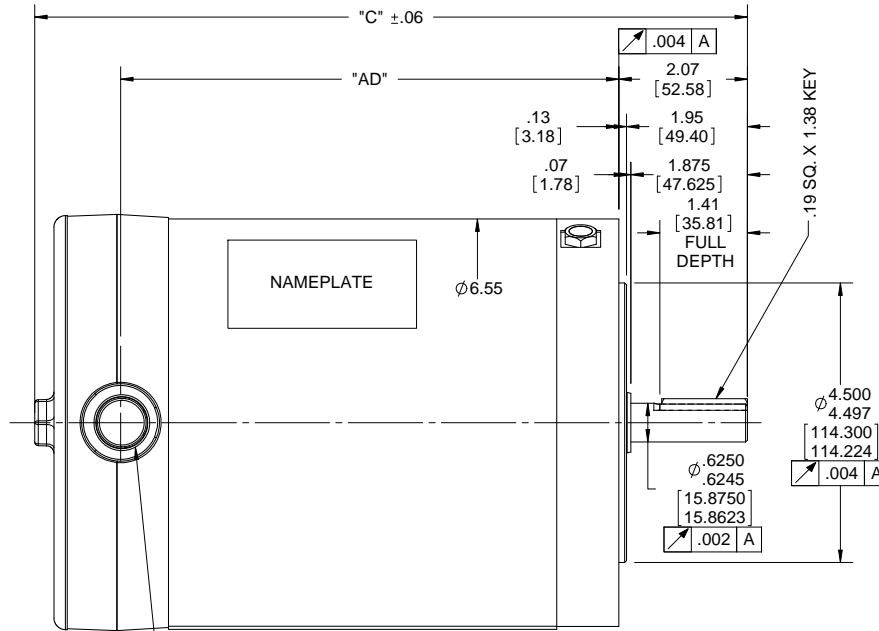
Technical Specifications

Electrical Type	Squirrel Cage Inverter Rated	Starting Method	Line Or Inverter
Poles	2	Rotation	Reversible
Resistance Main	31.2 Ohms	Mounting	Round
Motor Orientation	Horizontal	Drive End Bearing	Ball
Opp Drive End Bearing	Ball	Frame Material	Stainless Steel
Shaft Type	NEMA 56	Overall Length	10.47 in
Frame Length	5.25 in	Shaft Diameter	0.625 in
Shaft Extension	1.88 in	Assembly/Box Mounting	F1 ONLY
Connection Drawing	005010.01	Outline Drawing	028942-525

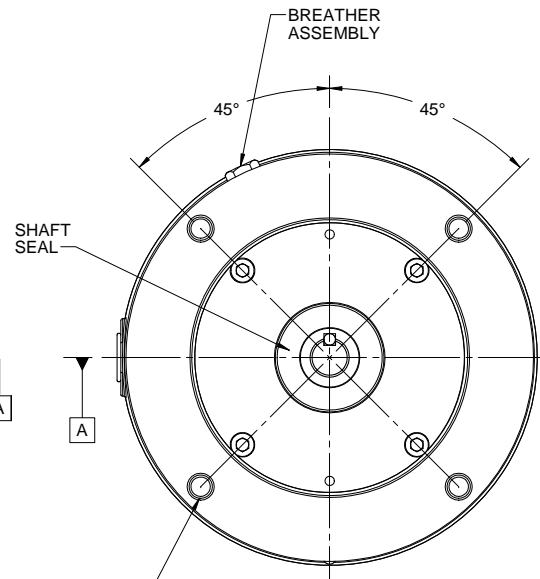
This is an uncontrolled document once printed or downloaded and is subject to change without notice. Date Created:14/10/2020



3/4" HEX DRIVER
FOR COVER REMOVAL



1/2-14 NPT CONDUIT
HOLE (PLUGGED)



(4) 3/8-16 UNC-2B X .56
DEEP ON A Ø5.875 B.C.

DASH NO.	"C"	"AD"
525	10.47	7.00
550	10.72	7.25
575	10.97	7.50
600	11.22	7.75
625	11.47	8.00
650	11.72	8.25
675	11.97	8.50
700	12.22	8.75
750	12.72	9.25
800	13.22	9.75

DRAWING REVISION D	REVISION BY AS	DATE 05/04/2017
ECO ECO-0123079	APPROVED BY JD	DATE 05/04/2017
ECO DESCRIPTION ADDED ITEM # 800 & PLUGGED CONDUIT HOLE <small>© COPYRIGHT REGAL BELOIT AMERICA, INC. ALL RIGHTS RESERVED. PROPRIETARY AND CONFIDENTIAL INFORMATION - THIS DOCUMENT IS THE PROPERTY OF REGAL BELOIT AMERICA, INC. (OWNER) AND CONTAINS OWNER'S PROPRIETARY INFORMATION. ANY PERSON, CORPORATION OR OTHER FIRM RECEIVING IT IS DEEMED, BY RECEIVING IT, TO AGREE THAT IT, AND/OR ANY PART OF IT, SHALL NOT BE DISCLOSED TO ANY PERSON, CORPORATION OR OTHER ENTITY, DUPLICATED, AND/OR USED, EXCEPT AS EXPRESSLY APPROVED IN WRITING IN ADVANCE BY OWNER. THIS DOCUMENT SHALL BE RETURNED TO OWNER UPON REQUEST. IT MAY BE SUBJECT TO CERTAIN RESTRICTIONS UNDER APPLICABLE EXPORT CONTROL LAWS AND REGULATIONS.</small>		

TOLERANCES UNLESS OTHERWISE SPECIFIED:		
DEC.	INCH	mm
.X	±0.1	[±2.5]
.XX	±0.03	[±0.76]
.XXX	±0.005	[±0.127]
.XXXX	±0.0005	[±0.0127]
REMOVE BURRS & BREAK SHARP		
EDGES: .003/.015 [0.076/.381] X 45°		
CORNER FILLETS: R.02 [51]		
MACHINED SURFACES: 200 $\sqrt{5.1}$		
mm SHOWN IN [BRACKETS]		

DRAWN BY LST 1/9/09	DATE
APPROVED BY	DATE
REFERENCE	THIRD ANGLE PROJECTION

Regal Beloit America, Inc.	
DESCRIPTION	
OUTLINE TENV ROUND "C" FACE	
MATERIAL	PROCESS/FINISH
SIZE B	DRAWING NUMBER 028942
	SHEET 1 OF 1

005010-01

VIEW FROM OUTSIDE OF MOTOR AT SWITCH END.



VOLTAGE	L1	L2	L3	JOIN & INSULATE
HIGH	T1	T2	T3	(T4,T7) (T5,T8) (T6,T9)
LOW	T1,T7	T2,T8	T3,T9	T4,T5,T6

				TOLERANCES UNLESS SPECIFIED		Regal Beloit America, Inc.		DRAWN RDW 04/12/02	
				DEC.	INCHES			CHK	
				.X	±.1			APPD	
				.XX	±.01			SCALE 1=1	
				.XXX	±.005	TITLE		REF FIG.2-51	
				.XXXX	±.0005	MAT'L.		FMF	
				ANG	±1/2°	FINISH		PREV	
A UPDATED TO REGAL LOGO SAJ 06/26/15				AJY		TITLE		DRAWING NO.	
NO. REVISION BY & DATE				CHK	ANG	CAD FILE		005010-01	
THIS DRAWING IN DESIGN AND DETAIL IS OUR PROPERTY AND MUST NOT BE USED EXCEPT IN CONNECTION WITH OUR WORK ALL RIGHTS OF DESIGN AND INVENTION ARE RESERVED THIS IS AN ELECTRONICALLY GENERATED DOCUMENT - DO NOT SCALE THIS PRINT				RFP	04/12/02	SIZE		A	
				DIST	BRF-NLV	DRAWING NO.		005010-01	
						REV.		A	



CERTIFICATION DATA SHEET

1051 CHEYENNE AVE.
 GRAFTON, WI 53024
 PH. 262-377-8810

CONN. DIAGRAM: 005010.01

CATALOG #: 117279.00

OUTLINE: 028942-525

MOUNTING: F1 ONLY

WINDING #: T632165 NR 3 B

TYPICAL MOTOR PERFORMANCE DATA

HP	KW	SYNC. RPM	F.L. RPM	FRAME	ENCLOSURE	KVA CODE	DESIGN
1/2&1/2	0.37&0.37	3600	3450&2850	56C	TENV	M	B

PH	Hz	VOLTS	AMPS	START TYPE	DUTY	INSL	S.F.	AMB°C
3	60/50	208-230/460&1190/380	1.7-1.6/8&1.8/9	LINE OR INVERTER	CONTINUOUS	F4	1.15/1.15	40

FULL LOAD EFF:	82.5&70	3/4 LOAD EFF:	77.9	1/2 LOAD EFF:	72.4	GTD. EFF	0	ELEC. TYPE
FULL LOAD PF:	79&84.5	3/4 LOAD PF:	71.9	1/2 LOAD PF:	61.1	SQ CAGE INV RATED		

F.L. TORQUE	LOCKED ROTOR AMPS	L.R. TORQUE	B.D. TORQUE	F.L. RISE°C
0.75 LB-FT	14 / 7	2.53 LB-FT 338 %	3.55 LB-FT 475 %	65

SOUND PRESSURE @ 3 FT.	SOUND POWER	ROTOR WK^2	MAX. WK^2	SAFE STALL TIME	STARTS / HOUR	APPROX. MOTOR WGT
65 DBA	75 DBA	0.04 LB-FT^2	0 LB-FT^2	0 SEC.	0	0 LBS.

*** SUPPLEMENTAL INFORMATION ***

DE BRACKET TYPE	ODE BRACKET TYPE	MOUNT TYPE	ORIENTATION	SEVERE DUTY	HAZARDOUS LOCATION	DRIP COVER	SCREENS	PAINT
C-FACE	STANDARD	ROUND	HORIZONTAL	FALSE	NONE	FALSE	NONE	NO PAINT

BEARINGS DE ODE	GREASE	SHAFT TYPE	SPECIAL DE	SPECIAL ODE	SHAFT MATERIAL	FRAME MATERIAL
	6205					

THERMO-PROTECTORS				THERMISTORS	CONTROL	SPACE HEATERS
TERMOSTATS	PROTECTORS	WDG RTDS	BRG RTDS	NONE	FALSE	NONE VOLTS
NONE	NOT	NONE	NONE			

INVERTER TORQUE: CONSTANT 6:1

INV. HP SPEED RANGE: NONE

ENCODER:	NONE
	NONE NONE
	NONE NONE PPR

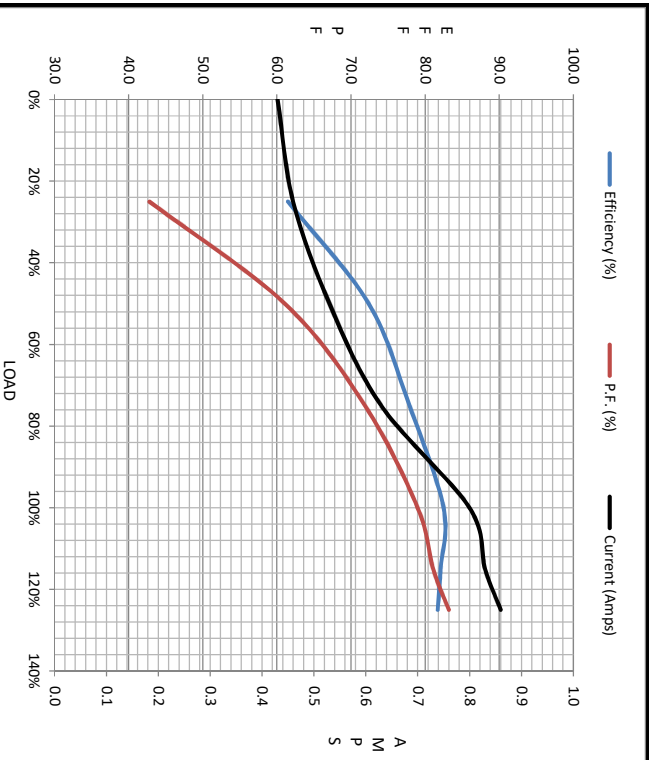
BRAKE:	NONE	NONE
	NONE	P/N NONE
	NONE	NONE
	FT-LB	NONE V NONE HZ

*
 N
 O
 T
 E
 S



		Motor Load Data							
Load		0%	25%	50%	75%	100%	115%	125%	LR
Current (Amps)		0.43	0.46	0.53	0.63	0.80	0.83	0.86	7.0
Torque (ft-lb)		0.00	0.19	0.37	0.56	0.75	0.85	0.94	2.53
RPM		3600	3576	3556	3535	3510	3502	3489	0
Efficiency (%)			61.5	72.4	77.9	82.5	82.1	81.7	
P.F. (%)		24.5	42.8	61.1	71.9	79.0	81.1	83.2	0.0

		Motor Speed Data					Information Block																									
	LR	Pull-Up	BD	Rated	Idle	HP	Sync. RPM	Frame	Enclosure	Construction	Voltage	Frequency	Design	LR Code letter	Service Factor	Temp Rise @ FL	Duty	Ambient	Elevation	Rotor/Shaft wk²	Ref Wdg	Sound Pressure @ 1M	VFD Rating	Outline Dwg	Conn. Diag	Additional Specifications:	EQUIV CKT (OHMS / PHASE)	R1	R2	X1	X2	Xm
Speed (RPM)	0	400	2700	3510	3600	0.5	3600	140	TENV	TTW	208-230/460#190/380	60	B	M	1.15	60	CONT	40 °C	1,000	0.04	T632165 NR	65	CONSTANT 6:1	028942-525	005010.01		0.0000	0.0000	0.0000	0.0000	0.0000	
Current (Amps)	7.0	6.4	4.2	0.80	0.43																											
Torque (ft-lb)	2.53	2.30	3.6	0.75	0.00																											



	R1	R2	X1	X2	Xm
0.0000	0.0000	0.0000	0.0000	0.0000	0.0000

