

PRODUCT INFORMATION PACKET



Model No:
Catalog No: 170009.00
25 HP 1800 230/460 DP 284T RIGID W2
Open Drip Proof (ODP)



Regal and Leeson are trademarks of Regal Beloit Corporation or one of its affiliated companies.
©2019 Regal Beloit Corporation, All Rights Reserved. MC017097E





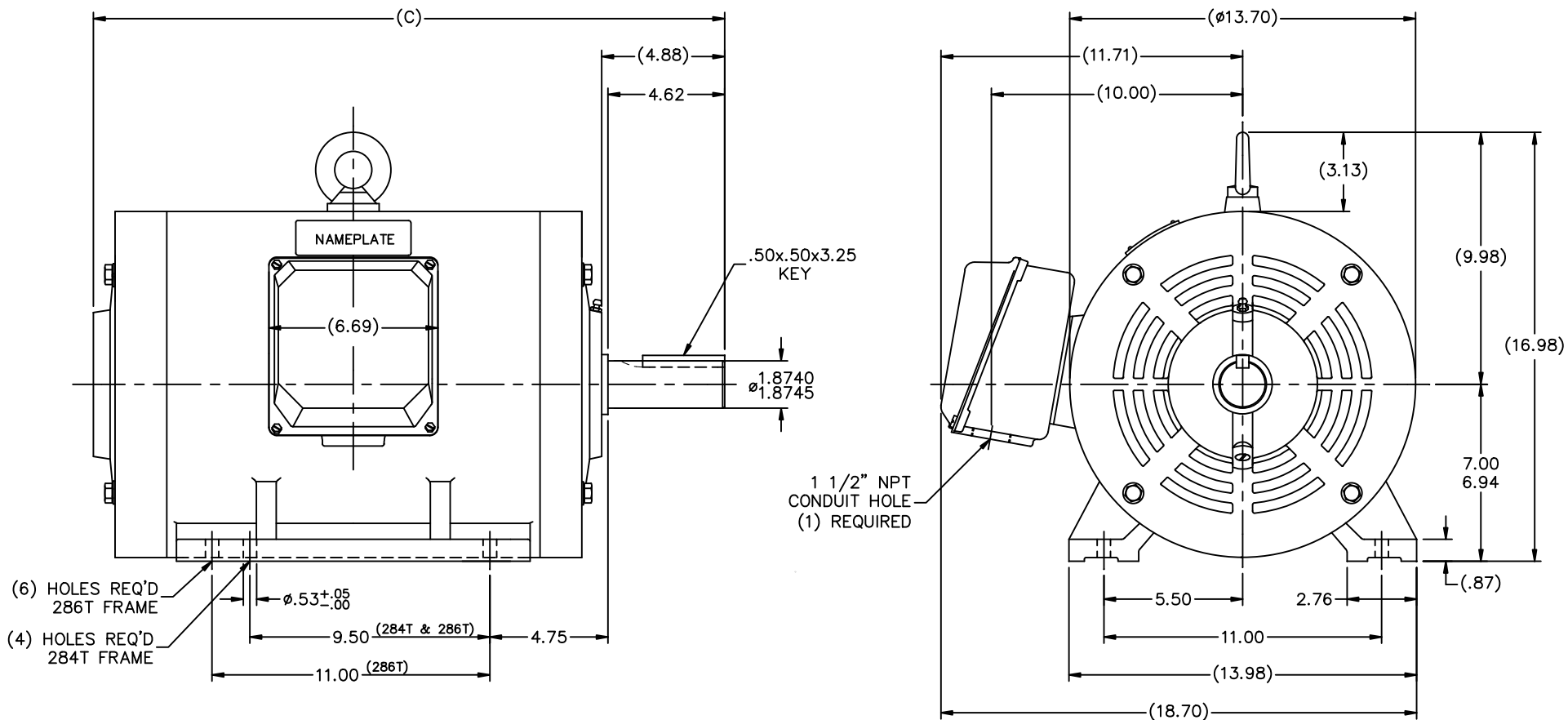
Nameplate Specifications

Output HP	25 Hp	Output KW	18.7 kW
Frequency	60 Hz	Voltage	208-230/460 V
Current	66.0-59.6/29.8 A	Speed	1780 rpm
Service Factor	1.15	Phase	3
Efficiency	93.6 %	Duty	Continuous
Insulation Class	F	Design Code	B
KVA Code	G	Frame	284T
Enclosure	Drip Proof	Overload Protector	No
Ambient Temperature	40 °C	Drive End Bearing Size	6312
Opp Drive End Bearing Size	6211	UL	Recognized
CSA	Y	CE	Y
IP Code	22		

Technical Specifications

Electrical Type	Squirrel Cage Inverter Rated	Starting Method	Wye Start Delta Run Or Inverter
Poles	4	Rotation	Reversible
Mounting	Rigid base	Motor Orientation	Horizontal
Drive End Bearing	Ball	Opp Drive End Bearing	Ball
Frame Material	Cast Iron	Shaft Type	T
Overall Length	23.54 in	Shaft Diameter	1.875 in
Shaft Extension	4.62 in	Assembly/Box Mounting	F1/F2 CAPABLE
Outline Drawing	169552_60LE	Connection Diagram	004172.01

This is an uncontrolled document once printed or downloaded and is subject to change without notice. Date Created: 02/14/2019



(DRAWING MAY NOT BE TO SCALE)

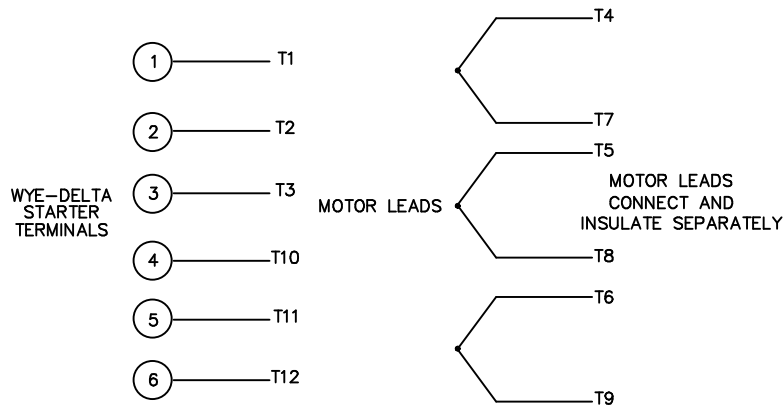
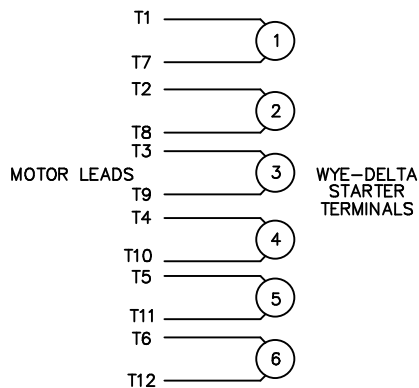
284T	23.54
286T	25.00
FRAME DESIGN	"C"

		TOLERANCES UNLESS SPECIFIED		LEESON ELECTRIC MOTORS GEARMOTORS AND DRIVES	DRAWN MSG 12-06-2005	
NO.	REVISION	DEC.	INCHES		CHK	ML 12-08-2005
		.X	±0	TITLE OUTLINE 280T FR. - DRIP PROOF - RIGID	APPD	GK 12-08-2005
		.XX	±0		SCALE	1=4
		.XXX	±0		REF	169552-60
		.XXXX	±0		FINISH	PREV
THIS DRAWING IN DESIGN AND DETAIL IS OUR PROPERTY AND MUST NOT BE USED EXCEPT IN CONNECTION WITH OUR WORK ALL RIGHTS OF DESIGN AND INVENTION ARE RESERVED THIS IS AN ELECTRONICALLY GENERATED DOCUMENT - DO NOT SCALE THIS PRINT				RFP	12-09-2005	CAD FILE 169552_60le
				DIST	LB	SIZE B
				DRAWING NO. 169552-60LE		PAGE OF
						REV.

WYE - DELTA STARTING USEABLE ON 2,4 AND 6 POLE MOTORS.

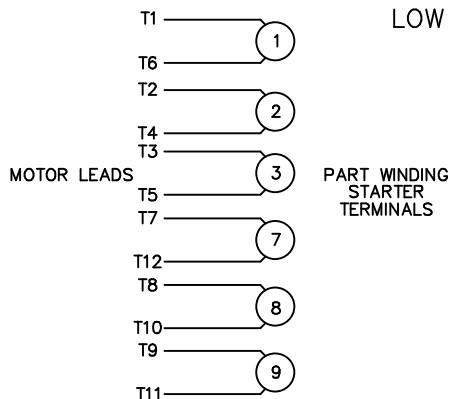
LOW VOLTAGE CONNECTION

HIGH VOLTAGE CONNECTION



REFER TO THE WYE-DELTA STARTER CONNECTION INSTRUCTIONS FOR PROPER CONNECTION OF POWER LINES TO STARTER.

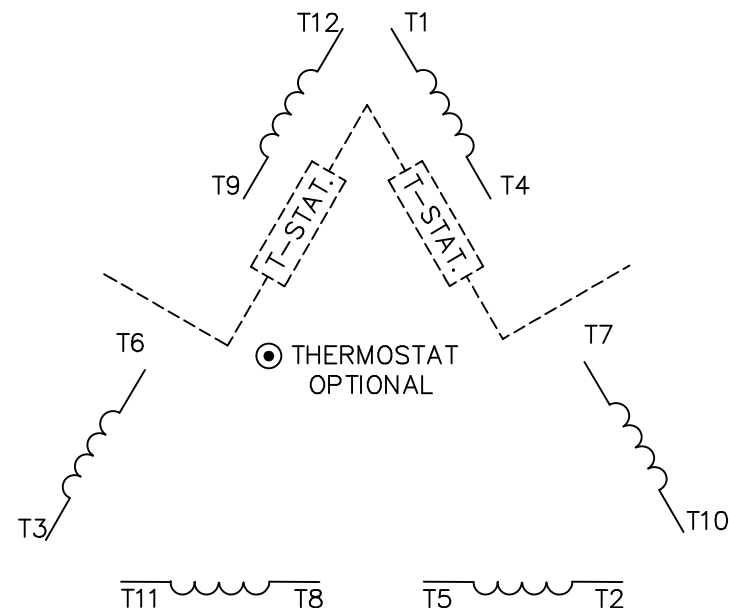
PART WINDING START USABLE ON 4 & 6 POLE MOTORS
LOW VOLTAGE CONNECTION ONLY



REFER TO THE PART WINDING STARTER INSTRUCTIONS FOR PROPER CONNECTION OF POWER LINES TO STARTER.

REFER TO THE CUTLER - HAMMER OR EQUIV. FOR PROPER SELECTION OF OVERLOAD HEATER COILS.

LINE LEADS



ROTATION CAN BE REVERSED BY INTERCHANGING ANY TWO LINE LEADS
● RED LEADS OR P1, P2, FOR N/C THERMOSTAT

ACROSS THE LINE START & RUN

	LINE 1	LINE 2	LINE 3	JOIN & INSULATE SEPARATELY
HIGH VOLT	T1, T12	T2, T10	T3, T11	(T4, T7) (T5, T8) (T6, T9)
LOW VOLT	T1, T6 T7, T12	T2, T4 T8, T10	T3, T5 T9, T11	

TOLERANCES UNLESS SPECIFIED
DEC. INCHES



ELECTRIC MOTORS
GEARMOTORS
AND DRIVES

DRAWN WLW 09/08/77
CHK RPB 09/12/77
APPD JCW 09/12/77

NO.	REVISION	BY & DATE	CHK	ANG	±1/2'
03	REV'D LOW VOLTAGE CONN. LEADS PER ELEC.	BJB 06/07/00	.XX	±.01	
02	ADDED T-STAT. NOTES PER ELECTRICAL	KMM 06/02/98	.XXX	±.005	
01	REDRAWN TO CAD	DBT 06/02/97	.XXXX	±.0005	

TITLE	DELTA - WYE CONNECTION DIAGRAM
MAT'L.	
FINISH	

SCALE	1=1
REF	
FMF	
PREV	

THIS DRAWING IN DESIGN AND DETAIL IS OUR PROPERTY AND MUST NOT BE USED EXCEPT IN CONNECTION WITH OUR WORK ALL RIGHTS OF DESIGN AND INVENTION ARE RESERVED THIS IS AN ELECTRONICALLY GENERATED DOCUMENT - DO NOT SCALE THIS PRINT

RFP	CAD FILE	00417201	SIZE	DRAWING NO.	REV.
DIST			A	004172-01	03