

# PRODUCT INFORMATION PACKET



Model No: C286T17FB5CAA  
Catalog No: 170015.00  
30 HP 1800 230/460 TEFC 286T WATTSaver 2 PREM  
Totally Enclosed Fan Cooled (TEFC)



Regal and Leeson are trademarks of Regal Beloit Corporation or one of its affiliated companies.  
©2019 Regal Beloit Corporation, All Rights Reserved. MC017097E





**Nameplate Specifications**

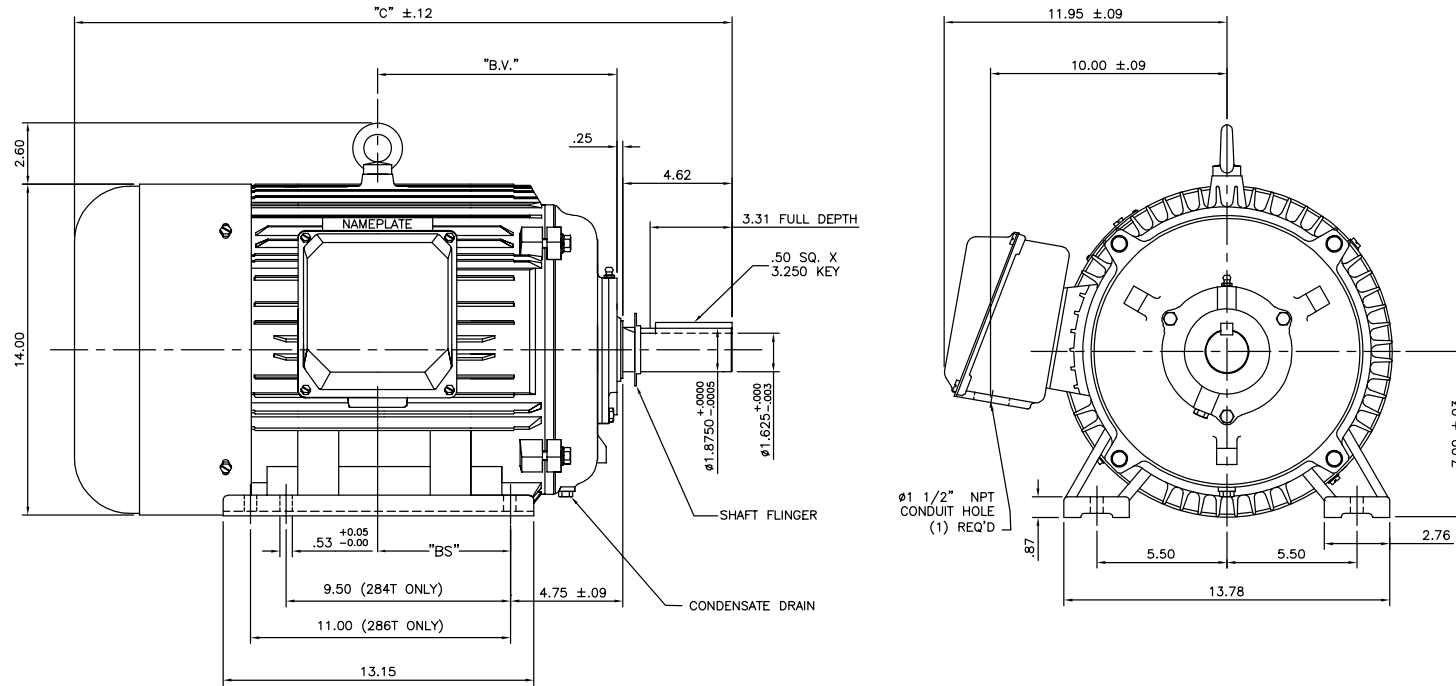
Output HP	<b>30 Hp</b>	Output KW	<b>22.4 kW</b>
Frequency	<b>60 Hz</b>	Voltage	<b>208-230/460 V</b>
Current	<b>77.0-70.0/35.0 A</b>	Speed	<b>1780 rpm</b>
Service Factor	<b>1.15</b>	Phase	<b>3</b>
Efficiency	<b>94.1 %</b>	Duty	<b>Continuous</b>
Insulation Class	<b>F</b>	Design Code	<b>B</b>
KVA Code	<b>H</b>	Frame	<b>286T</b>
Enclosure	<b>Totally Enclosed Fan Cooled</b>	Overload Protector	<b>No</b>
Ambient Temperature	<b>40 °C</b>	Drive End Bearing Size	<b>6311</b>
Opp Drive End Bearing Size	<b>6309</b>	UL	<b>Recognized</b>
CSA	<b>Y</b>	CE	<b>Y</b>
IP Code	<b>43</b>		

**Technical Specifications**

Electrical Type	<b>Squirrel Cage Induction Run</b>	Starting Method	<b>Wye Start Delta Run</b>
Poles	<b>4</b>	Rotation	<b>Reversible</b>
Mounting	<b>Rigid base</b>	Motor Orientation	<b>Horizontal</b>
Drive End Bearing	<b>Ball</b>	Opp Drive End Bearing	<b>Ball</b>
Frame Material	<b>Cast Iron</b>	Shaft Type	<b>T</b>
Overall Length	<b>27.83 in</b>	Shaft Diameter	<b>1.875 in</b>
Shaft Extension	<b>4.62 in</b>	Assembly/Box Mounting	<b>F1/F2 CAPABLE</b>
Outline Drawing	<b>16953960-286T</b>	Connection Diagram	<b>004172.03</b>

**This is an uncontrolled document once printed or downloaded and is subject to change without notice. Date Created: 02/14/2019**

169539-60



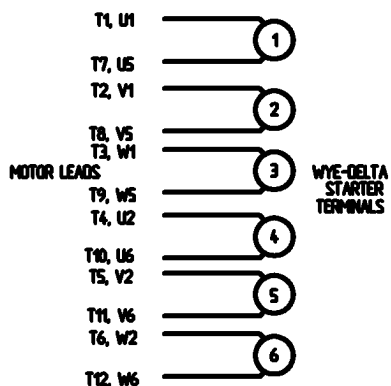
NOTE: 286T HAS 6 MTG. HOLES, USING 284T AND 286T LOCATIONS

FRAME DESIGN	"C"	"BV"	"BS"
284T	26.26	9.65	
286T	27.83	10.43	5.51

		TOLERANCES UNLESS SPECIFIED		REGAL REGAL-BELOIT CORPORATION		DRAWN CJK 07/16/01	
		DEC.	INCHES			CHK	
		X	±.1			APPD	
03	ECO-0048910, REVISED 'BA' DIM.	RFH	04/04/14	EH	.XX ±.03	TITLE OUTLINE-280T FRAME, TEFC-RIGID	
02	REDRAWN TO CURRENT CAD STANDARDS	CJK	07/13/99	.XXX	±.005	NEW CONDUIT BOX	
01	ADDED HOLE FOR 286T BASE	JJK	11/01/01	.XXXX	±.0005	MAT'L. CAST IRON	
NO.	REVISION	BY & DATE	CHK	ANG	±1/2'	FINISH	PREV
THIS DRAWING IN DESIGN AND DETAIL IS OUR PROPERTY AND MUST NOT BE USED EXCEPT IN CONNECTION WITH OUR WORK. ALL RIGHTS OF DESIGN AND INVENTION ARE RESERVED. THIS IS AN ELECTRONICALLY GENERATED DOCUMENT - DO NOT SCALE THIS PRINT				RFP		CAD FILE	SIZE
				DIST			DRAWING NO. PAGE OF REV.
							A 169539-60 03

WYE - DELTA STARTING USEABLE ON 2,4 AND 6 POLE MOTORS.

LOW VOLTAGE CONNECTION

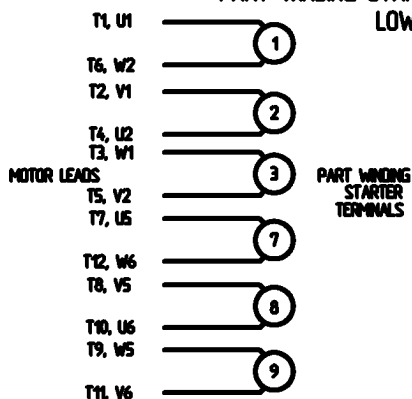


HIGH VOLTAGE CONNECTION



REFER TO THE WYE-DELTA STARTER CONNECTION INSTRUCTIONS FOR PROPER CONNECTION OF POWER LINES TO STARTER.

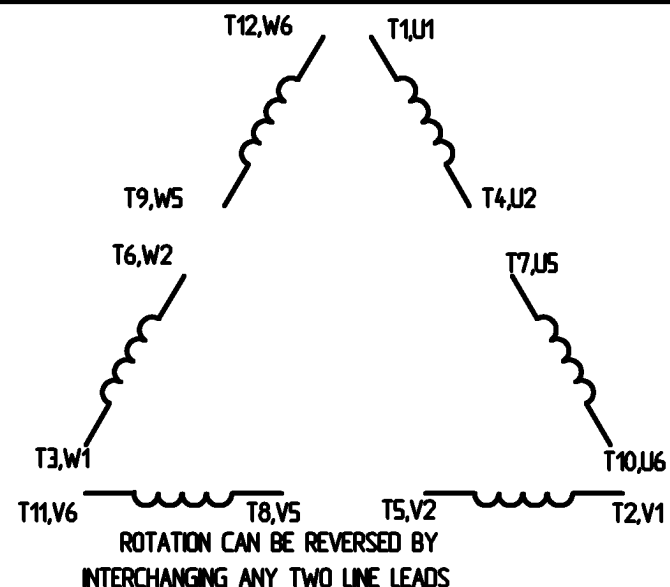
PART WINDING START USABLE ON 4 & 6 POLE MOTORS  
LOW VOLTAGE CONNECTION ONLY



REFER TO THE PART WINDING STARTER INSTRUCTIONS FOR PROPER CONNECTION OF POWER LINES TO STARTER.

REFER TO THE CUTLER - HAMMER OR EQUIV. FOR PROPER SELECTION OF OVERLOAD HEATER COILS.

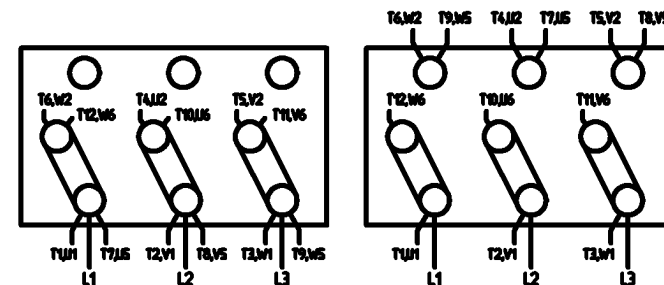
LINE LEADS



12 LEAD DELTA CONNECTION ACROSS THE LINE START  
(FOR Y START DELTA RUN, REMOVE THE JUMPERS)

LOW VOLTAGE  
MUST BE REWIRED  
AS SHOWN

HIGH VOLTAGE  
FACTORY WIRED FOR HIGH  
VOLTAGE AS SHOWN



				TOLERANCES UNLESS SPECIFIED		<b>ELECTRIC MOTORS GEARMOTORS AND DRIVES</b>	DRAWN <b>CW 08/28/02</b> CHK APPD SCALE <b>1:1</b> REF FMF PREV
				DEC.	INCHES		TITLE <b>DELTA - WYE CONNECTION DIAGRAM IEC CAST IRON MOTORS</b>
				X	+ .1		
				XX	+ .01		
				XXX	+ .005		
				XXXX	+ .0005	MAT'L	
NO.	REVISION	BY & DATE	CHK	ANG	+ 1/2°	FINISH	PREV
THIS DRAWING IN DESIGN AND DETAIL IS OUR PROPERTY AND MUST NOT BE USED EXCEPT IN CONNECTION WITH OUR WORK. ALL RIGHTS OF DESIGN AND INVENTION ARE RESERVED. THIS IS AN ELECTRONICALLY GENERATED DOCUMENT - DO NOT SCALE THIS PRINT.				RFP	CAD FILE	00417203	SIZE <b>A</b>
				DST			DRAWING NO. <b>004172-03</b>
							REV.

```
ERROR: syntaxerror  
OFFENDING COMMAND: --nostringval--
```

```
STACK :
```

```
/CB  
-dictionary-  
/Pscript_WinNT_Compact  
-dictionary-
```