

# PRODUCT INFORMATION PACKET



Model No: C326T34FB4DAA  
Catalog No: 170041.00  
50 HP 3600 230/460 TEFC 326TS PREM EFF  
Totally Enclosed Fan Cooled (TEFC)



Regal and Leeson are trademarks of Regal Beloit Corporation or one of its affiliated companies.  
©2019 Regal Beloit Corporation, All Rights Reserved. MC017097E





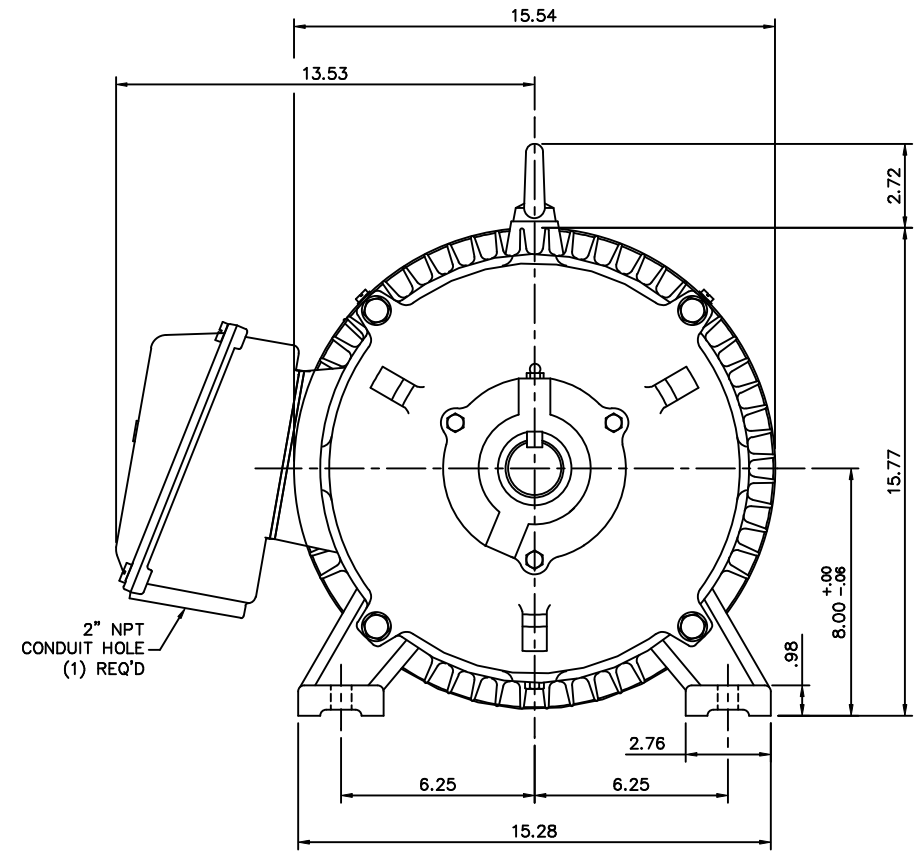
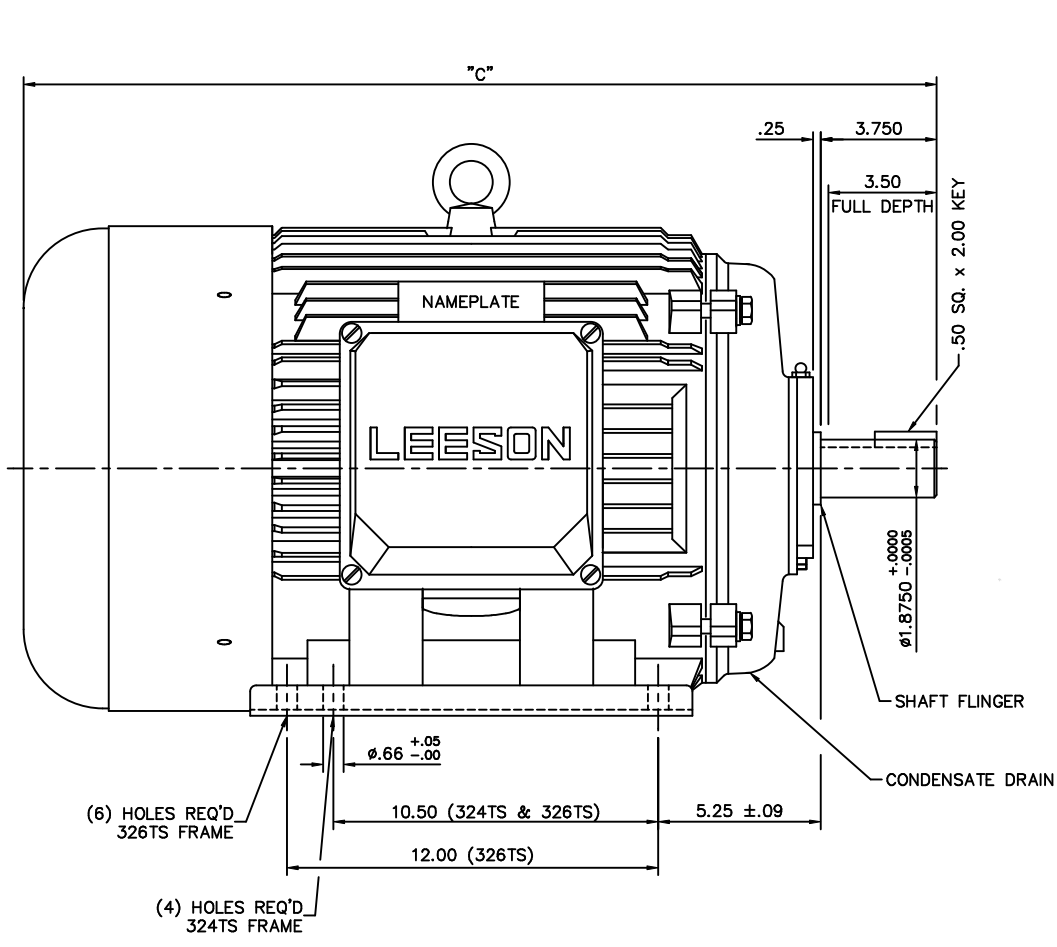
### Nameplate Specifications

Output HP	<b>50 Hp</b>	Output KW	<b>37.0 kW</b>
Frequency	<b>60 Hz</b>	Voltage	<b>208-230/460 V</b>
Current	<b>123.0-112.0/56.0 A</b>	Speed	<b>3565 rpm</b>
Service Factor	<b>1.15</b>	Phase	<b>3</b>
Efficiency	<b>94.1 %</b>	Duty	<b>Continuous</b>
Insulation Class	<b>F</b>	Design Code	<b>B</b>
KVA Code	<b>G</b>	Frame	<b>326TS</b>
Enclosure	<b>Totally Enclosed Fan Cooled</b>	Overload Protector	<b>No</b>
Ambient Temperature	<b>40 °C</b>	Drive End Bearing Size	<b>6312</b>
Opp Drive End Bearing Size	<b>6312</b>	UL	<b>Recognized</b>
CSA	<b>Y</b>	CE	<b>Y</b>
IP Code	<b>43</b>		

### Technical Specifications

Electrical Type	<b>Squirrel Cage Induction Run</b>	Starting Method	<b>Wye Start Delta Run</b>
Poles	<b>2</b>	Rotation	<b>Reversible</b>
Mounting	<b>Rigid base</b>	Motor Orientation	<b>Horizontal</b>
Drive End Bearing	<b>Ball</b>	Opp Drive End Bearing	<b>Ball</b>
Frame Material	<b>Cast Iron</b>	Shaft Type	<b>TS</b>
Overall Length	<b>29.53 in</b>	Shaft Diameter	<b>1.875 in</b>
Shaft Extension	<b>3.75 in</b>	Assembly/Box Mounting	<b>F1/F2 CAPABLE</b>
Outline Drawing	<b>16954260</b>	Connection Diagram	<b>004172.03</b>

This is an uncontrolled document once printed or downloaded and is subject to change without notice. Date Created: 02/14/2019

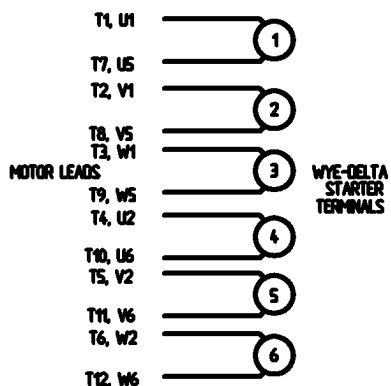


FRAME DESIGN	"C"
324TS	28.03
326TS	29.53

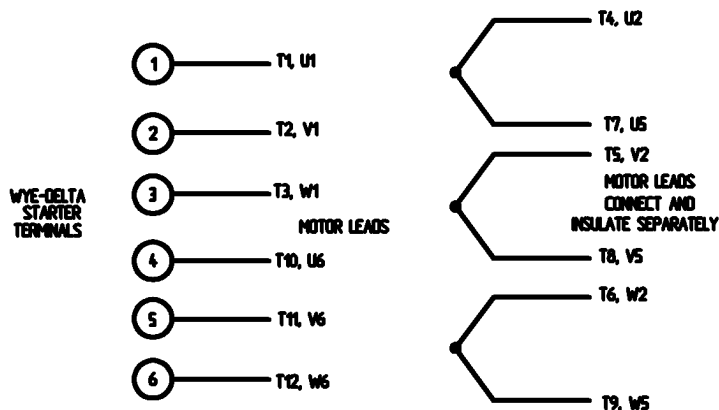
				TOLERANCES UNLESS OTHERWISE SPECIFIED		<b>LEESON</b> ELECTRIC CORPORATION			
				DECIMALS		DRAWN JJK 03/29/99 TITLE OUTLINE - 320TS FRAME			
				.00 $\pm .06$		CH'K'D.			
				.000 $\pm .005$		APPR. PG 03/31/99 MAT'L. CAST IRON			
01	ADDED HOLES FOR 326TS BASE	JJK	07/15/99	.0000 $\pm .0005$		SCALE 1=4			
NO.	REVISION	BY	DATE	FRACTIONS $\pm 1/64$		REF. 169504		FINISH	
THIS DRAWING IN DESIGN AND DETAIL IS OUR PROPERTY AND MUST NOT BE USED EXCEPT IN CONNECTION WITH OUR WORK ALL RIGHTS OF DESIGN AND INVENTION ARE RESERVED				ANGLES $\pm 1/2'$		FINISH		SIZE B	
				INCH/MM		FMF		DRAWING NO. 169542-60	

WYE - DELTA STARTING USEABLE ON 2,4 AND 6 POLE MOTORS.

LOW VOLTAGE CONNECTION

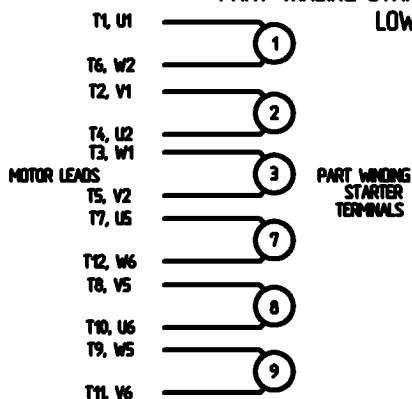


HIGH VOLTAGE CONNECTION



REFER TO THE WYE-DELTA STARTER CONNECTION INSTRUCTIONS FOR PROPER CONNECTION OF POWER LINES TO STARTER.

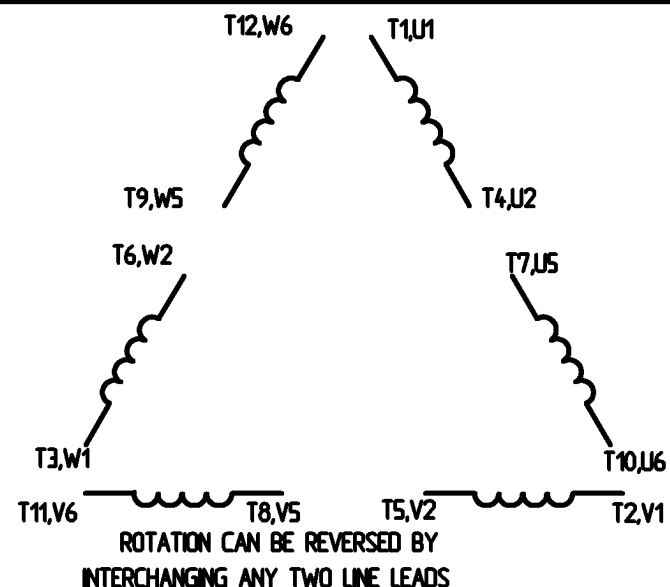
PART WINDING START USABLE ON 4 & 6 POLE MOTORS  
LOW VOLTAGE CONNECTION ONLY



REFER TO THE PART WINDING STARTER INSTRUCTIONS FOR PROPER CONNECTION OF POWER LINES TO STARTER.

REFER TO THE CUTLER - HAMMER OR EQUIV. FOR PROPER SELECTION OF OVERLOAD HEATER COILS.

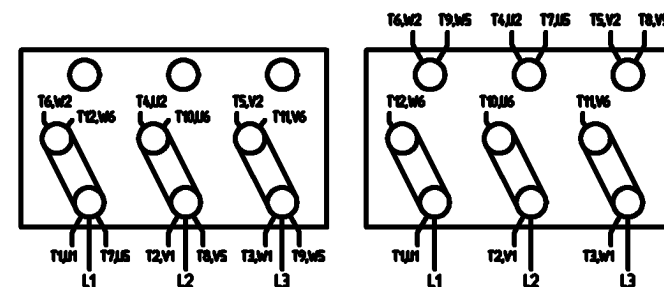
LINE LEADS



12 LEAD DELTA CONNECTION ACROSS THE LINE START  
(FOR Y START DELTA RUN, REMOVE THE JUMPERS)

LOW VOLTAGE  
MUST BE REWIRED  
AS SHOWN

HIGH VOLTAGE  
FACTORY WIRED FOR HIGH  
VOLTAGE AS SHOWN



				TOLERANCES UNLESS SPECIFIED			DRAWN C/W 08/28/02		
				DEC.	INCHES		CHK		
				X	+ .1		APPO		
				XX	+ .01		SCALE 1:1		
				XXX	+ .005		REF		
				XXXX	+ .0005	FMF			
NO.	REVISION	BY & DATE	CHK	ANG	+ 1/2°	FINISH	PREV		
THIS DRAWING IN DESIGN AND DETAIL IS OUR PROPERTY AND MUST NOT BE USED EXCEPT IN CONNECTION WITH OUR WORK. ALL RIGHTS OF DESIGN AND INVENTION ARE RESERVED. THIS IS AN ELECTRONICALLY GENERATED DOCUMENT - DO NOT SCALE THIS PRINT.				RFP	CAD FILE	00417203	SIZE A	DRAWING NO. 004172-03	REV.
				DST					

```
ERROR: syntaxerror  
OFFENDING COMMAND: --nostringval--
```

```
STACK :
```

```
/CB  
-dictionary-  
/Pscript_WinNT_Compact  
-dictionary-
```