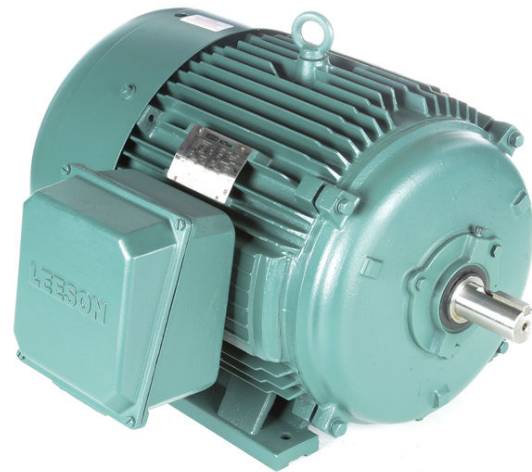


# PRODUCT INFORMATION PACKET



Model No: C364T34FB4GAA  
Catalog No: 170043.00  
60,3575,TEFC,364,3/60/208-230/460  
Totally Enclosed Fan Cooled (TEFC)



Regal and Leeson are trademarks of Regal Beloit Corporation or one of its affiliated companies.  
©2019 Regal Beloit Corporation, All Rights Reserved. MC017097E





### Nameplate Specifications

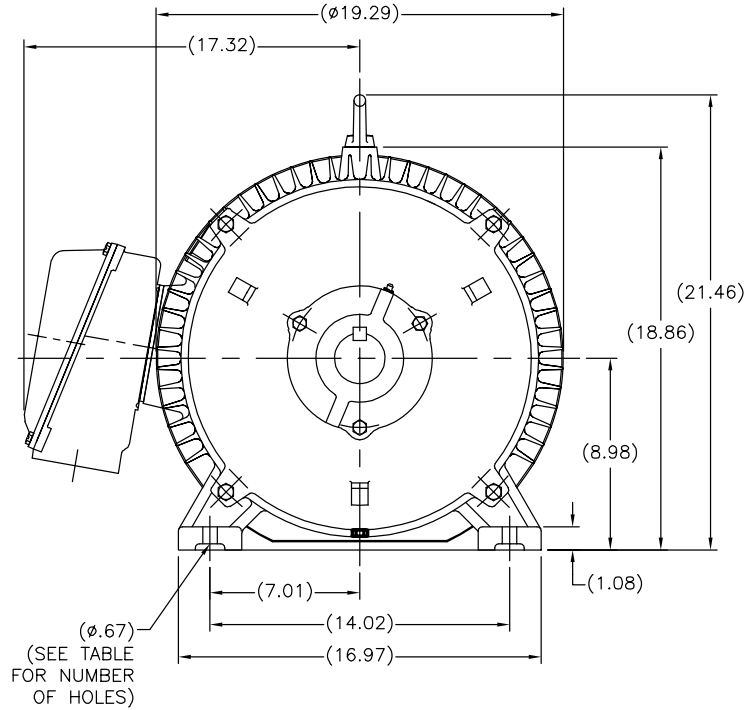
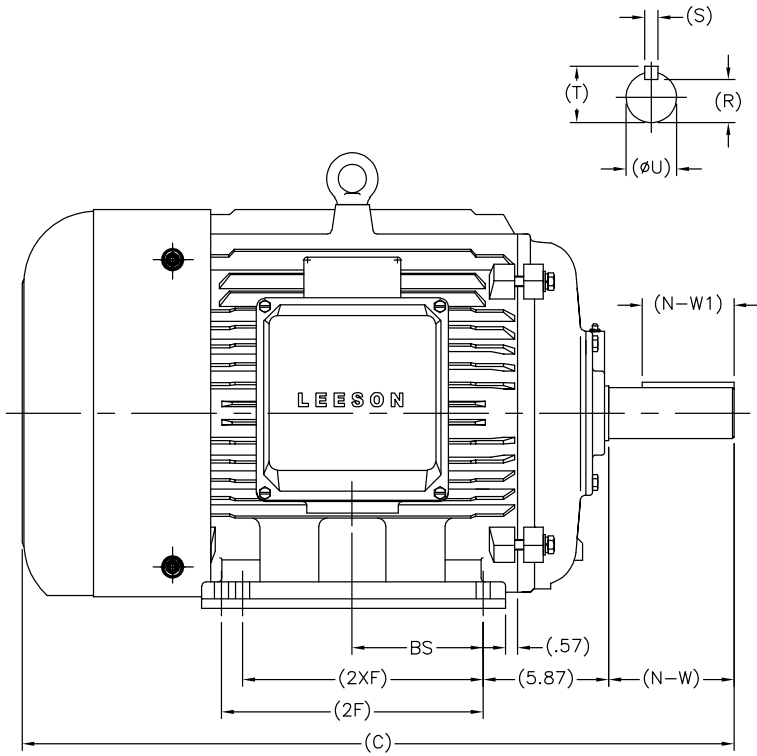
Output HP	<b>60 Hp</b>	Output KW	<b>45.0 kW</b>
Frequency	<b>60 Hz</b>	Voltage	<b>208-230/460 V</b>
Current	<b>150.0-134.0/67.0 A</b>	Speed	<b>3570 rpm</b>
Service Factor	<b>1.15</b>	Phase	<b>3</b>
Efficiency	<b>94.1 %</b>	Duty	<b>Continuous</b>
Insulation Class	<b>F</b>	Design Code	<b>B</b>
KVA Code	<b>F</b>	Frame	<b>364TS</b>
Enclosure	<b>Totally Enclosed Fan Cooled</b>	Overload Protector	<b>No</b>
Ambient Temperature	<b>40 °C</b>	Drive End Bearing Size	<b>6313</b>
Opp Drive End Bearing Size	<b>6313</b>	UL	<b>Recognized</b>
CSA	<b>Y</b>	CE	<b>Y</b>
IP Code	<b>43</b>		

### Technical Specifications

Electrical Type	<b>Squirrel Cage Induction Run</b>	Starting Method	<b>Wye Start Delta Run</b>
Poles	<b>2</b>	Rotation	<b>Reversible</b>
Mounting	<b>Rigid base</b>	Motor Orientation	<b>Horizontal</b>
Drive End Bearing	<b>Ball</b>	Opp Drive End Bearing	<b>Ball</b>
Frame Material	<b>Cast Iron</b>	Shaft Type	<b>TS</b>
Overall Length	<b>30.20 in</b>	Shaft Diameter	<b>1.875 in</b>
Shaft Extension	<b>3.74 in</b>	Assembly/Box Mounting	<b>F1/F2 CAPABLE</b>
Outline Drawing	<b>SS622180LE</b>	Connection Diagram	<b>004172.03</b>

This is an uncontrolled document once printed or downloaded and is subject to change without notice. Date Created: 02/14/2019

SS622180LE

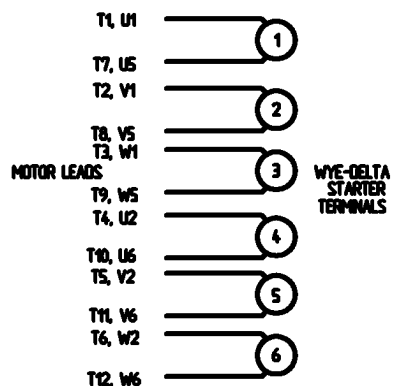


											TOLERANCES UNLESS SPECIFIED		REGAL REGAL-BELOIT CORPORATION		DRAWN MSG 02/13/2007	
											DEC.	INCHES		CHK	ML 02/16/2007	
											.X	±.1		APPD	SB 02/23/2007	
											.XX	±.03		SCALE	N/A	
											.XXX	±.005		REF		
											.XXXX	±.0005		FINISH	HEBEL	
											CHK	ANG ±7°30'		PREV		
											RFP	CAD FILE SS622180LE		SIZE	DRAWING NO. PAGE 1 OF 1 REV.	
											DIST			A	SS622180LE 1	
NT364TS-2	30.20	11.26	---	4												
NT365TS-2	31.18	12.24	11.26	6	3.74	2.05	1.87	1.59	0.50	2.09	---					
NT364T-4, 6	32.32	11.26	---	4												
NT365T-4, 6	33.31	12.24	11.26	6	5.87	4.29	2.37	2.01	0.63	2.64	5.60	6.10				
FRAME	C	2F	2XF	HOLES	N-W	N-W1	øU	R	S	T	BS					

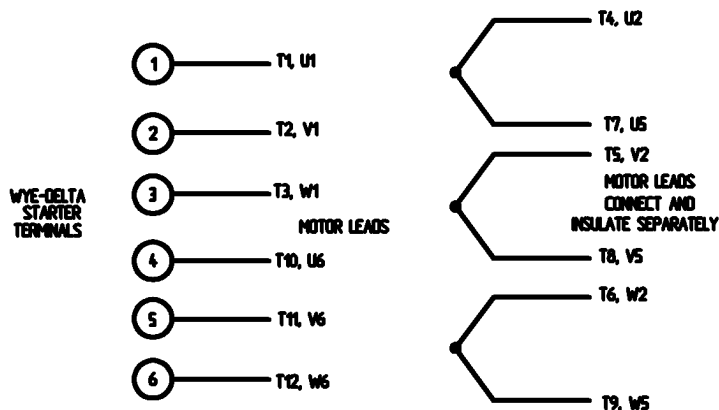
THIS DRAWING IN DESIGN AND DETAIL IS OUR PROPERTY AND MUST NOT BE USED EXCEPT IN CONNECTION WITH OUR WORK ALL RIGHTS OF DESIGN AND INVENTION ARE RESERVED THIS IS AN ELECTRONICALLY GENERATED DOCUMENT - DO NOT SCALE THIS PRINT

WYE - DELTA STARTING USEABLE ON 2,4 AND 6 POLE MOTORS.

LOW VOLTAGE CONNECTION

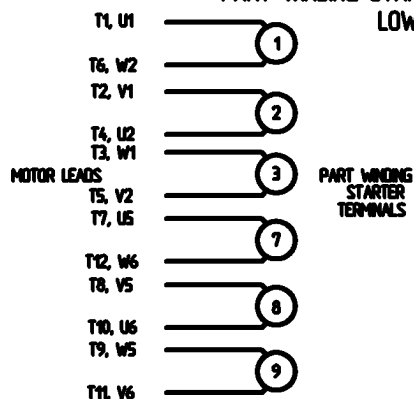


HIGH VOLTAGE CONNECTION



REFER TO THE WYE-DELTA STARTER CONNECTION INSTRUCTIONS FOR PROPER CONNECTION OF POWER LINES TO STARTER.

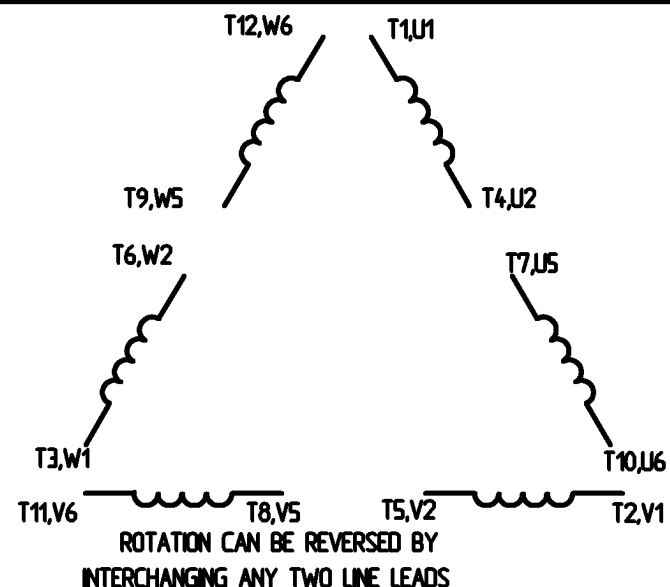
PART WINDING START USABLE ON 4 & 6 POLE MOTORS  
LOW VOLTAGE CONNECTION ONLY



REFER TO THE PART WINDING STARTER INSTRUCTIONS FOR PROPER CONNECTION OF POWER LINES TO STARTER.

REFER TO THE CUTLER - HAMMER OR EQUIV. FOR PROPER SELECTION OF OVERLOAD HEATER COILS.

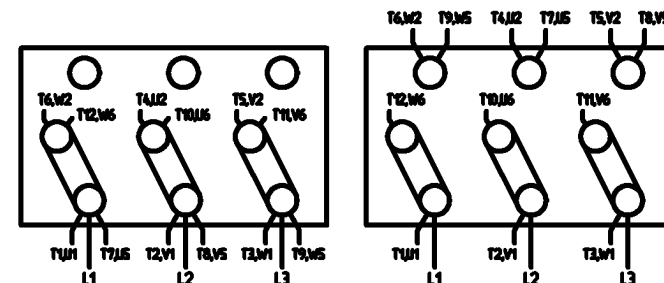
LINE LEADS



12 LEAD DELTA CONNECTION ACROSS THE LINE START  
(FOR Y START DELTA RUN, REMOVE THE JUMPERS)

LOW VOLTAGE  
MUST BE REWIRED AS SHOWN

HIGH VOLTAGE  
FACTORY WIRED FOR HIGH VOLTAGE AS SHOWN



		TOLERANCES UNLESS SPECIFIED		<p><b>ELECTRIC MOTORS GEARMOTORS AND DRIVES</b></p>	DRAWN	CJW 08/28/02		
		DEC.	INCHES		CHK			
		X	+ .1		APPO			
		XX	+ .01		SCALE	1:1		
		XXX	+ .005		REF			
		XXXX	+ .0005	MAT'L				
NO.	REVISION	BY & DATE	CHK	ANG	FINISH	PREV		
THIS DRAWING IN DESIGN AND DETAIL IS OUR PROPERTY AND MUST NOT BE USED EXCEPT IN CONNECTION WITH OUR WORK. ALL RIGHTS OF DESIGN AND INVENTION ARE RESERVED. THIS IS AN ELECTRONICALLY GENERATED DOCUMENT - DO NOT SCALE THIS PRINT.			RFP	CAD FILE	00417203	SIZE	DRAWING NO.	REV.
			DST			A	004172-03	

```
ERROR: syntaxerror  
OFFENDING COMMAND: --nostringval--
```

```
STACK :
```

```
/CB  
-dictionary-  
/Pscript_WinNT_Compact  
-dictionary-
```