

PRODUCT INFORMATION PACKET



Model No: C365T34FB4GAA
Catalog No: 170045.00
75,3575,TEFC,365,3/60/230/460
Totally Enclosed Fan Cooled (TEFC)



Regal and Leeson are trademarks of Regal Beloit Corporation or one of its affiliated companies.
©2019 Regal Beloit Corporation, All Rights Reserved. MC017097E





Nameplate Specifications

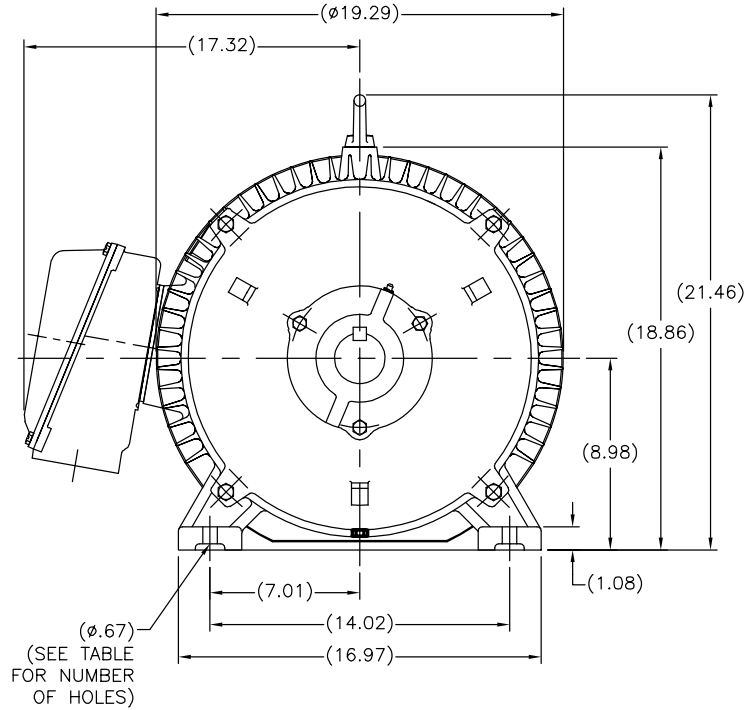
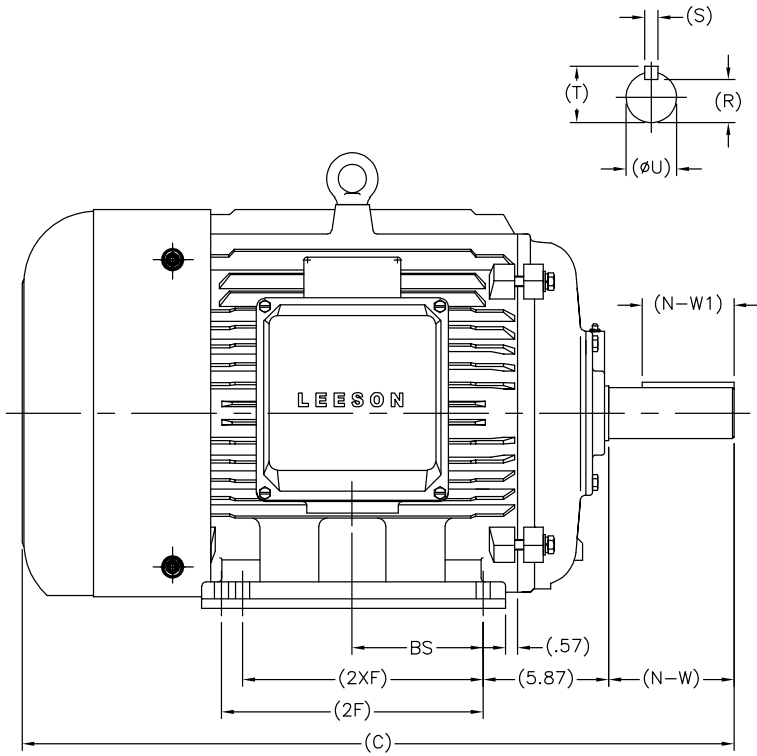
Output HP	75 Hp	Output KW	56.0 kW
Frequency	60 Hz	Voltage	230/460 V
Current	167.0/83.5 A	Speed	3570 rpm
Service Factor	1.15	Phase	3
Efficiency	94.5 %	Duty	Continuous
Insulation Class	F	Design Code	B
KVA Code	F	Frame	365TS
Enclosure	Totally Enclosed Fan Cooled	Overload Protector	No
Ambient Temperature	40 °C	Drive End Bearing Size	6313
Opp Drive End Bearing Size	6313	UL	Recognized
CSA	Y	CE	Y
IP Code	43		

Technical Specifications

Electrical Type	Squirrel Cage Induction Run	Starting Method	Wye Start Delta Run
Poles	2	Rotation	Reversible
Mounting	Rigid base	Motor Orientation	Horizontal
Drive End Bearing	Ball	Opp Drive End Bearing	Ball
Frame Material	Cast Iron	Shaft Type	TS
Overall Length	31.18 in	Shaft Diameter	1.875 in
Shaft Extension	2.05 in	Assembly/Box Mounting	F1/F2 CAPABLE
Outline Drawing	SS622180LE	Connection Diagram	004172.03

This is an uncontrolled document once printed or downloaded and is subject to change without notice. Date Created: 02/14/2019

SS622180LE



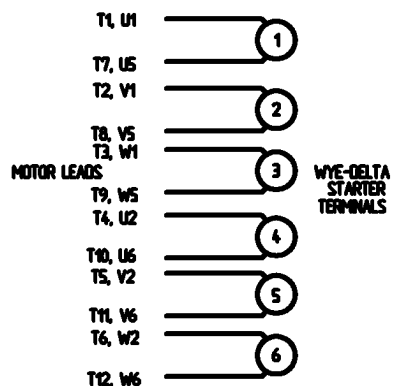
FRAME	C	2F	2XF	HOLES	N-W	N-W1	øU	R	S	T	BS
NT364TS-2	30.20	11.26	---	4	---	---	---	---	---	---	---
NT365TS-2	31.18	12.24	11.26	6	3.74	2.05	1.87	1.59	0.50	2.09	---
NT364T-4, 6	32.32	11.26	---	4	---	---	---	---	---	---	---
NT365T-4, 6	33.31	12.24	11.26	6	5.87	4.29	2.37	2.01	0.63	2.64	5.60 6.10

		TOLERANCES UNLESS SPECIFIED		REGAL REGAL-BELOIT CORPORATION		DRAWN MSG 02/13/2007	
DEC.	INCHES	CHK	ML	CHK	ML	CHK	ML
.X	±.1						
.XX	±.03						
.XXX	±.005						
.XXXX	±.0005						
ANG	±7'30"						
RFP							
DIST							

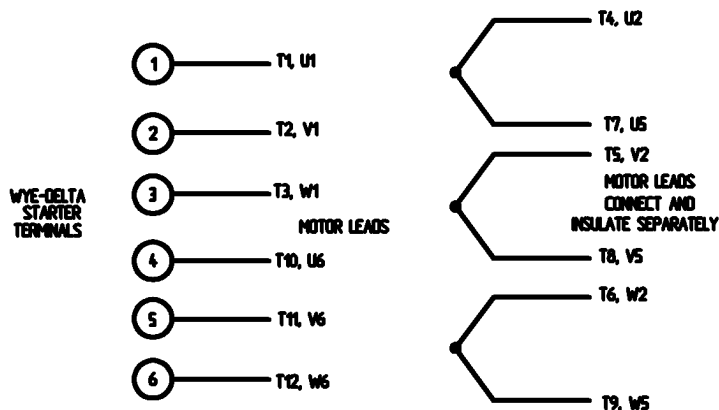
1	ADDED BS DIM. UPDATED TITLE BLOCK, ECO-0048910	RFH 04/07/2014	EH	.XXXX	±.0005	MAT'L	
NO.	REVISION	BY & DATE	CHK	ANG	±7'30"	FINISH	
THIS DRAWING IN DESIGN AND DETAIL IS OUR PROPERTY AND MUST NOT BE USED EXCEPT IN CONNECTION WITH OUR WORK ALL RIGHTS OF DESIGN AND INVENTION ARE RESERVED THIS IS AN ELECTRONICALLY GENERATED DOCUMENT - DO NOT SCALE THIS PRINT				CAD FILE SS622180LE		SIZE	DRAWING NO. PAGE 1 OF 1 REV.
						A	SS622180LE 1

WYE - DELTA STARTING USEABLE ON 2,4 AND 6 POLE MOTORS.

LOW VOLTAGE CONNECTION

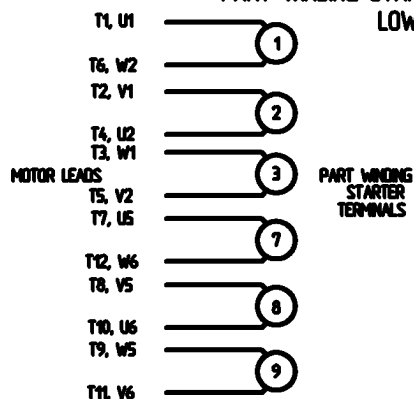


HIGH VOLTAGE CONNECTION



REFER TO THE WYE-DELTA STARTER CONNECTION INSTRUCTIONS FOR PROPER CONNECTION OF POWER LINES TO STARTER.

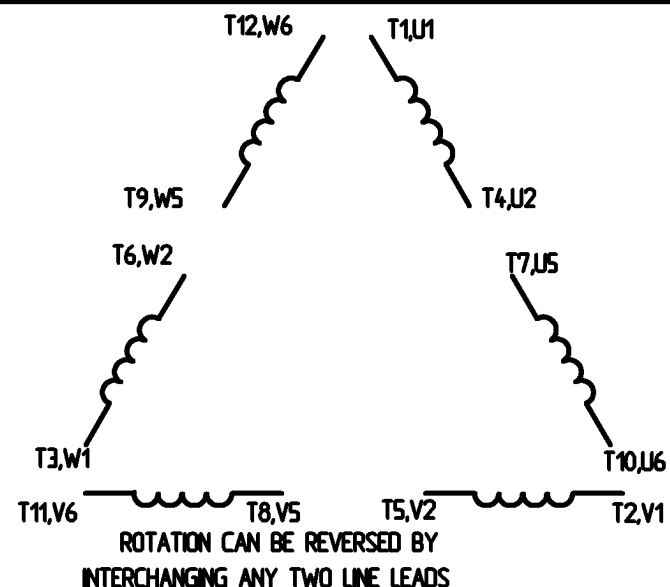
PART WINDING START USABLE ON 4 & 6 POLE MOTORS
LOW VOLTAGE CONNECTION ONLY



REFER TO THE PART WINDING STARTER INSTRUCTIONS FOR PROPER CONNECTION OF POWER LINES TO STARTER.

REFER TO THE CUTLER - HAMMER OR EQUIV. FOR PROPER SELECTION OF OVERLOAD HEATER COILS.

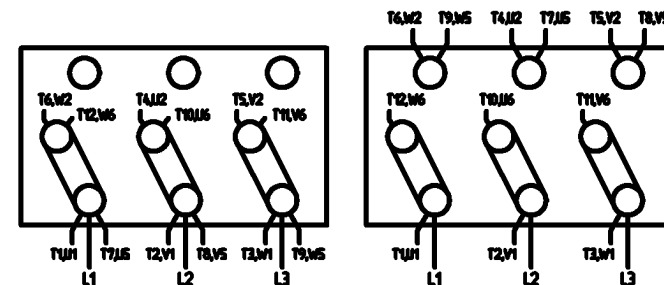
LINE LEADS



12 LEAD DELTA CONNECTION ACROSS THE LINE START
(FOR Y START DELTA RUN, REMOVE THE JUMPERS)

LOW VOLTAGE
MUST BE REWIRED
AS SHOWN

HIGH VOLTAGE
FACTORY WIRED FOR HIGH
VOLTAGE AS SHOWN



				TOLERANCES UNLESS SPECIFIED		<p>ELECTRIC MOTORS GEARMOTORS AND DRIVES</p>	DRAWN	CW 08/28/02	
				DEC.	INCHES		CHK		
				X	+ .1		APPO		
				XX	+ .01		SCALE	1:1	
				XXX	+ .005		REF		
				XXXX	+ .0005	FINISH			
NO.	REVISION	BY & DATE	CHK	ANG	+ 1/2°		PREV		
THIS DRAWING IN DESIGN AND DETAIL IS OUR PROPERTY AND MUST NOT BE USED EXCEPT IN CONNECTION WITH OUR WORK. ALL RIGHTS OF DESIGN AND INVENTION ARE RESERVED. THIS IS AN ELECTRONICALLY GENERATED DOCUMENT - DO NOT SCALE THIS PRINT.				RFP	CAD FILE	00417203	SIZE	DRAWING NO.	REV.
				DST			A	004172-03	

```
ERROR: syntaxerror  
OFFENDING COMMAND: --nostringval--
```

```
STACK:
```

```
/CB  
-dictionary-  
/Pscript_WinNT_Compact  
-dictionary-
```