

PRODUCT INFORMATION PACKET



Model No: C284T11FB4DAA
Catalog No: 170068.00
15 HP 1200 230/460 TEFC 284T PREM EFF
Totally Enclosed Fan Cooled (TEFC)



Regal and Leeson are trademarks of Regal Beloit Corporation or one of its affiliated companies.
©2019 Regal Beloit Corporation, All Rights Reserved. MC017097E





Nameplate Specifications

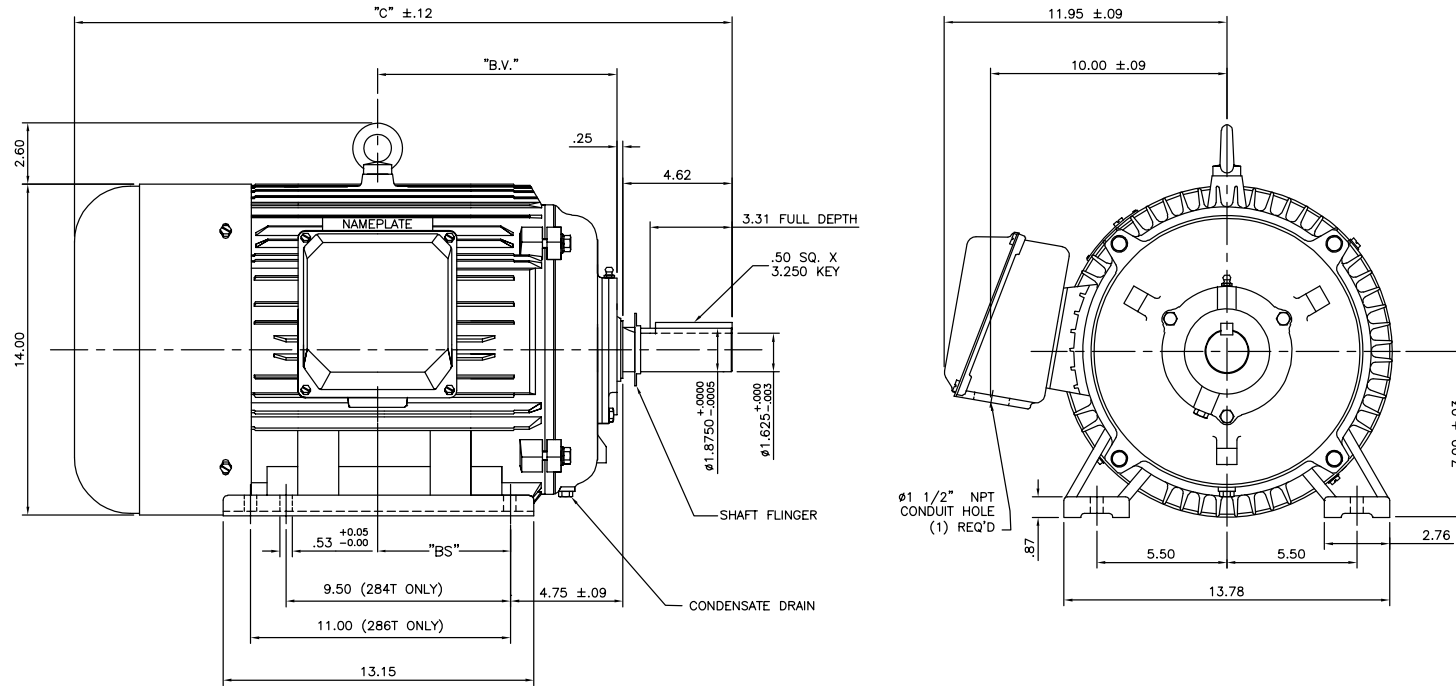
Output HP	15 Hp	Output KW	11.2 kW
Frequency	60 Hz	Voltage	208-230/460 V
Current	43.0-40.5/20.3 A	Speed	1186 rpm
Service Factor	1.15	Phase	3
Efficiency	92.4 %	Duty	Continuous
Insulation Class	F	Design Code	B
KVA Code	H	Frame	284T
Enclosure	Totally Enclosed Fan Cooled	Overload Protector	No
Ambient Temperature	40 °C	Drive End Bearing Size	6311
Opp Drive End Bearing Size	6309	UL	Recognized
CSA	Y	CE	Y
IP Code	43		

Technical Specifications

Electrical Type	Squirrel Cage Induction Run	Starting Method	Across The Line
Poles	6	Rotation	Reversible
Mounting	Rigid base	Motor Orientation	Horizontal
Drive End Bearing	Ball	Opp Drive End Bearing	Ball
Frame Material	Cast Iron	Shaft Type	T
Overall Length	26.26 in	Shaft Diameter	1.875 in
Shaft Extension	4.62 in	Assembly/Box Mounting	F1/F2 CAPABLE
Outline Drawing	16953960-284T	Connection Diagram	004172.03

This is an uncontrolled document once printed or downloaded and is subject to change without notice. Date Created: 02/14/2019

169539-60



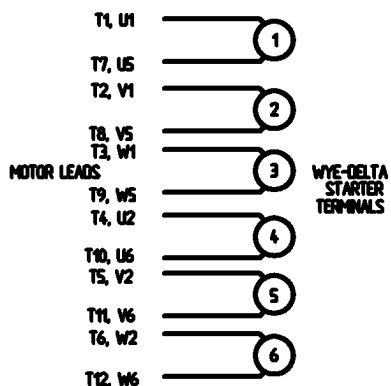
NOTE: 286T HAS 6 MTG. HOLES, USING 284T AND 286T LOCATIONS

FRAME DESIGN	"C"	"B.V."	"BS"
284T	26.26	9.65	
286T	27.83	10.43	5.51

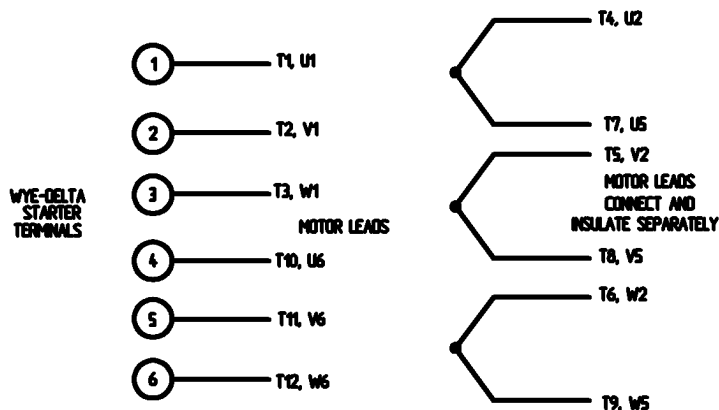
NO.	REVISION	BY & DATE	CHK	ANG	FINISH	TOLERANCES UNLESS SPECIFIED		DRAWN	CJK	07/16/01
						DEC.	INCHES			
03	ECO-0048910, REVISED 'BA' DIM.	RFH 04/04/14	EH	.XX	±.03	REGAL REGAL-BELOIT CORPORATION		CHK		
02	REDRAWN TO CURRENT CAD STANDARDS	CJK 07/13/99	.XXX	±.005	TITLE OUTLINE-280T FRAME, TEFC-RIGID		APPD			
01	ADDED HOLE FOR 286T BASE	JJK 11/01/01	.XXXX	±.0005	NEW CONDUIT BOX		REF			
						MAT'L. CAST IRON		FMF		
								PREV		
THIS DRAWING IN DESIGN AND DETAIL IS OUR PROPERTY AND MUST NOT BE USED EXCEPT IN CONNECTION WITH OUR WORK. ALL RIGHTS OF DESIGN AND INVENTION ARE RESERVED. THIS IS AN ELECTRONICALLY GENERATED DOCUMENT - DO NOT SCALE THIS PRINT						RFP	CAD FILE	SIZE	DRAWING NO.	PAGE OF
						DIST		A	169539-60	03

WYE - DELTA STARTING USEABLE ON 2,4 AND 6 POLE MOTORS.

LOW VOLTAGE CONNECTION

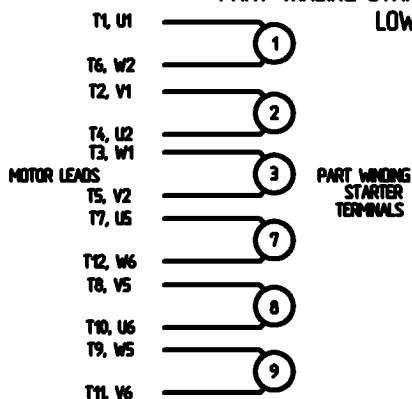


HIGH VOLTAGE CONNECTION



REFER TO THE WYE-DELTA STARTER CONNECTION INSTRUCTIONS FOR PROPER CONNECTION OF POWER LINES TO STARTER.

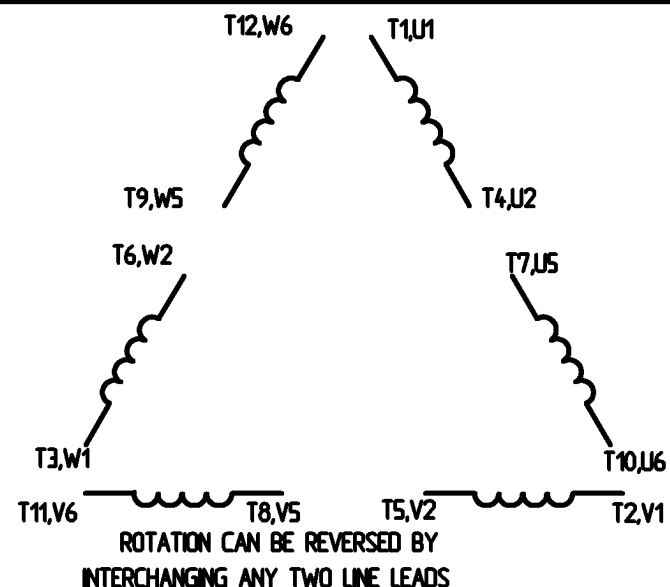
PART WINDING START USABLE ON 4 & 6 POLE MOTORS
LOW VOLTAGE CONNECTION ONLY



REFER TO THE PART WINDING STARTER INSTRUCTIONS FOR PROPER CONNECTION OF POWER LINES TO STARTER.

REFER TO THE CUTLER - HAMMER OR EQUIV. FOR PROPER SELECTION OF OVERLOAD HEATER COILS.

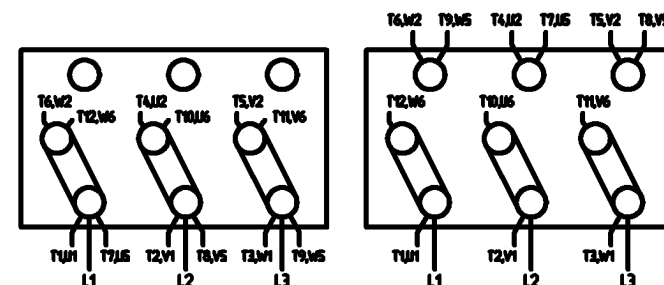
LINE LEADS



12 LEAD DELTA CONNECTION ACROSS THE LINE START
(FOR Y START DELTA RUN, REMOVE THE JUMPERS)

LOW VOLTAGE
MUST BE REWIRED
AS SHOWN

HIGH VOLTAGE
FACTORY WIRED FOR HIGH
VOLTAGE AS SHOWN



				TOLERANCES UNLESS SPECIFIED		ELECTRIC MOTORS GEARMOTORS AND DRIVES	DRAWN CW 08/28/02 CHK APPD SCALE 1:1 REF FMF PREV				
				DEC.	INCHES		TITLE DELTA - WYE CONNECTION DIAGRAM IEC CAST IRON MOTORS MAT'L FINISH				
				X	+ 1						
				XX	+ .01						
				XXX	+ .005						
				XXXX	+ .0005						
NO.	REVISION	BY & DATE	CHK	ANG	+ 1/2°	RFP	CAD FILE	00417203	SIZE	DRAWING NO.	REV.
THIS DRAWING IN DESIGN AND DETAIL IS OUR PROPERTY AND MUST NOT BE USED EXCEPT IN CONNECTION WITH OUR WORK ALL RIGHTS OF DESIGN AND INVENTION ARE RESERVED THIS IS AN ELECTRONICALLY GENERATED DOCUMENT - DO NOT SCALE THIS PRINT				RFP		DST			A	004172-03	

```
ERROR: syntaxerror  
OFFENDING COMMAND: --nostringval--
```

```
STACK:
```

```
/CB  
-dictionary-  
/Pscript_WinNT_Compact  
-dictionary-
```