

PRODUCT INFORMATION PACKET



Model No: C364T11FB5GAA
Catalog No: 170096.00
40 HP 1200 230/460 TEFC 364T
Totally Enclosed Fan Cooled (TEFC)



Regal and Leeson are trademarks of Regal Beloit Corporation or one of its affiliated companies.
©2019 Regal Beloit Corporation, All Rights Reserved. MC017097E





Nameplate Specifications

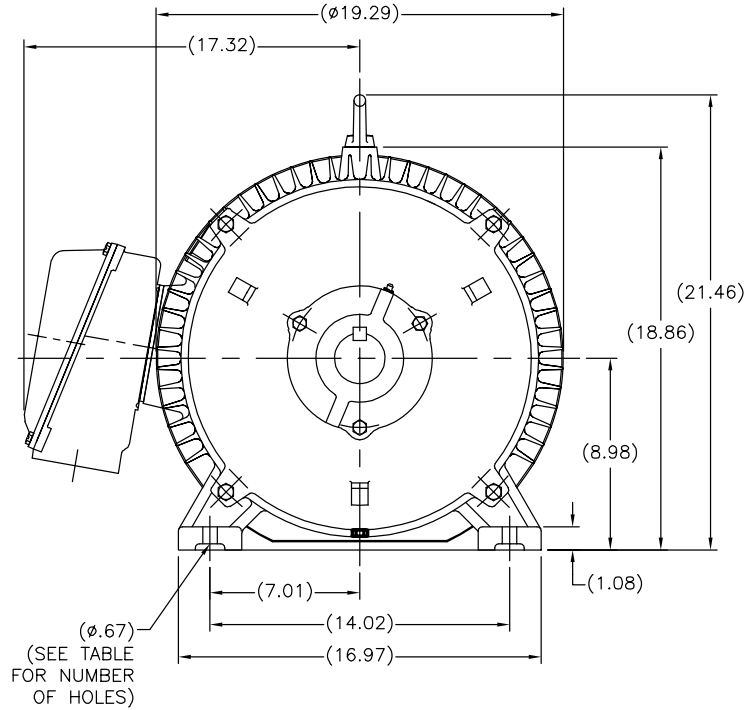
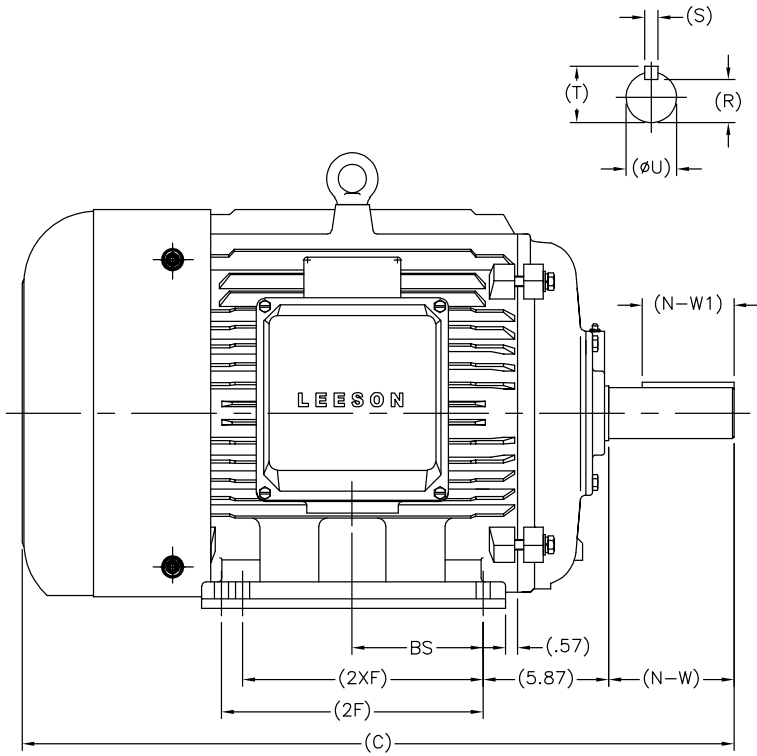
Output HP	40 Hp	Output KW	30.0 kW
Frequency	60 Hz	Voltage	208-230/460 V
Current	109.0-101.0/50.5 A	Speed	1192 rpm
Service Factor	1.15	Phase	3
Efficiency	94.1 %	Duty	Continuous
Insulation Class	F	Design Code	B
KVA Code	F	Frame	364T
Enclosure	Totally Enclosed Fan Cooled	Overload Protector	No
Ambient Temperature	40 °C	Drive End Bearing Size	6313
Opp Drive End Bearing Size	6313	UL	Recognized
CSA	Y	CE	Y
IP Code	43		

Technical Specifications

Electrical Type	Squirrel Cage Induction Run	Starting Method	Wye Start Delta Run
Poles	6	Rotation	Reversible
Mounting	Rigid base	Motor Orientation	Horizontal
Drive End Bearing	Ball	Opp Drive End Bearing	Ball
Frame Material	Cast Iron	Shaft Type	T
Overall Length	32.32 in	Shaft Diameter	2.375 in
Shaft Extension	5.87 in	Assembly/Box Mounting	F1/F2 CAPABLE
Outline Drawing	SS622180LE	Connection Diagram	004172.03

This is an uncontrolled document once printed or downloaded and is subject to change without notice. Date Created: 02/14/2019

SS622180LE

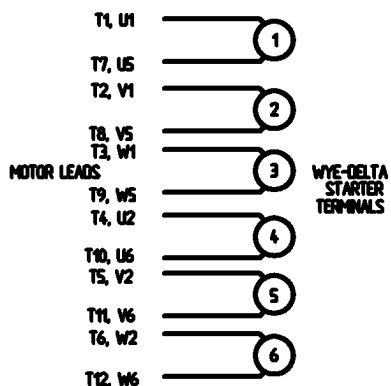


FRAME	C	2F	2XF	HOLES	N-W	N-W1	øU	R	S	T	BS
NT364TS-2	30.20	11.26	---	4	---	---	---	---	---	---	---
NT365TS-2	31.18	12.24	11.26	6	3.74	2.05	1.87	1.59	0.50	2.09	---
NT364T-4, 6	32.32	11.26	---	4	---	---	---	---	---	---	---
NT365T-4, 6	33.31	12.24	11.26	6	5.87	4.29	2.37	2.01	0.63	2.64	5.60 6.10

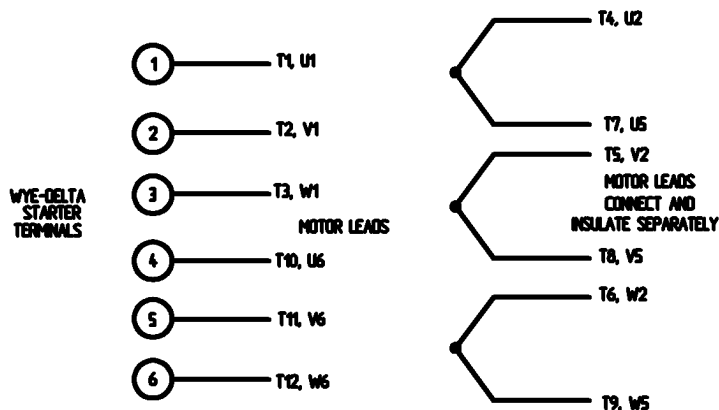
		TOLERANCES UNLESS SPECIFIED		REGAL REGAL-BELOIT CORPORATION		DRAWN MSG 02/13/2007	
		DEC.	INCHES	CHK	ML	02/16/2007	
		.X	±.1	APPD		SB 02/23/2007	
		.XX	±.03	SCALE		N/A	
		.XXX	±.005	REF			
1		.XXXX	±.0005	FMF		HEBEI	
NO.		ANG	±7°30"	PREV			
ADDED BS DIM. UPDATED TITLE BLOCK, ECO-0048910		RFH 04/07/2014		RFP		CAD FILE SS622180LE	
REVISION		BY & DATE		DIST		SIZE A	
THIS DRAWING IN DESIGN AND DETAIL IS OUR PROPERTY AND MUST NOT BE USED EXCEPT IN CONNECTION WITH OUR WORK ALL RIGHTS OF DESIGN AND INVENTION ARE RESERVED THIS IS AN ELECTRONICALLY GENERATED DOCUMENT - DO NOT SCALE THIS PRINT				DRAWING NO.		PAGE 1 OF 1	
				SS622180LE		REV. 1	

WYE - DELTA STARTING USEABLE ON 2,4 AND 6 POLE MOTORS.

LOW VOLTAGE CONNECTION

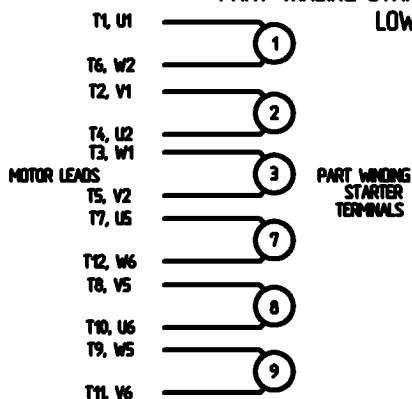


HIGH VOLTAGE CONNECTION



REFER TO THE WYE-DELTA STARTER CONNECTION INSTRUCTIONS FOR PROPER CONNECTION OF POWER LINES TO STARTER.

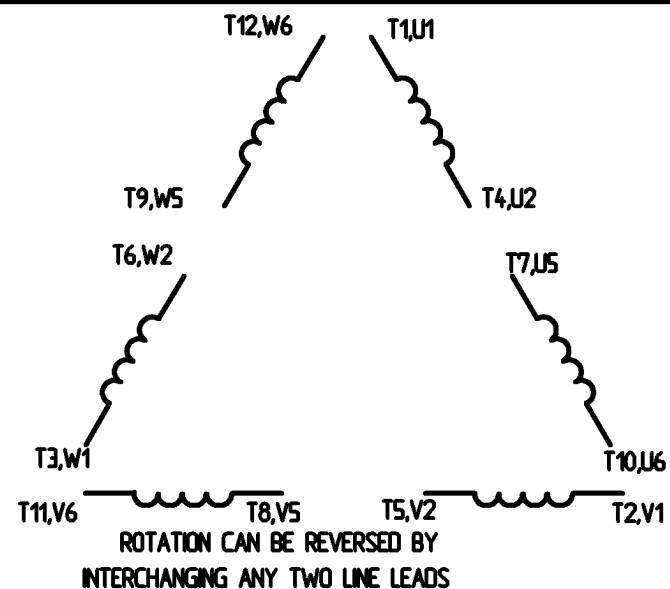
PART WINDING START USABLE ON 4 & 6 POLE MOTORS
LOW VOLTAGE CONNECTION ONLY



REFER TO THE PART WINDING STARTER INSTRUCTIONS FOR PROPER CONNECTION OF POWER LINES TO STARTER.

REFER TO THE CUTLER - HAMMER OR EQUIV. FOR PROPER SELECTION OF OVERLOAD HEATER COILS.

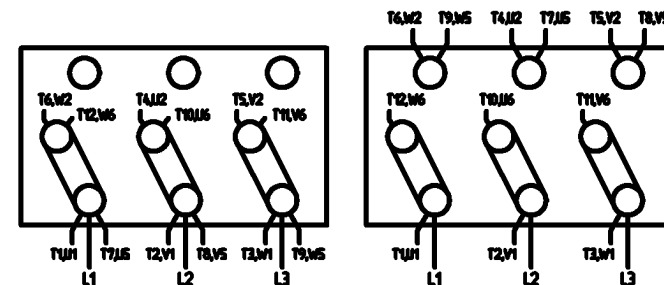
LINE LEADS



12 LEAD DELTA CONNECTION ACROSS THE LINE START
(FOR Y START DELTA RUN, REMOVE THE JUMPERS)

LOW VOLTAGE
MUST BE REWIRED
AS SHOWN

HIGH VOLTAGE
FACTORY WIRED FOR HIGH
VOLTAGE AS SHOWN



				TOLERANCES UNLESS SPECIFIED		ELECTRIC MOTORS GEARMOTORS AND DRIVES	DRAWN CW 08/28/02 CHK APPD SCALE 1:1 REF FMF PREV
				DEC.	INCHES		TITLE DELTA - WYE CONNECTION DIAGRAM IEC CAST IRON MOTORS
				X	+ .1		
				XX	+ .01		
				XXX	+ .005		
				XXXX	+ .0005	MAT'L	
NO.	REVISION	BY & DATE	CHK	ANG	+ 1/2°	FINISH	PREV
THIS DRAWING IN DESIGN AND DETAIL IS OUR PROPERTY AND MUST NOT BE USED EXCEPT IN CONNECTION WITH OUR WORK. ALL RIGHTS OF DESIGN AND INVENTION ARE RESERVED. THIS IS AN ELECTRONICALLY GENERATED DOCUMENT - DO NOT SCALE THIS PRINT.				RFP	CAD FILE	00417203	SIZE A
				DST			DRAWING NO. 004172-03
							REV.

```
ERROR: syntaxerror  
OFFENDING COMMAND: --nostringval--
```

```
STACK:
```

```
/CB  
-dictionary-  
/Pscript_WinNT_Compact  
-dictionary-
```