

# PRODUCT INFORMATION PACKET



Model No: C254T17GB11C  
Catalog No: 170116.00  
15 HP 1800 575 TEFC 254T PREM EFF  
Totally Enclosed Fan Cooled (TEFC)



Regal and Leeson are trademarks of Regal Beloit Corporation or one of its affiliated companies.  
©2019 Regal Beloit Corporation, All Rights Reserved. MC017097E





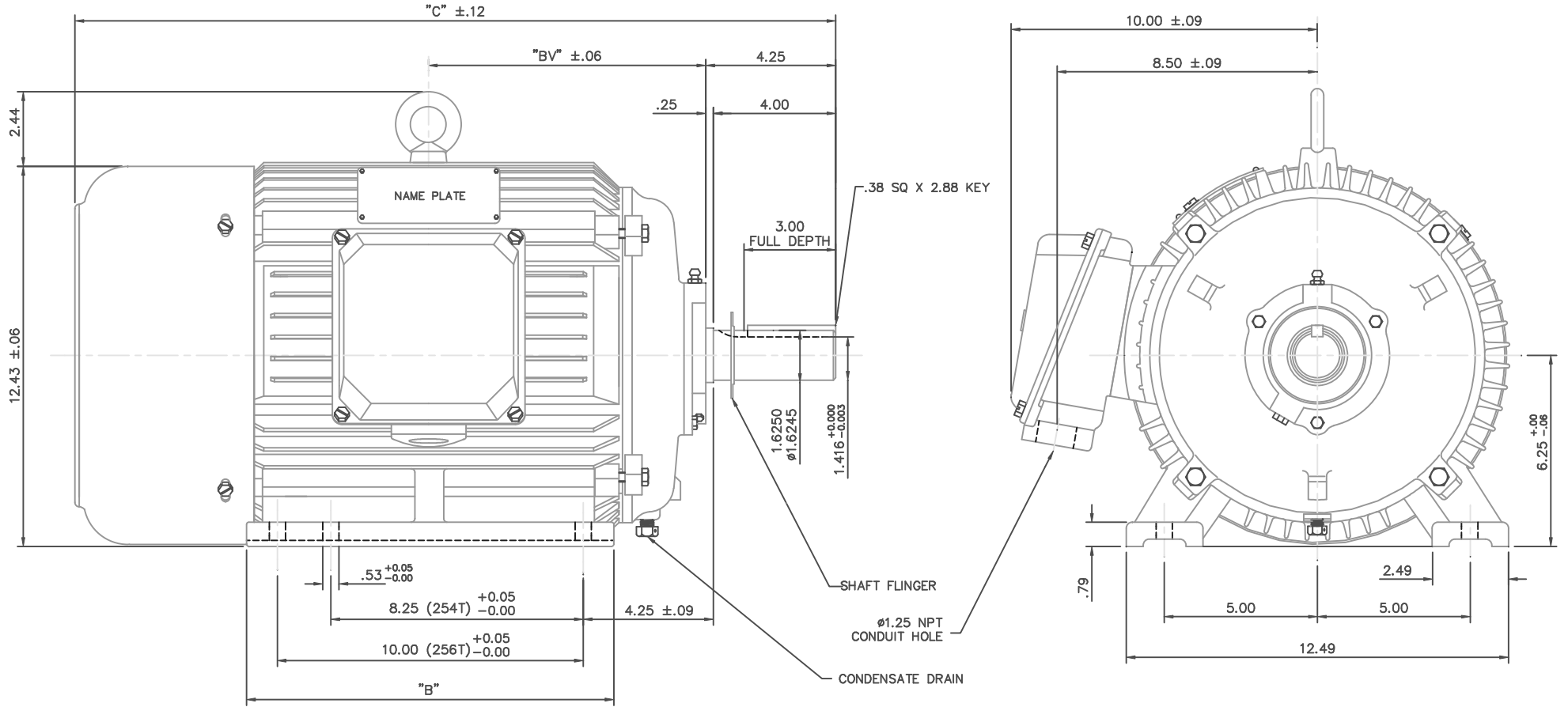
### Nameplate Specifications

Output HP	<b>15 Hp</b>	Output KW	<b>11.2 kW</b>
Frequency	<b>60 Hz</b>	Voltage	<b>575 V</b>
Current	<b>14.5 A</b>	Speed	<b>1775 rpm</b>
Service Factor	<b>1.15</b>	Phase	<b>3</b>
Efficiency	<b>92.4 %</b>	Duty	<b>Continuous</b>
Insulation Class	<b>F</b>	Design Code	<b>B</b>
KVA Code	<b>H</b>	Frame	<b>254T</b>
Enclosure	<b>Totally Enclosed Fan Cooled</b>	Overload Protector	<b>No</b>
Ambient Temperature	<b>40 °C</b>	Drive End Bearing Size	<b>6309</b>
Opp Drive End Bearing Size	<b>6308</b>	UL	<b>Recognized</b>
CSA	<b>Y</b>	CE	<b>Y</b>
IP Code	<b>43</b>		

### Technical Specifications

Electrical Type	<b>Squirrel Cage Induction Run</b>	Starting Method	<b>Wye Start Delta Run</b>
Poles	<b>4</b>	Rotation	<b>Reversible</b>
Mounting	<b>Rigid base</b>	Motor Orientation	<b>Horizontal</b>
Drive End Bearing	<b>Ball</b>	Opp Drive End Bearing	<b>Ball</b>
Frame Material	<b>Cast Iron</b>	Shaft Type	<b>T</b>
Overall Length	<b>23.19 in</b>	Shaft Diameter	<b>1.625 in</b>
Shaft Extension	<b>4 in</b>	Assembly/Box Mounting	<b>F1/F2 CAPABLE</b>
Outline Drawing	<b>16953860-254T</b>	Connection Diagram	<b>005190.01</b>

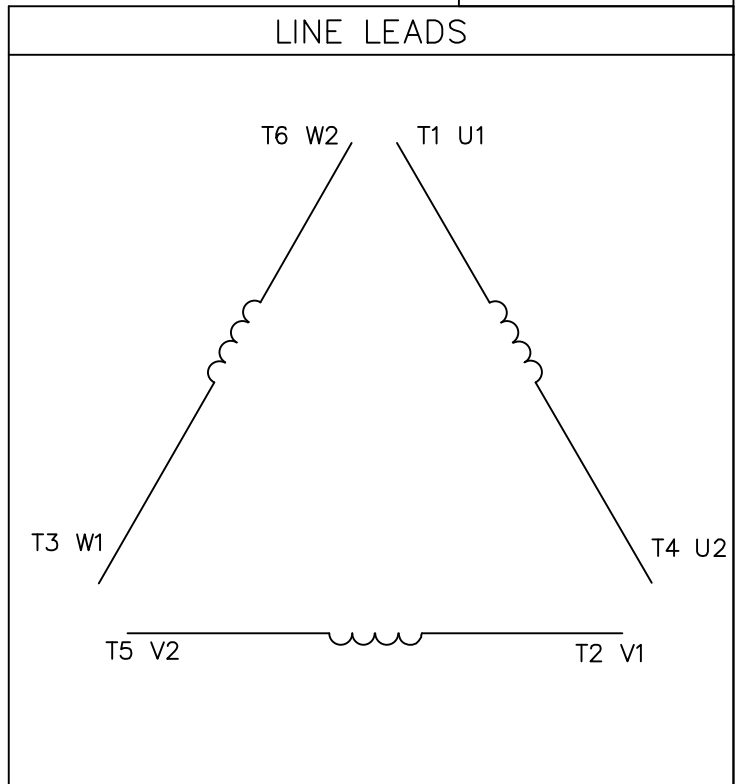
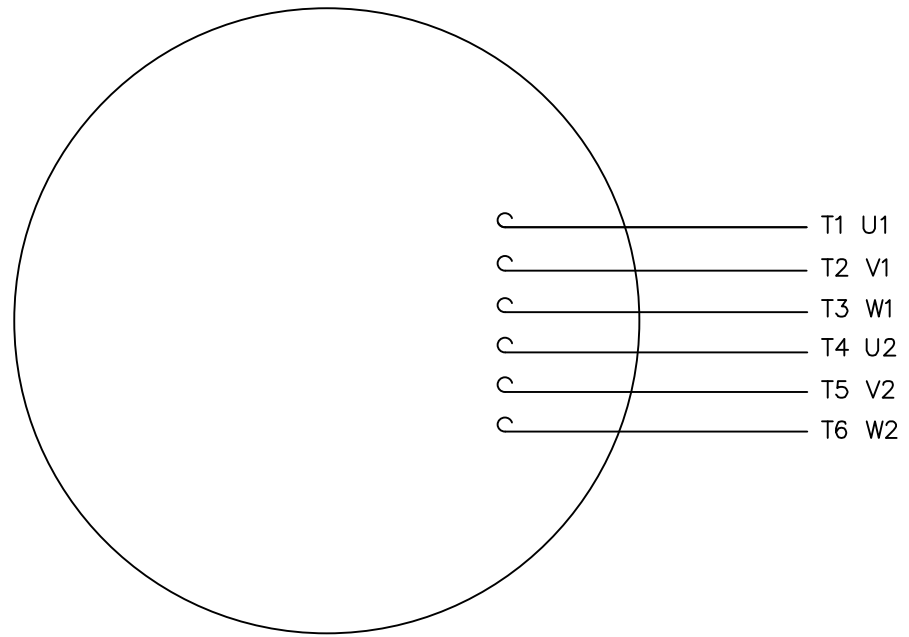
This is an uncontrolled document once printed or downloaded and is subject to change without notice. Date Created: 02/14/2019



NOTE: 256T HAS 6 MTG. HOLES, USING BOTH 254T AND 256T "2F" LOCATIONS.

FRAME	"C"	"B"	"BV"
254T	23.19	10.25	8.19
256T	24.92	12.00	9.06

				TOLERANCES UNLESS OTHERWISE SPECIFIED		LEESON ELECTRIC CORPORATION	
				DEC.	INCHES	METRIC	
				.X	±.1	±2.5	DRAWN DRZ 05/22/01
				.XX	±.03	±.76	APPR.
				.XXX	±.005	±.127	R.F.P.
				.XXXX	±.0005	±.0127	SCALE 5=16
THIS DRAWING IN DESIGN AND DETAIL IS OUR PROPERTY AND MUST NOT BE USED EXCEPT IN CONNECTION WITH OUR WORK ALL RIGHTS OF DESIGN AND INVENTION ARE RESERVED THIS IS AN ELECTRONICALLY GENERATED DOCUMENT - DO NOT SCALE THIS PRINT				FRACTIONS	±1/64	REF.	FINISH
				ANGLES	±1/2°	FMF	REV. 01
						DRAWING NO. 169538-60	
						TITLE OUTLINE - 250 FRAME TEFC - RIGID, NEW CON-BOX	
						MAT'L. CAST IRON	



	L1	L2	L3	JOIN
START (WYE)	T1 U1	T2 V1	T3 U2	(T4,T5,T6) (U2,V2,W2)
RUN (DELTA)	(T1,T6) (U1,W2)	(T2,T4) (V1,U2)	(T3,T5) (W1,V2)	

TOLERANCES UNLESS OTHERWISE SPECIFIED  
DECIMALS

**LEESON** ELECTRIC CORPORATION

NO.	REVISION	BY	DATE	FRACTIONS	±	SCALE
03	ADDED IEC DESIGNATIONS	MOL	4/27/2012	.00	± .01	DRAWN PG 05/07/82
02	REMOVED OBSOLETE STATUS	KJH	6/28/99	.000	± .005	CH'K'D. TEM
01	REDRAWN ON CAD	DBT	05/30/97	.0000	± .0005	APPR. 05/07/82

TITLE	MAT'L.
EXT. WIRING DIAGRAM STAR START - DELTA RUN	Y-CONNECTED START DELTA CONNECTED RUN - SINGLE VOLTAGE

THIS DRAWING IN DESIGN AND DETAIL IS OUR PROPERTY AND MUST NOT BE USED EXCEPT IN CONNECTION WITH OUR WORK ALL RIGHTS OF DESIGN AND INVENTION ARE RESERVED	ANGLES	± 1/2°	REF.	T2E	FINISH	SIZE	DRAWING NO.
	INCH/MM		FMF	ELECTRO POWER		A	005190-01