

PRODUCT INFORMATION PACKET



Model No: C256T17FB5D

Catalog No: 170117.00

170117.00..20HP..1775RPM.256T.TEFC.575V.3PH.60HZ.CONT.40AMB.1.15SF.RIGID.....

Totally Enclosed Fan Cooled (TEFC)



Regal and Leeson are trademarks of Regal Beloit Corporation or one of its affiliated companies.

©2019 Regal Beloit Corporation, All Rights Reserved. MC017097E





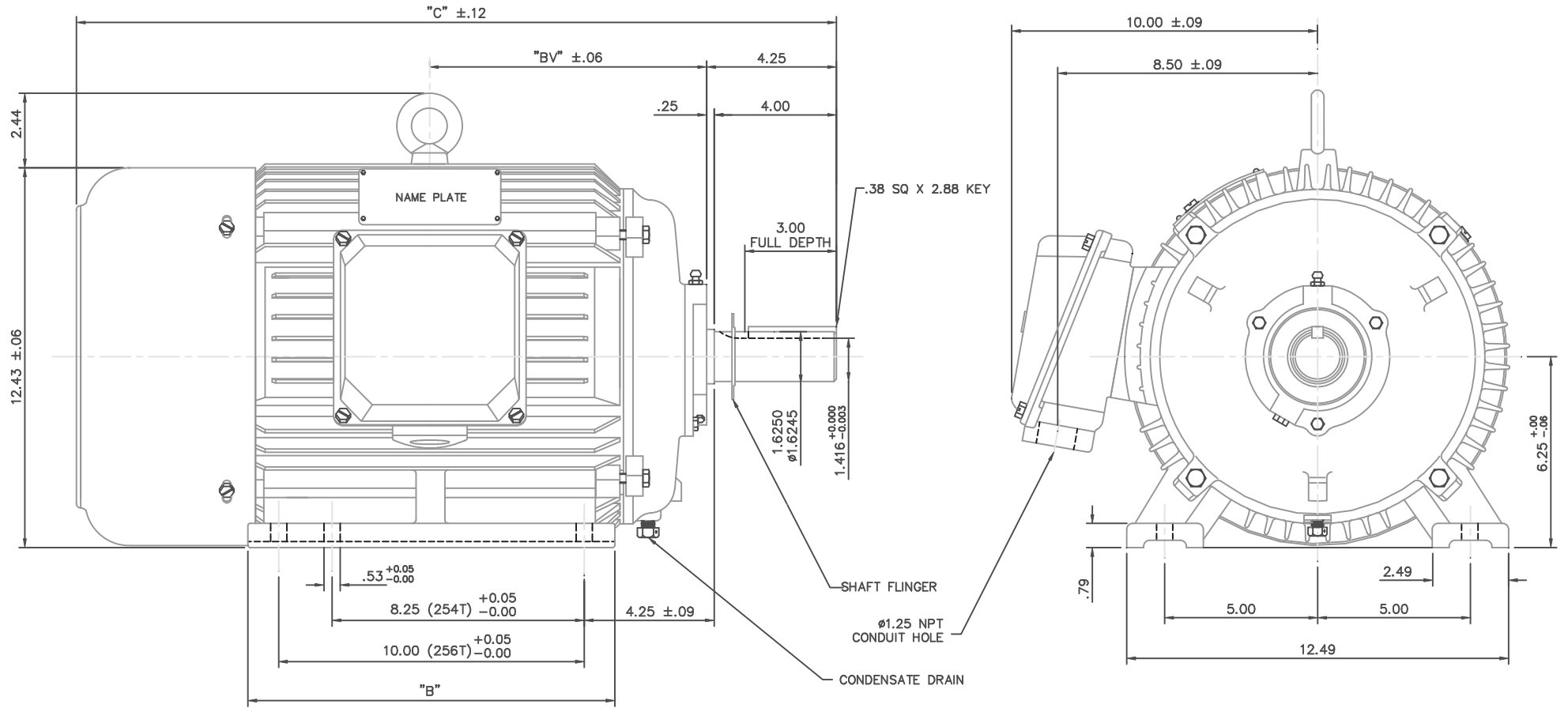
Nameplate Specifications

| | | | |
|----------------------------|------------------------------------|------------------------|-------------------|
| Output HP | 20 Hp | Output KW | 14.9 kW |
| Frequency | 60 Hz | Voltage | 575 V |
| Current | 20.0 A | Speed | 1775 rpm |
| Service Factor | 1.15 | Phase | 3 |
| Efficiency | 93 % | Duty | Continuous |
| Insulation Class | F | Design Code | B |
| KVA Code | G | Frame | 256T |
| Enclosure | Totally Enclosed Fan Cooled | Overload Protector | No |
| Ambient Temperature | 40 °C | Drive End Bearing Size | 6309 |
| Opp Drive End Bearing Size | 6308 | UL | Recognized |
| CSA | Y | CE | Y |
| IP Code | 43 | | |

Technical Specifications

| | | | |
|-------------------|------------------------------------|-----------------------|----------------------------|
| Electrical Type | Squirrel Cage Induction Run | Starting Method | Wye Start Delta Run |
| Poles | 4 | Rotation | Reversible |
| Mounting | Rigid base | Motor Orientation | Horizontal |
| Drive End Bearing | Ball | Opp Drive End Bearing | Ball |
| Frame Material | Cast Iron | Shaft Type | T |
| Overall Length | 24.92 in | Shaft Diameter | 1.625 in |
| Shaft Extension | 4 in | Assembly/Box Mounting | F1/F2 CAPABLE |
| Outline Drawing | 16953860-256T | Connection Diagram | 005190.01 |

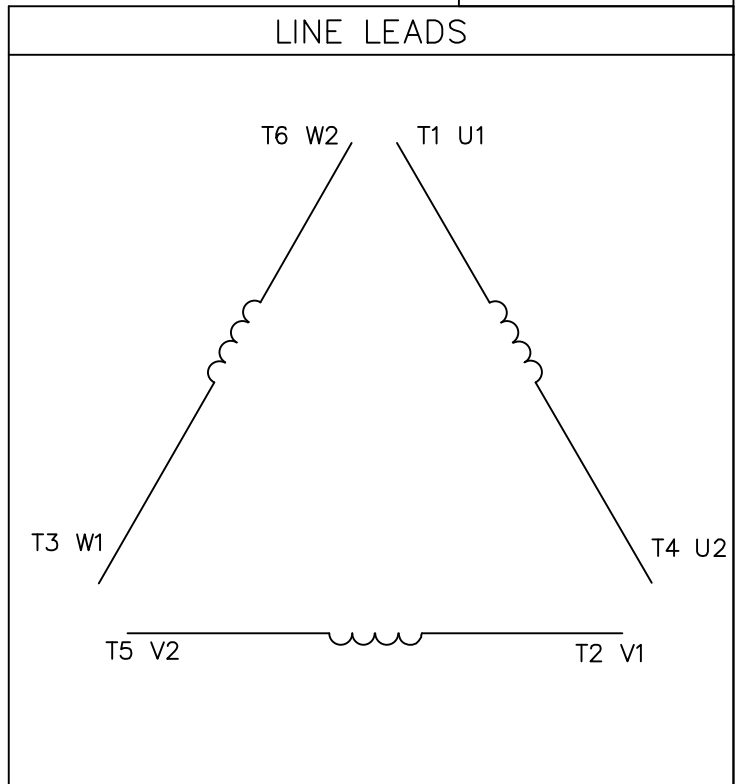
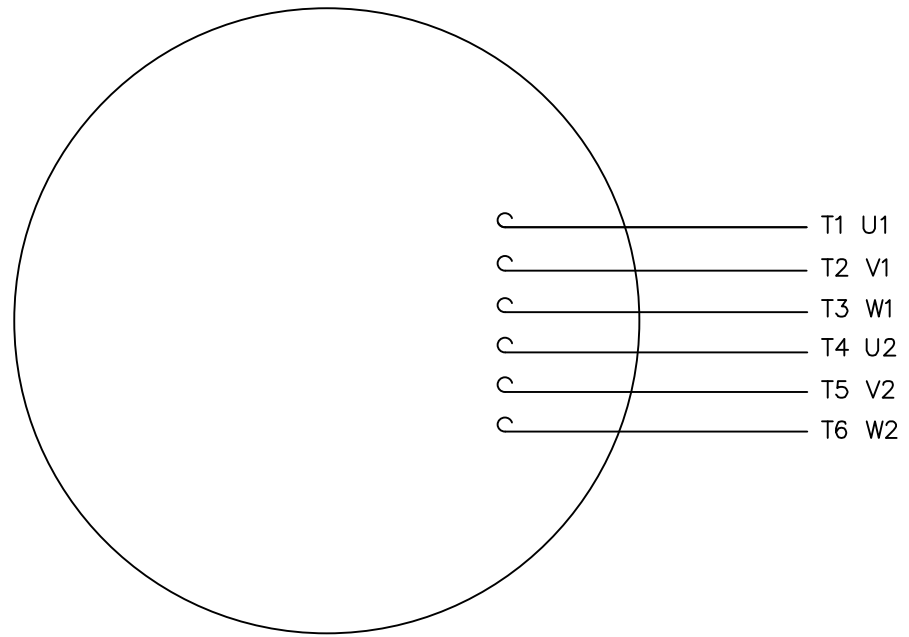
This is an uncontrolled document once printed or downloaded and is subject to change without notice. Date Created: 02/14/2019



NOTE: 256T HAS 6 MTG. HOLES, USING BOTH 254T AND 256T "2F" LOCATIONS.

| FRAME | "C" | "B" | "BV" |
|-------|-------|-------|------|
| 254T | 23.19 | 10.25 | 8.19 |
| 256T | 24.92 | 12.00 | 9.06 |

| | | | | TOLERANCES UNLESS OTHERWISE SPECIFIED | | LEESON ELECTRIC CORPORATION | |
|---|--|--|--|---------------------------------------|--------|---|--------------------|
| | | | | DEC. | INCHES | METRIC | |
| | | | | .X | ±.1 | ±2.5 | DRAWN DRZ 05/22/01 |
| | | | | .XX | ±.03 | ±.76 | APPR. |
| | | | | .XXX | ±.005 | ±.127 | R.F.P. |
| | | | | .XXXX | ±.0005 | ±.0127 | SCALE 5=16 |
| THIS DRAWING IN DESIGN AND DETAIL IS OUR PROPERTY AND MUST NOT BE USED EXCEPT IN CONNECTION WITH OUR WORK. ALL RIGHTS OF DESIGN AND INVENTION ARE RESERVED. THIS IS AN ELECTRONICALLY GENERATED DOCUMENT - DO NOT SCALE THIS PRINT. | | | | FRACTIONS | ±1/64 | REF. | FINISH |
| | | | | ANGLES | ±1/2° | FMF | REV. 01 |
| | | | | | | DRAWING NO. 169538-60 | |
| | | | | | | TITLE OUTLINE - 250 FRAME TEFC - RIGID, NEW CON-BOX | |
| | | | | | | MAT'L. CAST IRON | |



| | | | | |
|-------------|--------------------|--------------------|--------------------|--------------------------|
| | L1 | L2 | L3 | JOIN |
| START (WYE) | T1 U1 | T2 V1 | T3 U2 | (T4,T5,T6) (U2,V2,W2) |
| RUN (DELTA) | (T1,T6) (U1,W2) | (T2,T4) (V1,U2) | (T3,T5) (W1,V2) | |

| | | | | | | | | | | |
|---|-------------------------|-----|-----------|---------------------------------------|---------|------------------------------------|--------------------------------------|--------|------|-------------|
| | | | | TOLERANCES UNLESS OTHERWISE SPECIFIED | | LEESON ELECTRIC CORPORATION | | | | |
| | | | | DECIMALS | | | | | | |
| 03 | ADDED IEC DESIGNATIONS | MOL | 4/27/2012 | .00 | ± .01 | DRAWN PG 05/07/82 | TITLE EXT. WIRING DIAGRAM | | | |
| 02 | REMOVED OBSOLETE STATUS | KJH | 6/28/99 | .000 | ± .005 | CH'K'D. TEM | STAR START - DELTA RUN | | | |
| 01 | REDRAWN ON CAD | DBT | 05/30/97 | .0000 | ± .0005 | APPR. 05/07/82 | MAT'L. Y-CONNECTED START | | | |
| NO. | REVISION | BY | DATE | FRACTIONS | ± 1/64 | SCALE 1=1 | DELTA CONNECTED RUN - SINGLE VOLTAGE | | | |
| THIS DRAWING IN DESIGN AND DETAIL IS OUR PROPERTY AND MUST NOT BE USED EXCEPT IN CONNECTION WITH OUR WORK ALL RIGHTS OF DESIGN AND INVENTION ARE RESERVED | | | | ANGLES | | ± 1/2" | REF. T2E | FINISH | SIZE | DRAWING NO. |
| | | | | INCH/MM | | | FMF ELECTRO POWER | | A | 005190-01 |