

PRODUCT INFORMATION PACKET



Model No: C256T11FB5D

Catalog No: 170219.00

..10HP..1200RPM.256T.TEFC.575V.3PH.60HZ.CONT.40C.1.15SF.RIGID.....

Totally Enclosed Fan Cooled (TEFC)



Regal and Leeson are trademarks of Regal Beloit Corporation or one of its affiliated companies.

©2019 Regal Beloit Corporation, All Rights Reserved. MC017097E





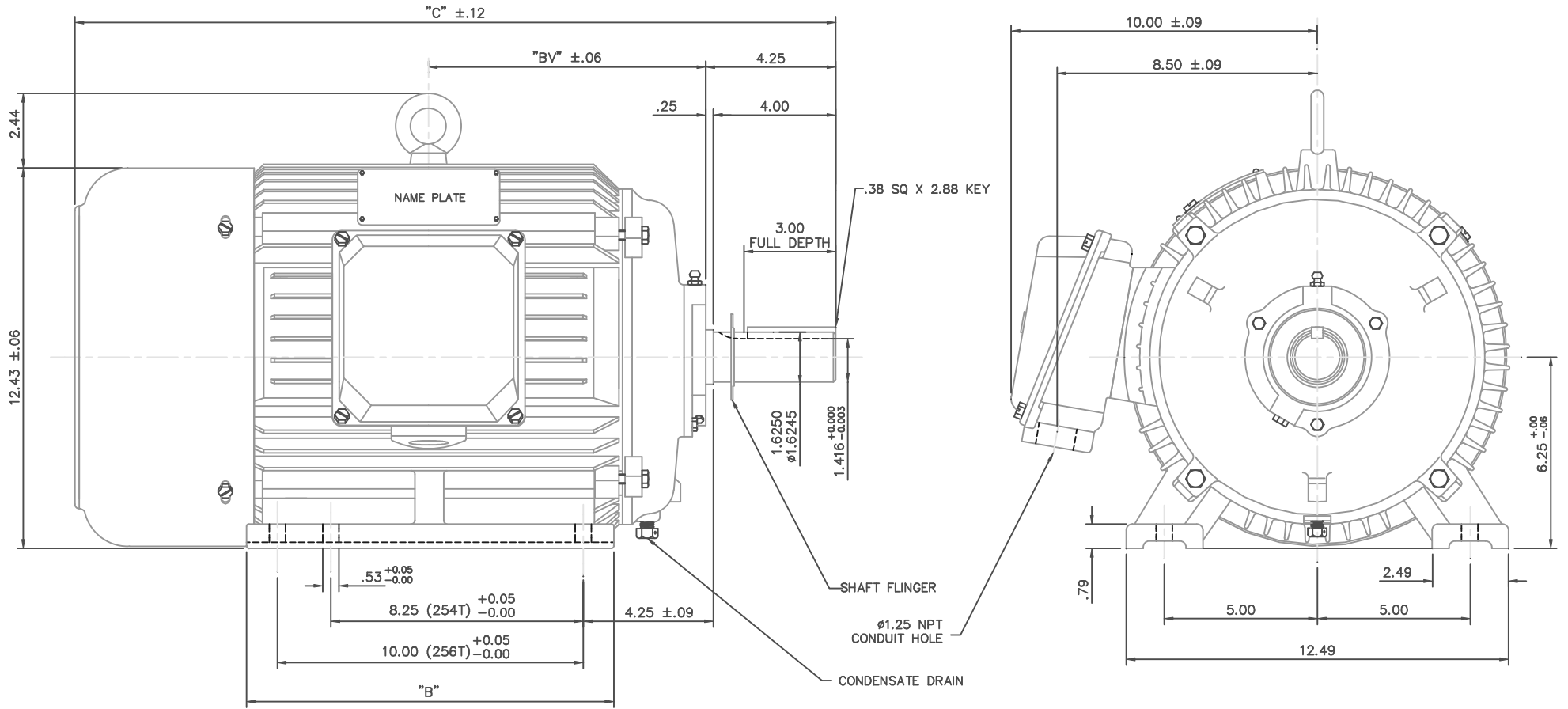
Nameplate Specifications

Output HP	10 Hp	Output KW	7.5 kW
Frequency	60 Hz	Voltage	575 V
Current	11.5 A	Speed	1183 rpm
Service Factor	1.15	Phase	3
Efficiency	91.7 %	Duty	Continuous
Insulation Class	F	Design Code	B
KVA Code	G	Frame	256T
Enclosure	Totally Enclosed Fan Cooled	Overload Protector	No
Ambient Temperature	40 °C	Drive End Bearing Size	6309
Opp Drive End Bearing Size	6308	UL	Recognized
CSA	Y	CE	Y
IP Code	43		

Technical Specifications

Electrical Type	Squirrel Cage Induction Run	Starting Method	Wye Start Delta Run
Poles	6	Rotation	Reversible
Mounting	Rigid base	Motor Orientation	Horizontal
Drive End Bearing	Ball	Opp Drive End Bearing	Ball
Frame Material	Cast Iron	Shaft Type	T
Overall Length	24.92 in	Shaft Diameter	1.625 in
Shaft Extension	4 in	Assembly/Box Mounting	F1/F2 CAPABLE
Outline Drawing	16953860-256T	Connection Diagram	005190.01

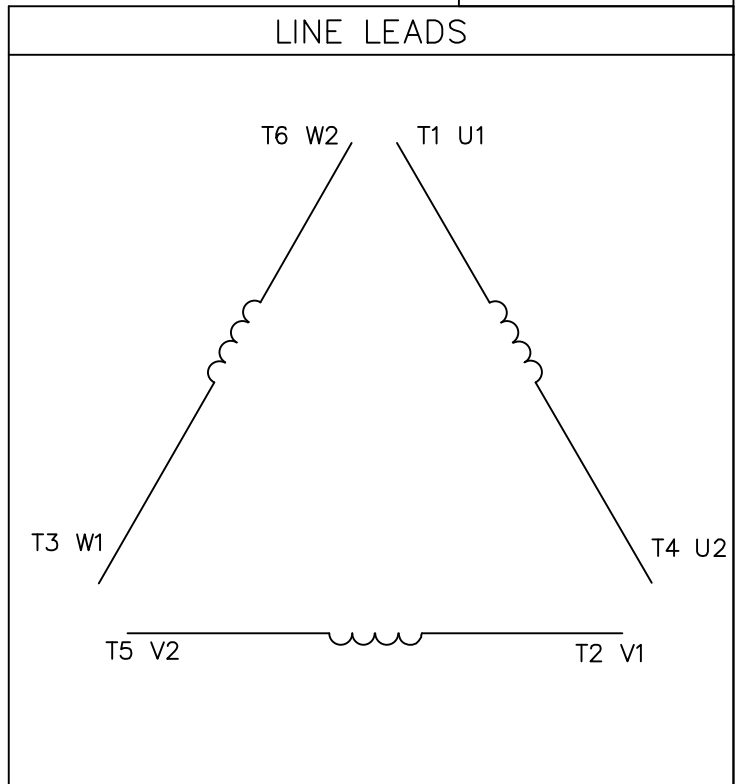
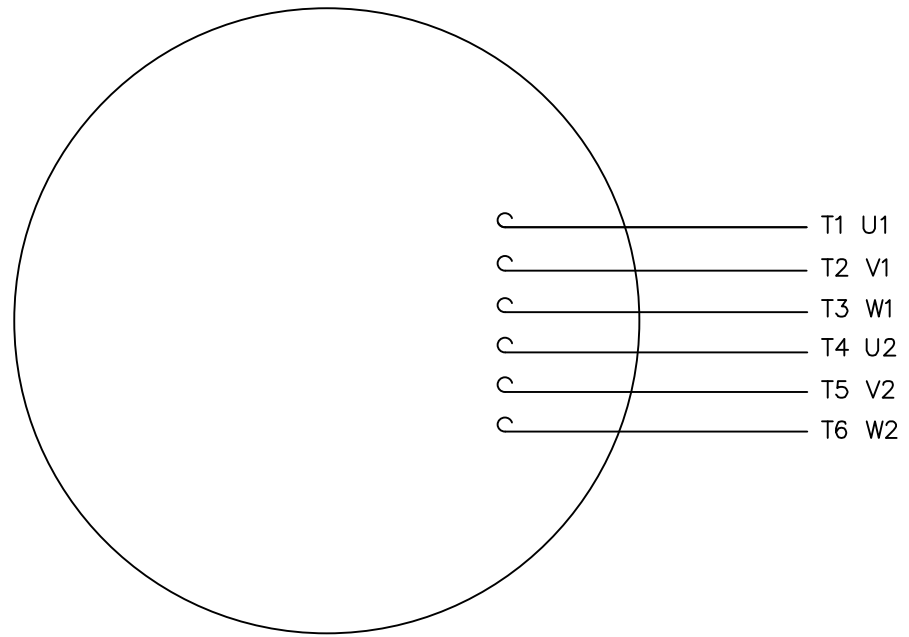
This is an uncontrolled document once printed or downloaded and is subject to change without notice. Date Created: 02/14/2019



NOTE: 256T HAS 6 MTG. HOLES, USING BOTH 254T AND 256T "2F" LOCATIONS.

FRAME	"C"	"B"	"BV"
254T	23.19	10.25	8.19
256T	24.92	12.00	9.06

				TOLERANCES UNLESS OTHERWISE SPECIFIED		LEESON ELECTRIC CORPORATION	
				DEC.	INCHES	METRIC	
				.X	±.1	±2.5	DRAWN DRZ 05/22/01
				.XX	±.03	±.76	APPR.
				.XXX	±.005	±.127	R.F.P.
				.XXXX	±.0005	±.0127	SCALE 5=16
THIS DRAWING IN DESIGN AND DETAIL IS OUR PROPERTY AND MUST NOT BE USED EXCEPT IN CONNECTION WITH OUR WORK. ALL RIGHTS OF DESIGN AND INVENTION ARE RESERVED. THIS IS AN ELECTRONICALLY GENERATED DOCUMENT - DO NOT SCALE THIS PRINT.				FRACTIONS	±1/64	REF.	FINISH
				ANGLES	±1/2°	FMF	REV. 01
						DRAWING NO. 169538-60	
						TITLE OUTLINE - 250 FRAME TEFC - RIGID, NEW CON-BOX	
						MAT'L. CAST IRON	



	L1	L2	L3	JOIN
START (WYE)	T1 U1	T2 V1	T3 U2	(T4,T5,T6) (U2,V2,W2)
RUN (DELTA)	(T1,T6) (U1,W2)	(T2,T4) (V1,U2)	(T3,T5) (W1,V2)	

				TOLERANCES UNLESS OTHERWISE SPECIFIED		LEESON ELECTRIC CORPORATION		EXT. WIRING DIAGRAM STAR START - DELTA RUN	
				DECIMALS					
03	ADDED IEC DESIGNATIONS	MOL	4/27/2012	.00	± .01	DRAWN PG	05/07/82	MAT'L. Y-CONNECTED START DELTA CONNECTED RUN - SINGLE VOLTAGE	
02	REMOVED OBSOLETE STATUS	KJH	6/28/99	.000	± .005	CH'K'D.	TEM		
01	REDRAWN ON CAD	DBT	05/30/97	.0000	± .0005	APPR.	05/07/82	FINISH	
NO.	REVISION	BY	DATE	FRACTIONS	± 1/64	SCALE	1=1		
THIS DRAWING IN DESIGN AND DETAIL IS OUR PROPERTY AND MUST NOT BE USED EXCEPT IN CONNECTION WITH OUR WORK ALL RIGHTS OF DESIGN AND INVENTION ARE RESERVED				ANGLES	± 1/2°	REF.	T2E	SIZE	DRAWING NO.
				INCH/MM		FMF	ELECTRO POWER	A	005190-01