

/// BCL 500i



Integrated fieldbus networking is one of the key features of this series of trend setting bar code readers. Configuration is performed via a web technology-based graphic user interface.



Benefits:

- Integrated fieldbus and Industrial Ethernet connectivity (PROFIBUS, PROFINET, EtherNet, EtherNet/IP and MULTINET)
- Full CRT (code reconstruction technology) also detects heavily damaged or soiled codes
- High-quality optics with great depth of field and large opening angle, also with heating for use at temperatures down to -35 °C
- Simple commissioning and connection using M12-Ultra-Lock™ connection technology and intelligent fastening concept
- Intuitive, multi-language display with menu navigation
- webConfig – an operating-system independent, browser-based configuration tool

PART NUMBER CODES – BCL 500i stationary bar code readers

B C L 5 0 0 i S N 1 0 0 H

Type

BCL Bar code reader

Interface (integrated fieldbus technology)

500i RS 232 / RS 422 / RS 485 (multiNet master)
 501i RS 485 (multiNet slave)
 504i PROFIBUS DP
 508i EtherNet TCP/IP, UDP
 548i PROFINET RT
 558i EtherNet/IP

Scanning principle

S Line scanner (single line)
 O Oscillating-mirror scanner

Optics

N High Density (close)
 M Medium Density (medium distance)
 F Low Density (far)
 L Long Range

Beam exit

100 Lateral
 102 At the front

Heating

H With heating

Part no.	Part description	Reading method Light beam exit	Interface	Reading distance	Module size	Scanning rate	Special design Type of display
RS 485 interface							
50105475	BCL 501i SN 102 H	Line scanner Front	RS 485	200 ... 650 mm	0.25 ... 0.5 mm	1,000 scans/s	Heating LED Monochromatic graphical display, 128x64 pixel, with background lighting
50105472	BCL 501i SN 102	Line scanner Front	RS 485	200 ... 650 mm	0.25 ... 0.5 mm	1,000 scans/s	LED Monochromatic graphical display, 128x64 pixel, with background lighting
50105481	BCL 501i SM 102 H	Line scanner Front	RS 485	300 ... 1,000 mm	0.35 ... 1 mm	1,000 scans/s	Heating LED Monochromatic graphical display, 128x64 pixel, with background lighting
50105478	BCL 501i SM 102	Line scanner Front	RS 485	300 ... 1,000 mm	0.35 ... 1 mm	1,000 scans/s	LED Monochromatic graphical display, 128x64 pixel, with background lighting
50105487	BCL 501i SF 102 H	Line scanner Front	RS 485	400 ... 1,600 mm	0.5 ... 1 mm	1,000 scans/s	Heating LED Monochromatic graphical display, 128x64 pixel, with background lighting
50105484	BCL 501i SF 102	Line scanner Front	RS 485	400 ... 1,600 mm	0.5 ... 1 mm	1,000 scans/s	LED Monochromatic graphical display, 128x64 pixel, with background lighting
50109893	BCL 501i SL 102 H	Line scanner Front	RS 485	1,000 ... 2,400 mm	0.7 ... 1 mm	1,000 scans/s	Heating LED Monochromatic graphical display, 128x64 pixel, with background lighting
50109890	BCL 501i SL 102	Line scanner Front	RS 485	1,000 ... 2,400 mm	0.7 ... 1 mm	1,000 scans/s	LED Monochromatic graphical display, 128x64 pixel, with background lighting
50105474	BCL 501i SN 100 H	Line scanner with deflecting mirror Zero position at side at angle of 90 °	RS 485	200 ... 650 mm	0.25 ... 0.5 mm	1,000 scans/s	Heating LED Monochromatic graphical display, 128x64 pixel, with background lighting
50105471	BCL 501i SN 100	Line scanner with deflecting mirror Zero position at side at angle of 90 °	RS 485	200 ... 650 mm	0.25 ... 0.5 mm	1,000 scans/s	LED Monochromatic graphical display, 128x64 pixel, with background lighting
50105480	BCL 501i SM 100 H	Line scanner with deflecting mirror Lateral with deflecting mirror	RS 485	300 ... 1,000 mm	0.35 ... 1 mm	1,000 scans/s	Heating LED Monochromatic graphical display, 128x64 pixel, with background lighting
50105477	BCL 501i SM 100	Line scanner with deflecting mirror Zero position at side at angle of 90 °	RS 485	300 ... 1,000 mm	0.35 ... 1 mm	1,000 scans/s	LED Monochromatic graphical display, 128x64 pixel, with background lighting
50105486	BCL 501i SF 100 H	Line scanner with deflecting mirror Zero position at side at angle of 90 °	RS 485	400 ... 1,600 mm	0.5 ... 1 mm	1,000 scans/s	Heating LED Monochromatic graphical display, 128x64 pixel, with background lighting
50105483	BCL 501i SF 100	Line scanner with deflecting mirror Zero position at side at angle of 90 °	RS 485	400 ... 1,600 mm	0.5 ... 1 mm	1,000 scans/s	LED Monochromatic graphical display, 128x64 pixel, with background lighting
50105476	BCL 501i ON 100 H	Oscillating-mirror scanner Zero position at side at angle less than 90°	RS 485	200 ... 650 mm	0.25 ... 0.5 mm	1,000 scans/s	Heating LED Monochromatic graphical display, 128x64 pixel, with background lighting
50105473	BCL 501i ON 100	Oscillating-mirror scanner Zero position at side at angle less than 90°	RS 485	200 ... 650 mm	0.25 ... 0.5 mm	1,000 scans/s	LED Monochromatic graphical display, 128x64 pixel, with background lighting
50105482	BCL 501i OM 100 H	Oscillating-mirror scanner Zero position at side at angle less than 90°	RS 485	300 ... 1,000 mm	0.35 ... 1 mm	1,000 scans/s	Heating LED Monochromatic graphical display, 128x64 pixel, with background lighting
50105479	BCL 501i OM 100	Oscillating-mirror scanner Zero position at side at angle less than 90°	RS 485	300 ... 1,000 mm	0.35 ... 1 mm	1,000 scans/s	LED Monochromatic graphical display, 128x64 pixel, with background lighting
50105488	BCL 501i OF 100 H	Oscillating-mirror scanner Zero position at side at angle less than 90°	RS 485	400 ... 1,600 mm	0.5 ... 1 mm	1,000 scans/s	Heating LED Monochromatic graphical display, 128x64 pixel, with background lighting
50105485	BCL 501i OF 100	Oscillating-mirror scanner Zero position at side at angle less than 90°	RS 485	400 ... 1,600 mm	0.5 ... 1 mm	1,000 scans/s	LED Monochromatic graphical display, 128x64 pixel, with background lighting
50109894	BCL 501i OL 100 H	Oscillating-mirror scanner Zero position at side at angle less than 90°	RS 485	1,000 ... 2,400 mm	0.7 ... 1 mm	1,000 scans/s	Heating LED Monochromatic graphical display, 128x64 pixel, with background lighting
50109891	BCL 501i OL 100	Oscillating-mirror scanner Zero position at side at angle less than 90°	RS 485	1,000 ... 2,400 mm	0.7 ... 1 mm	1,000 scans/s	LED Monochromatic graphical display, 128x64 pixel, with background lighting
RS 232, RS 422, RS 485 interface							
50105457	BCL 500i SN 102 H	Line scanner Front	RS 232 RS 422 RS 485	200 ... 650 mm	0.25 ... 0.5 mm	1,000 scans/s	Heating LED Monochromatic graphical display, 128x64 pixel, with background lighting
50105454	BCL 500i SN 102	Line scanner Front	RS 232 RS 422 RS 485	200 ... 650 mm	0.25 ... 0.5 mm	1,000 scans/s	LED Monochromatic graphical display, 128x64 pixel, with background lighting
50105463	BCL 500i SM 102 H	Line scanner Front	RS 232 RS 422 RS 485	300 ... 1,000 mm	0.35 ... 1 mm	1,000 scans/s	Heating LED Monochromatic graphical display, 128x64 pixel, with background lighting
50105460	BCL 500i SM 102	Line scanner Front	RS 232 RS 422 RS 485	300 ... 1,000 mm	0.35 ... 1 mm	1,000 scans/s	LED Monochromatic graphical display, 128x64 pixel, with background lighting

Switching sensors

Measuring sensors

Products for safety at work

Identification

Data transmission / Control components

Industrial image processing

Accessories

Part no.	Part description	Reading method Light beam exit	Interface	Reading distance	Module size	Scanning rate	Special design Type of display
50105469	BCL 500i SF 102 H	Line scanner Front	RS 232 RS 422 RS 485	500 ... 1,600 mm	0.5 ... 1 mm	1,000 scans/s	Heating LED Monochromatic graphical display, 128x64 pixel, with background lighting
50105466	BCL 500i SF 102	Line scanner Front	RS 232 RS 422 RS 485	500 ... 1,600 mm	0.5 ... 1 mm	1,000 scans/s	LED Monochromatic graphical display, 128x64 pixel, with background lighting
50109914	BCL 500i SL 102 H	Line scanner Front	RS 232 RS 422 RS 485	1,000 ... 2,400 mm	0.7 ... 1 mm	1,000 scans/s	Heating LED Monochromatic graphical display, 128x64 pixel, with background lighting
50109911	BCL 500i SL 102	Line scanner Front	RS 232 RS 422 RS 485	1,000 ... 2,400 mm	0.7 ... 1 mm	1,000 scans/s	LED Monochromatic graphical display, 128x64 pixel, with background lighting
50105456	BCL 500i SN 100 H	Line scanner with deflecting mirror Zero position at side at angle of 90 °	RS 232 RS 422 RS 485	200 ... 650 mm	0.25 ... 0.5 mm	1,000 scans/s	Heating LED Monochromatic graphical display, 128x64 pixel, with background lighting
50105453	BCL 500i SN 100	Line scanner with deflecting mirror Zero position at side at angle of 90 °	RS 232 RS 422 RS 485	200 ... 650 mm	0.25 ... 0.5 mm	1,000 scans/s	LED Monochromatic graphical display, 128x64 pixel, with background lighting
50105462	BCL 500i SM 100 H	Line scanner with deflecting mirror Zero position at side at angle of 90 °	RS 232 RS 422 RS 485	300 ... 1,000 mm	0.35 ... 1 mm	1,000 scans/s	Heating LED Monochromatic graphical display, 128x64 pixel, with background lighting
50105459	BCL 500i SM 100	Line scanner with deflecting mirror Zero position at side at angle of 90 °	RS 232 RS 422 RS 485	300 ... 1,000 mm	0.35 ... 1 mm	1,000 scans/s	LED Monochromatic graphical display, 128x64 pixel, with background lighting
50105468	BCL 500i SF 100 H	Line scanner with deflecting mirror Zero position at side at angle of 90 °	RS 232 RS 422 RS 485	500 ... 1,600 mm	0.5 ... 1 mm	1,000 scans/s	Heating LED Monochromatic graphical display, 128x64 pixel, with background lighting
50105465	BCL 500i SF 100	Line scanner with deflecting mirror Zero position at side at angle of 90 °	RS 232 RS 422 RS 485	500 ... 1,600 mm	0.5 ... 1 mm	1,000 scans/s	LED Monochromatic graphical display, 128x64 pixel, with background lighting
50105458	BCL 500i ON 100 H	Oscillating-mirror scanner Zero position at side at angle less than 90°	RS 232 RS 422 RS 485	200 ... 650 mm	0.25 ... 0.5 mm	1,000 scans/s	Heating LED Monochromatic graphical display, 128x64 pixel, with background lighting
50105455	BCL 500i ON 100	Oscillating-mirror scanner Zero position at side at angle less than 90°	RS 232 RS 422 RS 485	200 ... 650 mm	0.25 ... 0.5 mm	1,000 scans/s	LED Monochromatic graphical display, 128x64 pixel, with background lighting
50105464	BCL 500i OM 100 H	Oscillating-mirror scanner Zero position at side at angle less than 90°	RS 232 RS 422 RS 485	300 ... 1,000 mm	0.35 ... 1 mm	1,000 scans/s	Heating LED Monochromatic graphical display, 128x64 pixel, with background lighting
50105461	BCL 500i OM 100	Oscillating-mirror scanner Zero position at side at angle less than 90°	RS 232 RS 422 RS 485	300 ... 1,000 mm	0.35 ... 1 mm	1,000 scans/s	LED Monochromatic graphical display, 128x64 pixel, with background lighting
50105470	BCL 500i OF 100 H	Oscillating-mirror scanner Zero position at side at angle less than 90°	RS 232 RS 422 RS 485	500 ... 1,600 mm	0.5 ... 1 mm	1,000 scans/s	Heating LED Monochromatic graphical display, 128x64 pixel, with background lighting
50105467	BCL 500i OF 100	Oscillating-mirror scanner Zero position at side at angle less than 90°	RS 232 RS 422 RS 485	500 ... 1,600 mm	0.5 ... 1 mm	1,000 scans/s	LED Monochromatic graphical display, 128x64 pixel, with background lighting
50109915	BCL 500i OL 100 H	Oscillating-mirror scanner Zero position at side at angle less than 90°	RS 232 RS 422 RS 485	1,000 ... 2,400 mm	0.7 ... 1 mm	1,000 scans/s	Heating LED Monochromatic graphical display, 128x64 pixel, with background lighting
50109912	BCL 500i OL 100	Oscillating-mirror scanner Zero position at side at angle less than 90°	RS 232 RS 422 RS 485	1,000 ... 2,400 mm	0.7 ... 1 mm	1,000 scans/s	LED Monochromatic graphical display, 128x64 pixel, with background lighting

PROFINET interface

50113184	BCL 548i SN 102 H	Line scanner Front	PROFINET	200 ... 650 mm	0.25 ... 0.5 mm	1,000 scans/s	Heating LED Monochromatic graphical display, 128x64 pixel, with background lighting
50113183	BCL 548i SN 102	Line scanner Front	PROFINET	200 ... 650 mm	0.25 ... 0.5 mm	1,000 scans/s	LED Monochromatic graphical display, 128x64 pixel, with background lighting
50113188	BCL 548i SM 102 H	Line scanner Front	PROFINET	300 ... 1,000 mm	0.35 ... 0.8 mm	1,000 scans/s	Heating LED Monochromatic graphical display, 128x64 pixel, with background lighting
50113187	BCL 548i SM 102	Line scanner Front	PROFINET	300 ... 1,000 mm	0.35 ... 0.8 mm	1,000 scans/s	LED Monochromatic graphical display, 128x64 pixel, with background lighting
50113196	BCL 548i SF 102 H	Line scanner Front	PROFINET	400 ... 1,600 mm	0.5 ... 1 mm	1,000 scans/s	Heating LED Monochromatic graphical display, 128x64 pixel, with background lighting
50113195	BCL 548i SF 102	Line scanner Front	PROFINET	400 ... 1,600 mm	0.5 ... 1 mm	1,000 scans/s	LED Monochromatic graphical display, 128x64 pixel, with background lighting
50113192	BCL 548i SL 102 H	Line scanner Front	PROFINET	1,000 ... 2,400 mm	0.7 ... 1 mm	1,000 scans/s	Heating LED Monochromatic graphical display, 128x64 pixel, with background lighting
50113191	BCL 548i SL 102	Line scanner Front	PROFINET	1,000 ... 2,400 mm	0.7 ... 1 mm	1,000 scans/s	LED Monochromatic graphical display, 128x64 pixel, with background lighting

Part no.	Part description	Reading method Light beam exit	Interface	Reading distance	Module size	Scanning rate	Special design Type of display
50113186	BCL 548i SN 100 H	Line scanner with deflecting mirror Zero position at side at angle of 90 °	PROFINET	200 ... 650 mm	0.25 ... 0.5 mm	1,000 scans/s	Heating LED Monochromatic graphical display, 128x64 pixel, with background lighting
50113185	BCL 548i SN 100	Line scanner with deflecting mirror Zero position at side at angle of 90 °	PROFINET	200 ... 650 mm	0.25 ... 0.5 mm	1,000 scans/s	LED Monochromatic graphical display, 128x64 pixel, with background lighting
50113190	BCL 548i SM 100 H	Line scanner with deflecting mirror Zero position at side at angle of 90 °	PROFINET	300 ... 1,000 mm	0.35 ... 0.8 mm	1,000 scans/s	Heating LED Monochromatic graphical display, 128x64 pixel, with background lighting
50113189	BCL 548i SM 100	Line scanner with deflecting mirror Zero position at side at angle of 90 °	PROFINET	300 ... 1,000 mm	0.35 ... 0.8 mm	1,000 scans/s	LED Monochromatic graphical display, 128x64 pixel, with background lighting
50113198	BCL 548i SF 100 H	Line scanner with deflecting mirror Zero position at side at angle of 90 °	PROFINET	400 ... 1,600 mm	0.5 ... 1 mm	1,000 scans/s	Heating LED Monochromatic graphical display, 128x64 pixel, with background lighting
50113197	BCL 548i SF 100	Line scanner with deflecting mirror Zero position at side at angle of 90 °	PROFINET	400 ... 1,600 mm	0.5 ... 1 mm	1,000 scans/s	LED Monochromatic graphical display, 128x64 pixel, with background lighting
50113200	BCL 548i ON 100 H	Oscillating-mirror scanner Zero position at side at angle less than 90°	PROFINET	200 ... 650 mm	0.25 ... 0.5 mm	1,000 scans/s	Heating LED Monochromatic graphical display, 128x64 pixel, with background lighting
50113199	BCL 548i ON 100	Oscillating-mirror scanner Zero position at side at angle less than 90°	PROFINET	200 ... 650 mm	0.25 ... 0.5 mm	1,000 scans/s	LED Monochromatic graphical display, 128x64 pixel, with background lighting
50113202	BCL 548i OM 100 H	Oscillating-mirror scanner Zero position at side at angle less than 90°	PROFINET	300 ... 1,000 mm	0.35 ... 0.8 mm	1,000 scans/s	Heating LED Monochromatic graphical display, 128x64 pixel, with background lighting
50113201	BCL 548i OM 100	Oscillating-mirror scanner Zero position at side at angle less than 90°	PROFINET	300 ... 1,000 mm	0.35 ... 0.8 mm	1,000 scans/s	LED Monochromatic graphical display, 128x64 pixel, with background lighting
50113206	BCL 548i OF 100 H	Oscillating-mirror scanner Zero position at side at angle less than 90°	PROFINET	400 ... 1,600 mm	0.5 ... 1 mm	1,000 scans/s	Heating LED Monochromatic graphical display, 128x64 pixel, with background lighting
50113205	BCL 548i OF 100	Oscillating-mirror scanner Zero position at side at angle less than 90°	PROFINET	400 ... 1,600 mm	0.5 ... 1 mm	1,000 scans/s	LED Monochromatic graphical display, 128x64 pixel, with background lighting
50113204	BCL 548i OL 100 H	Oscillating-mirror scanner Zero position at side at angle less than 90°	PROFINET	1,000 ... 2,400 mm	0.7 ... 1 mm	1,000 scans/s	Heating LED Monochromatic graphical display, 128x64 pixel, with background lighting
50113203	BCL 548i OL 100	Oscillating-mirror scanner Zero position at side at angle less than 90°	PROFINET	1,000 ... 2,400 mm	0.7 ... 1 mm	1,000 scans/s	LED Monochromatic graphical display, 128x64 pixel, with background lighting

PROFIBUS DP interface

50105493	BCL 504i SN 102 H	Line scanner Front	PROFIBUS DP	200 ... 650 mm	0.25 ... 0.5 mm	1,000 scans/s	Heating LED Monochromatic graphical display, 128x64 pixel, with background lighting
50105490	BCL 504i SN 102	Line scanner Front	PROFIBUS DP	200 ... 650 mm	0.25 ... 0.5 mm	1,000 scans/s	LED Monochromatic graphical display, 128x64 pixel, with background lighting
50105499	BCL 504i SM 102 H	Line scanner Front	PROFIBUS DP	300 ... 1,000 mm	0.35 ... 1 mm	1,000 scans/s	Heating LED Monochromatic graphical display, 128x64 pixel, with background lighting
50105496	BCL 504i SM 102	Line scanner Front	PROFIBUS DP	300 ... 1,000 mm	0.35 ... 1 mm	1,000 scans/s	LED Monochromatic graphical display, 128x64 pixel, with background lighting
50105505	BCL 504i SF 102 H	Line scanner Front	PROFIBUS DP	400 ... 1,600 mm	0.5 ... 1 mm	1,000 scans/s	Heating LED Monochromatic graphical display, 128x64 pixel, with background lighting
50105502	BCL 504i SF 102	Line scanner Front	PROFIBUS DP	400 ... 1,600 mm	0.5 ... 1 mm	1,000 scans/s	LED Monochromatic graphical display, 128x64 pixel, with background lighting
50109899	BCL 504i SL 102 H	Line scanner Front	PROFIBUS DP	1,000 ... 2,400 mm	0.7 ... 1 mm	1,000 scans/s	Heating LED Monochromatic graphical display, 128x64 pixel, with background lighting
50109896	BCL 504i SL 102	Line scanner Front	PROFIBUS DP	1,000 ... 2,400 mm	0.7 ... 1 mm	1,000 scans/s	LED Monochromatic graphical display, 128x64 pixel, with background lighting
50105492	BCL 504i SN 100 H	Line scanner with deflecting mirror Zero position at side at angle of 90 °	PROFIBUS DP	200 ... 650 mm	0.25 ... 0.5 mm	1,000 scans/s	Heating LED Monochromatic graphical display, 128x64 pixel, with background lighting
50105489	BCL 504i SN 100	Line scanner with deflecting mirror Zero position at side at angle of 90 °	PROFIBUS DP	200 ... 650 mm	0.25 ... 0.5 mm	1,000 scans/s	LED Monochromatic graphical display, 128x64 pixel, with background lighting
50105498	BCL 504i SM 100 H	Line scanner with deflecting mirror Zero position at side at angle of 90 °	PROFIBUS DP	300 ... 1,000 mm	0.35 ... 1 mm	1,000 scans/s	Heating LED Monochromatic graphical display, 128x64 pixel, with background lighting
50105495	BCL 504i SM 100	Line scanner with deflecting mirror Zero position at side at angle of 90 °	PROFIBUS DP	300 ... 1,000 mm	0.35 ... 1 mm	1,000 scans/s	LED Monochromatic graphical display, 128x64 pixel, with background lighting

Switching
sensors

Measuring
sensors

Products for
safety at work

Identification

Data transmission /
Control components

Industrial image
processing

Accessories

Part no.	Part description	Reading method Light beam exit	Interface	Reading distance	Module size	Scanning rate	Special design Type of display
50105504	BCL 504i SF 100 H	Line scanner with deflecting mirror Zero position at side at angle of 90 °	PROFIBUS DP	400 ... 1,600 mm	0.5 ... 1 mm	1,000 scans/s	Heating LED Monochromatic graphical display, 128x64 pixel, with background lighting
50105501	BCL 504i SF 100	Line scanner with deflecting mirror Zero position at side at angle of 90 °	PROFIBUS DP	400 ... 1,600 mm	0.5 ... 1 mm	1,000 scans/s	LED Monochromatic graphical display, 128x64 pixel, with background lighting
50105494	BCL 504i ON 100 H	Oscillating-mirror scanner Zero position at side at angle less than 90°	PROFIBUS DP	200 ... 650 mm	0.25 ... 0.5 mm	1,000 scans/s	Heating LED Monochromatic graphical display, 128x64 pixel, with background lighting
50105491	BCL 504i ON 100	Oscillating-mirror scanner Zero position at side at angle less than 90°	PROFIBUS DP	200 ... 650 mm	0.25 ... 0.5 mm	1,000 scans/s	LED Monochromatic graphical display, 128x64 pixel, with background lighting
50105500	BCL 504i OM 100 H	Oscillating-mirror scanner Zero position at side at angle less than 90°	PROFIBUS DP	300 ... 1,000 mm	0.35 ... 1 mm	1,000 scans/s	Heating LED Monochromatic graphical display, 128x64 pixel, with background lighting
50105497	BCL 504i OM 100	Oscillating-mirror scanner Zero position at side at angle less than 90°	PROFIBUS DP	300 ... 1,000 mm	0.35 ... 1 mm	1,000 scans/s	LED Monochromatic graphical display, 128x64 pixel, with background lighting
50105506	BCL 504i OF 100 H	Oscillating-mirror scanner Zero position at side at angle less than 90°	PROFIBUS DP	400 ... 1,600 mm	0.5 ... 1 mm	1,000 scans/s	Heating LED Monochromatic graphical display, 128x64 pixel, with background lighting
50105503	BCL 504i OF 100	Oscillating-mirror scanner Zero position at side at angle less than 90°	PROFIBUS DP	400 ... 1,600 mm	0.5 ... 1 mm	1,000 scans/s	LED Monochromatic graphical display, 128x64 pixel, with background lighting
50109900	BCL 504i OL 100 H	Oscillating-mirror scanner Zero position at side at angle less than 90°	PROFIBUS DP	1,000 ... 2,400 mm	0.7 ... 1 mm	1,000 scans/s	Heating LED Monochromatic graphical display, 128x64 pixel, with background lighting
50109897	BCL 504i OL 100	Oscillating-mirror scanner Zero position at side at angle less than 90°	PROFIBUS DP	1,000 ... 2,400 mm	0.7 ... 1 mm	1,000 scans/s	LED Monochromatic graphical display, 128x64 pixel, with background lighting

Ethernet interface

50105511	BCL 508i SN 102 H	Line scanner Front	Ethernet	200 ... 650 mm	0.25 ... 0.5 mm	1,000 scans/s	Heating LED Monochromatic graphical display, 128x64 pixel, with background lighting
50105508	BCL 508i SN 102	Line scanner Front	Ethernet	200 ... 650 mm	0.25 ... 0.5 mm	1,000 scans/s	LED Monochromatic graphical display, 128x64 pixel, with background lighting
50105517	BCL 508i SM 102 H	Line scanner Front	Ethernet	300 ... 1,000 mm	0.35 ... 0.8 mm	1,000 scans/s	Heating LED Monochromatic graphical display, 128x64 pixel, with background lighting
50105514	BCL 508i SM 102	Line scanner Front	Ethernet	300 ... 1,000 mm	0.35 ... 0.8 mm	1,000 scans/s	LED Monochromatic graphical display, 128x64 pixel, with background lighting
50105523	BCL 508i SF 102 H	Line scanner Front	Ethernet	400 ... 1,600 mm	0.5 ... 1 mm	1,000 scans/s	Heating LED Monochromatic graphical display, 128x64 pixel, with background lighting
50105520	BCL 508i SF 102	Line scanner Front	Ethernet	400 ... 1,600 mm	0.5 ... 1 mm	1,000 scans/s	LED Monochromatic graphical display, 128x64 pixel, with background lighting
50109908	BCL 508i SL 102 H	Line scanner Front	Ethernet	1,000 ... 2,400 mm	0.7 ... 1 mm	1,000 scans/s	Heating LED Monochromatic graphical display, 128x64 pixel, with background lighting
50109905	BCL 508i SL 102	Line scanner Front	Ethernet	1,000 ... 2,400 mm	0.7 ... 1 mm	1,000 scans/s	LED Monochromatic graphical display, 128x64 pixel, with background lighting
50105510	BCL 508i SN 100 H	Line scanner with deflecting mirror Zero position at side at angle of 90 °	Ethernet	200 ... 650 mm	0.25 ... 0.5 mm	1,000 scans/s	Heating LED Monochromatic graphical display, 128x64 pixel, with background lighting
50105507	BCL 508i SN 100	Line scanner with deflecting mirror Zero position at side at angle of 90 °	Ethernet	200 ... 650 mm	0.25 ... 0.5 mm	1,000 scans/s	LED Monochromatic graphical display, 128x64 pixel, with background lighting
50105516	BCL 508i SM 100 H	Line scanner with deflecting mirror Zero position at side at angle of 90 °	Ethernet	300 ... 1,000 mm	0.35 ... 0.8 mm	1,000 scans/s	Heating LED Monochromatic graphical display, 128x64 pixel, with background lighting
50105513	BCL 508i SM 100	Line scanner with deflecting mirror Zero position at side at angle of 90 °	Ethernet	300 ... 1,000 mm	0.35 ... 0.8 mm	1,000 scans/s	LED Monochromatic graphical display, 128x64 pixel, with background lighting
50105522	BCL 508i SF 100 H	Line scanner with deflecting mirror Zero position at side at angle of 90 °	Ethernet	400 ... 1,600 mm	0.5 ... 1 mm	1,000 scans/s	Heating LED Monochromatic graphical display, 128x64 pixel, with background lighting
50105519	BCL 508i SF 100	Line scanner with deflecting mirror Zero position at side at angle of 90 °	Ethernet	400 ... 1,600 mm	0.5 ... 1 mm	1,000 scans/s	LED Monochromatic graphical display, 128x64 pixel, with background lighting
50105512	BCL 508i ON 100 H	Oscillating-mirror scanner Zero position at side at angle less than 90°	Ethernet	200 ... 650 mm	0.25 ... 0.5 mm	1,000 scans/s	Heating LED Monochromatic graphical display, 128x64 pixel, with background lighting

Part no.	Part description	Reading method Light beam exit	Interface	Reading distance	Module size	Scanning rate	Special design Type of display
50105509	BCL 508i ON 100	Oscillating-mirror scanner Zero position at side at angle less than 90°	Ethernet	200 ... 650 mm	0.25 ... 0.5 mm	1,000 scans/s	LED Monochromatic graphical display, 128x64 pixel, with background lighting
50105518	BCL 508i OM 100 H	Oscillating-mirror scanner Zero position at side at angle less than 90°	Ethernet	300 ... 1,000 mm	0.35 ... 0.8 mm	1,000 scans/s	Heating LED Monochromatic graphical display, 128x64 pixel, with background lighting
50105515	BCL 508i OM 100	Oscillating-mirror scanner Zero position at side at angle less than 90°	Ethernet	300 ... 1,000 mm	0.35 ... 0.8 mm	1,000 scans/s	LED Monochromatic graphical display, 128x64 pixel, with background lighting
50105524	BCL 508i OF 100 H	Oscillating-mirror scanner Zero position at side at angle less than 90°	Ethernet	400 ... 1,600 mm	0.5 ... 1 mm	1,000 scans/s	Heating LED Monochromatic graphical display, 128x64 pixel, with background lighting
50105521	BCL 508i OF 100	Oscillating-mirror scanner Zero position at side at angle less than 90°	Ethernet	400 ... 1,600 mm	0.5 ... 1 mm	1,000 scans/s	LED Monochromatic graphical display, 128x64 pixel, with background lighting
50109909	BCL 508i OL 100 H	Oscillating-mirror scanner Zero position at side at angle less than 90°	Ethernet	1,000 ... 2,400 mm	0.7 ... 1 mm	1,000 scans/s	Heating LED Monochromatic graphical display, 128x64 pixel, with background lighting
50109906	BCL 508i OL 100	Oscillating-mirror scanner Zero position at side at angle less than 90°	Ethernet	1,000 ... 2,400 mm	0.7 ... 1 mm	1,000 scans/s	LED Monochromatic graphical display, 128x64 pixel, with background lighting

EtherNet IP interface

50122788	BCL 558i SN 102 H	Line scanner Front	EtherNet IP	200 ... 650 mm	0.25 ... 0.5 mm	1,000 scans/s	Heating LED Monochromatic graphical display, 128x64 pixel, with background lighting
50122787	BCL 558i SN 102	Line scanner Front	EtherNet IP	200 ... 650 mm	0.25 ... 0.5 mm	1,000 scans/s	LED Monochromatic graphical display, 128x64 pixel, with background lighting
50122786	BCL 558i SM 102 H	Line scanner Front	EtherNet IP	300 ... 1,000 mm	0.35 ... 1 mm	1,000 scans/s	Heating LED Monochromatic graphical display, 128x64 pixel, with background lighting
50122785	BCL 558i SM 102	Line scanner Front	EtherNet IP	300 ... 1,000 mm	0.35 ... 1 mm	1,000 scans/s	LED Monochromatic graphical display, 128x64 pixel, with background lighting
50122782	BCL 558i SF 102 H	Line scanner Front	EtherNet IP	400 ... 1,600 mm	0.5 ... 1 mm	1,000 scans/s	Heating LED Monochromatic graphical display, 128x64 pixel, with background lighting
50122781	BCL 558i SF 102	Line scanner Front	EtherNet IP	400 ... 1,600 mm	0.5 ... 1 mm	1,000 scans/s	LED Monochromatic graphical display, 128x64 pixel, with background lighting
50122784	BCL 558i SL 102 H	Line scanner Front	EtherNet IP	1,000 ... 2,400 mm	0.7 ... 1 mm	1,000 scans/s	Heating LED Monochromatic graphical display, 128x64 pixel, with background lighting
50122783	BCL 558i SL 102	Line scanner Front	EtherNet IP	1,000 ... 2,400 mm	0.7 ... 1 mm	1,000 scans/s	LED Monochromatic graphical display, 128x64 pixel, with background lighting
50122780	BCL 558i ON 100 H	Line scanner with deflecting mirror Zero position at side at angle of 90°	EtherNet IP	200 ... 650 mm	0.25 ... 0.5 mm	1,000 scans/s	Heating LED Monochromatic graphical display, 128x64 pixel, with background lighting
50122776	BCL 558i ON 100	Line scanner with deflecting mirror Zero position at side at angle of 90°	EtherNet IP	200 ... 650 mm	0.25 ... 0.5 mm	1,000 scans/s	LED Monochromatic graphical display, 128x64 pixel, with background lighting
50122775	BCL 558i OM 100 H	Line scanner with deflecting mirror Zero position at side at angle of 90°	EtherNet IP	300 ... 1,000 mm	0.35 ... 1 mm	1,000 scans/s	Heating LED Monochromatic graphical display, 128x64 pixel, with background lighting
50122773	BCL 558i OM 100	Line scanner with deflecting mirror Zero position at side at angle of 90°	EtherNet IP	300 ... 1,000 mm	0.35 ... 1 mm	1,000 scans/s	LED Monochromatic graphical display, 128x64 pixel, with background lighting
50122770	BCL 558i OF 100 H	Line scanner with deflecting mirror Zero position at side at angle of 90°	EtherNet IP	400 ... 1,600 mm	0.5 ... 1 mm	1,000 scans/s	Heating LED Monochromatic graphical display, 128x64 pixel, with background lighting
50122769	BCL 558i OF 100	Line scanner with deflecting mirror Zero position at side at angle of 90°	EtherNet IP	400 ... 1,600 mm	0.5 ... 1 mm	1,000 scans/s	LED Monochromatic graphical display, 128x64 pixel, with background lighting
50122772	BCL 558i OL 100 H	Line scanner with deflecting mirror Zero position at side at angle of 90°	EtherNet IP	1,000 ... 2,400 mm	0.7 ... 1 mm	1,000 scans/s	Heating LED Monochromatic graphical display, 128x64 pixel, with background lighting
50122771	BCL 558i OL 100	Line scanner with deflecting mirror Zero position at side at angle of 90°	EtherNet IP	1,000 ... 2,400 mm	0.7 ... 1 mm	1,000 scans/s	LED Monochromatic graphical display, 128x64 pixel, with background lighting

Switching sensors

Measuring sensors

Products for safety at work

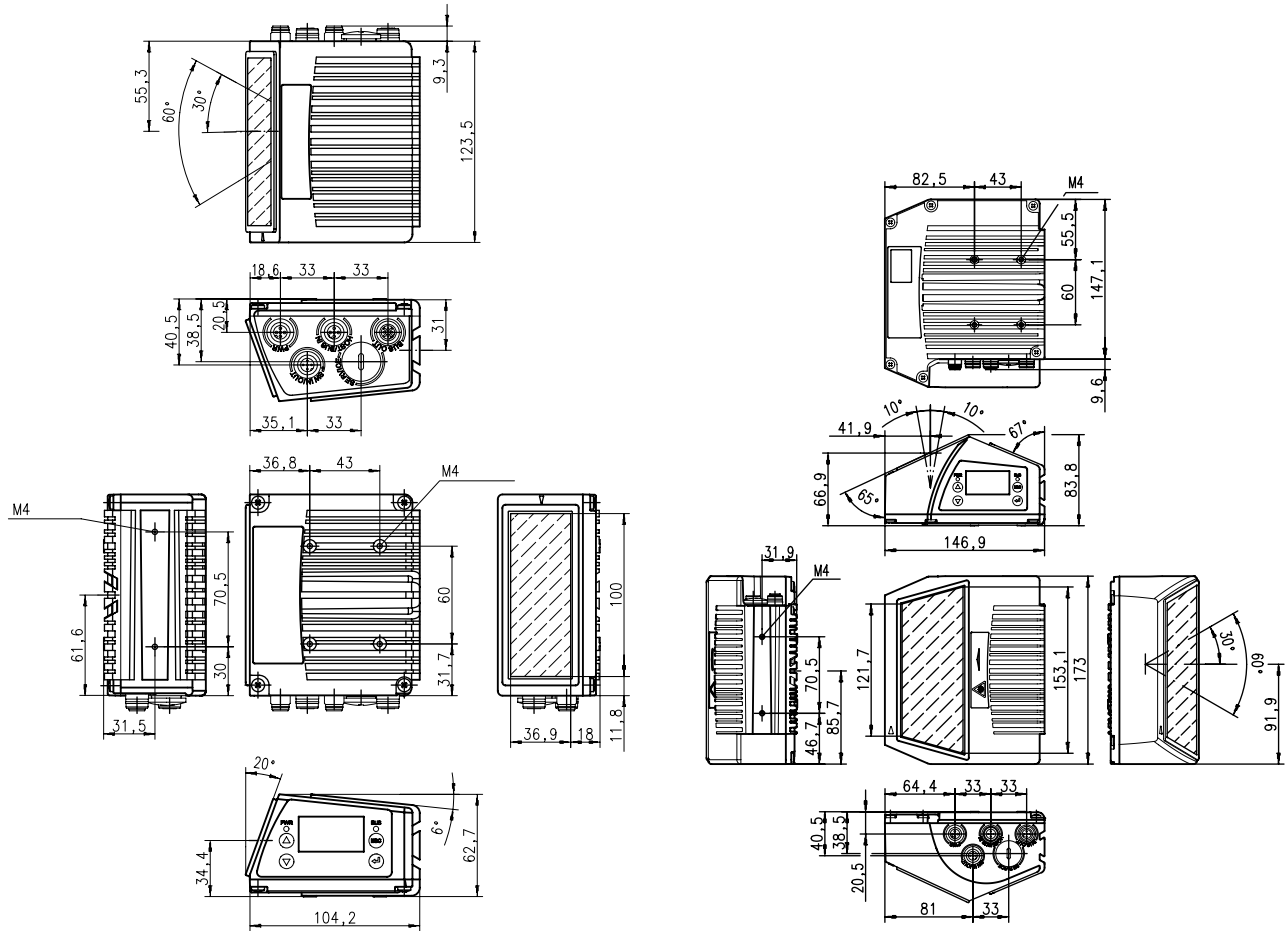
Identification

Data transmission / Control components

Industrial image processing

Accessories

Dimensioned drawings: BCL 500i



BCL 500i bar code readers with front beam exit

BCL 500i bar code readers with deflecting mirror / oscillating mirror

ACCESSORIES: BCL 500i

Connection technology

Connection cables

Part no.	Part description	Connection 1	No. of pins	Cable length	Interface	Sheathing material
50104557	K-D M12A-5P-5m-PVC	Connector, M12, axial, female	5-pin	5,000 mm		PVC
50104187	KB PB-5000-SA	Connector, M12, axial, male	5-pin	5,000 mm	PROFIBUS DP	PUR
50104180	KB PB-5000-BA	Connector, M12, axial, female	5-pin	5,000 mm	PROFIBUS DP	PUR

Further connection cables can be found on our website

Interconnection cables

Part no.	Part description	Connection 1	Connection 1, no. of pins	Connection 2	Connection 2, no. of pins	Cable length	Interface	Sheathing material
50130631	KSS ET-M12-4A-M12-4A-P7-010	Connector, M12, axial, male	4-pin	Connector, M12, axial, male	4-pin	1,000 mm	Ethernet	PUR
50130632	KSS ET-M12-4A-RJ45-A-P7-010	Connector, M12, axial, male	4-pin	RJ45		1,000 mm	Ethernet	PUR
50109881	KB ET-5000-SA-RJ45	Connector, M12, axial, male	4-pin	RJ45		5,000 mm	Ethernet	PUR
50106900	KB ET-5000-SSA	Connector, M12, axial, male	4-pin	Connector, M12, axial, male	4-pin	5,000 mm	Ethernet	PUR
50104098	KB PB-5000-SBA	Connector, M12, axial, female	5-pin	Connector, M12, axial, male	5-pin	5,000 mm	PROFIBUS DP	PUR

Further interconnection cables can be found on our website

User-configurable connectors

Part no.	Part description	Connection	No. of pins	Interface
50108991	D-ET1	RJ45		Ethernet
50040155	KS 095-4A	Connector, M12, axial, male	4-pin	
50112155	S-M12A-ET	Connector, M12, axial, male	4-pin	Ethernet
50038538	KD 02-5-BA	Connector, M12, axial, female	5-pin	PROFIBUS DP, multiNet Plus
50038537	KD 02-5-SA	Connector, M12, axial, male	5-pin	PROFIBUS DP, multiNet Plus
50020501	KD 095-5A	Connector, M12, axial, female	5-pin	

Further connectors can be found on our website

Mounting systems

Rod mounts

Part no.	Part description	Design	Fastening at device	Fastening at system	Material
50027375	BT 56	Mounting system	Clampable	For 16 mm rod, for 18 mm rod, for 20 mm rod	Metal
50111224	BT 59		Clampable	Groove mounting	Metal

Further rod mounts can be found on our website

Switching sensors

Measuring sensors

Products for safety at work

Identification

Data transmission / Control components

Industrial image processing

Accessories