

/// MLD 510



These single light beam safety devices are equipped with an automatic restart.



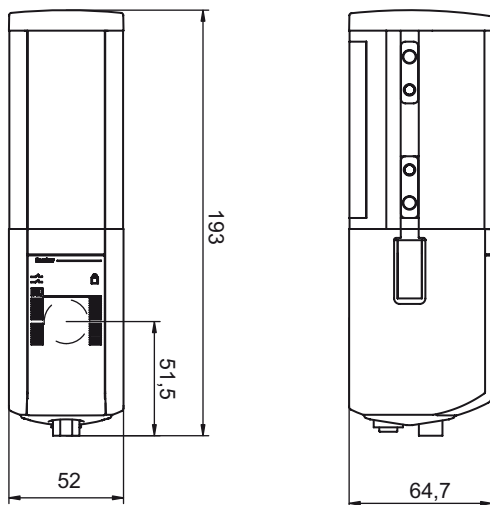
Benefits:

- The configuration is simply performed by means of wiring, i.e. no software, PC or DIP switch are necessary
- Use at ambient temperatures as low as -30 °C is possible
- Options: integrated laser alignment aid

Part no.	Part description	Operating range	Connection	Light source	Design
66533000	▶ MLD510-R1		Connector, M12, 5-pin, metal		
66501000	◀ MLD500-T1	0.5 ... 70 m	Connector, M12, 5-pin, metal	LED, infrared	
66533400	▶ MLD510-XR1		Connector, M12, 5-pin, metal		
66501400	◀ MLD500-XT1	20 ... 100 m	Connector, M12, 5-pin, metal	LED, infrared	
66533001	▶ MLD510-R1/A		Connector, M12, 5-pin, metal		AS-Interface Safety at Work
66501001	◀ MLD500-T1/A	0.5 ... 70 m	Connector, M12, 5-pin, metal	LED, infrared	AS-Interface Safety at Work
66533401	▶ MLD510-XR1/A		Connector, M12, 5-pin, metal		AS-Interface Safety at Work
66501401	◀ MLD500-XT1/A	20 ... 100 m	Connector, M12, 5-pin, metal	LED, infrared	AS-Interface Safety at Work
66533002	▶ MLD510-R1E/A		Connector, M12, 5-pin, metal		AS-Interface Safety at Work, connection socket for external muting indicator
66501001	◀ MLD500-T1/A	0.5 ... 70 m	Connector, M12, 5-pin, metal	LED, infrared	AS-Interface Safety at Work
66533402	▶ MLD510-XR1E/A		Connector, M12, 5-pin, metal		AS-Interface Safety at Work, connection socket for external muting indicator
66501401	◀ MLD500-XT1/A	20 ... 100 m	Connector, M12, 5-pin, metal	LED, infrared	AS-Interface Safety at Work
66536001	▶ MLD510-R1L/A		Connector, M12, 5-pin, metal		AS-Interface Safety at Work, reflective element for laser alignment aid
66502001	◀ MLD500-T1L/A	0.5 ... 70 m	Connector, M12, 5-pin, metal	LED, infrared	AS-Interface Safety at Work, integrated laser alignment aid
66536002	▶ MLD510-R1LE/A		Connector, M12, 5-pin, metal		AS-Interface Safety at Work, reflective element for laser alignment aid, connection socket for external muting indicator
66502001	◀ MLD500-T1L/A	0.5 ... 70 m	Connector, M12, 5-pin, metal	LED, infrared	AS-Interface Safety at Work, integrated laser alignment aid
66536000	▶ MLD510-R1L		Connector, M12, 5-pin, metal		Reflective element for laser alignment aid
66502000	◀ MLD500-T1L	0.5 ... 70 m	Connector, M12, 5-pin, metal	LED, infrared	Integrated laser alignment aid

▶ receiver / ◀ transmitter
 Included in delivery: sliding blocks

Dimensioned drawings: MLD 510



MLD 510 single light beam safety device