

Technical data sheet

Signaling column

Part no.: 50138252

A7-V1-MP1-DS-M7-T-100

Contents

- Technical data
- Dimensioned drawings
- Electrical connection
- Notes
- Accessories



Figure can vary



Technical data

Basic data

Series	A7
Type of signaling	Optical

Electrical data

Life expectancy	> 100,000 h
Performance data	
Supply voltage U_B	24 V, DC, 10 %
Current consumption, max.	70 mA

Connection

Number of connections	1 Piece(s)
Connection 1	
Function	Light color programmable via actuation of wires
	Voltage supply
Type of connection	Cable, soldered to lens / open end
Cable length	1,500 mm
Number of conductors	6 -wire

Mechanical data

Design	Cylindrical
Dimension (\varnothing x L)	70 mm x 203 mm
Housing material	Metal
	Plastic
Net weight	313 g
Housing color	Black
	Gray
Type of fastening, at system	Screw type / horizontal
Type of illuminant	LED/24V
Lens modules	1 piece
Display of the lens colors	7 colors can be selected
Signal image	Continuous or flashing light
Lens colors	Blue
	Green
	Pink
	Red
	Turquoise
	White
	Yellow
Angle of radiation	360°

Certifications

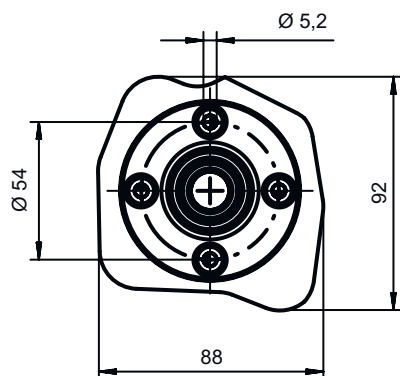
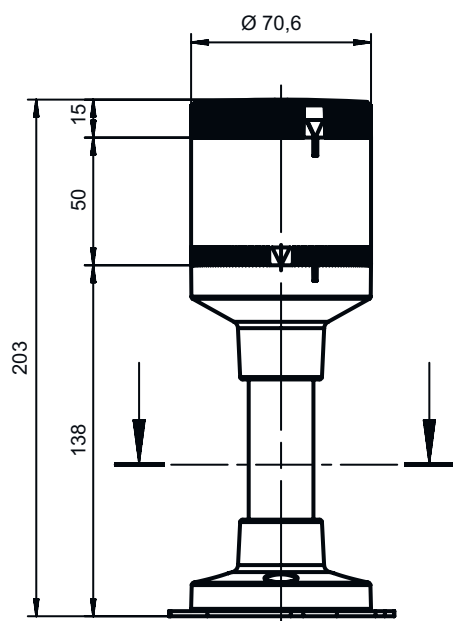
Degree of protection	IP 66, Only when mounted on a housing with the same degree of protection
Certifications	CE
	CSA

Classification

Customs tariff number	85318070
eCl@ss 8.0	27371220
eCl@ss 9.0	27371220
ETIM 5.0	EC000232
ETIM 6.0	EC000232

Dimensioned drawings

All dimensions in millimeters



Electrical connection

Connection 1

Function	Light color programmable via actuation of wires Voltage supply
Type of connection	Cable, soldered to lens / open end
Cable length	1,500 mm
Sheathing material	PVC
Cable color	Gray
Number of conductors	6 -wire
Wire cross section	0.34 mm ²

Electrical connection

Conductor color	Conductor assignment
Black	GND
Red	Multicolor light color: red
Green	Multicolor light color: green
Blue	Multicolor light color: blue
BlueRed	Multicolor light color: pink
GreenRed	Multicolor light color: yellow
BlueGreen	Multicolor light color: turquoise
BlueGreenRed	Multicolor light color: white
Yellow	Light color: orange
White	Light color: white / buzzer
NOTE	Connect all listed wires to obtain the corresponding light color.

Notes

Observe intended use!

	<ul style="list-style-type: none"> ⚡ This product is not a safety sensor and is not intended as personnel protection. ⚡ The product may only be put into operation by competent persons. ⚡ Only use the product in accordance with its intended use.
--	---

Accessories



Mounting technology - Mounting brackets

	Part no.	Designation	Article	Description
	50137729	A7-MW1	Signaling column element	Design: Angle, L-shape Fastening, at system: Through-hole mounting
	50142896	A7-MW2	Signaling column element	Design: Angle, L-shape Fastening, at system: Through-hole mounting

Mounting technology - Other

	Part no.	Designation	Article	Description
	50135462	A7-V1-BZ1-M	Signaling column element	Signaling: Acoustic Current consumption, max.: 70 mA Design: Cylindrical Diameter: 70 mm Fastening: Bayonet system Operational controls: DIP switch, 225° potentiometer Ambient temperature: -10 ... 60 °C Degree of protection: IP 66 Tone type: Continuous or pulse tone Sound pressure: 100 dB Number of tones: 8 Piece(s)

Accessories

	Part no.	Designation	Article	Description
	50138151	A7-V1-BZ2-S	Signaling column element	Signaling: Acoustic Current consumption, max.: 20 mA Design: Cylindrical Diameter: 70 mm Fastening: Bayonet system Operational controls: 225° potentiometer Ambient temperature: -10 ... 60 °C Degree of protection: IP 66 Tone type: Continuous tone Sound pressure: 105 dB Number of tones: 1 Piece(s)
	50138366	A7-V1-BZ3-S	Signaling column element	Signaling: Acoustic Current consumption, max.: 30 mA Design: Cylindrical Diameter: 70 mm Fastening: Bayonet system Operational controls: 225° potentiometer Ambient temperature: -10 ... 60 °C Degree of protection: IP 66 Tone type: Pulse tone Sound pressure: 105 dB Number of tones: 1 Piece(s)

Note



A list with all available accessories can be found on the Leuze website in the Download tab of the article detailed page.