

## Technical data sheet

### Signaling column

Part no.: 50135466

A7-V1-MP1-DS-ROG-T-100

#### Contents

- Technical data
- Dimensioned drawings
- Electrical connection
- Notes
- Accessories



Figure can vary



## Technical data

### Basic data

Series	A7
Type of signaling	Optical

### Electrical data

Life expectancy	> 100,000 h
<b>Performance data</b>	
Supply voltage $U_B$	24 V, DC, 10 %
Current consumption, max.	130 mA

### Connection

Number of connections	1 Piece(s)
<b>Connection 1</b>	
Function	Voltage supply
Type of connection	Terminal
Cable length	1,500 mm
Number of conductors	6 -wire
<b>Connection 2</b>	
Type of connection	Open end

### Mechanical data

Design	Cylindrical
Dimension ( $\varnothing$ x L)	70 mm x 297 mm
Housing material	Metal Plastic
Net weight	535 g
Housing color	Black Gray
Type of fastening, at system	Screw type / horizontal
Type of illuminant	LED/24V
Lens modules	3 pieces, ready-made
Signal image	Continuous light
Angle of radiation	360°
Sequence of the modules (ascending)	Green, orange, red

### Certifications

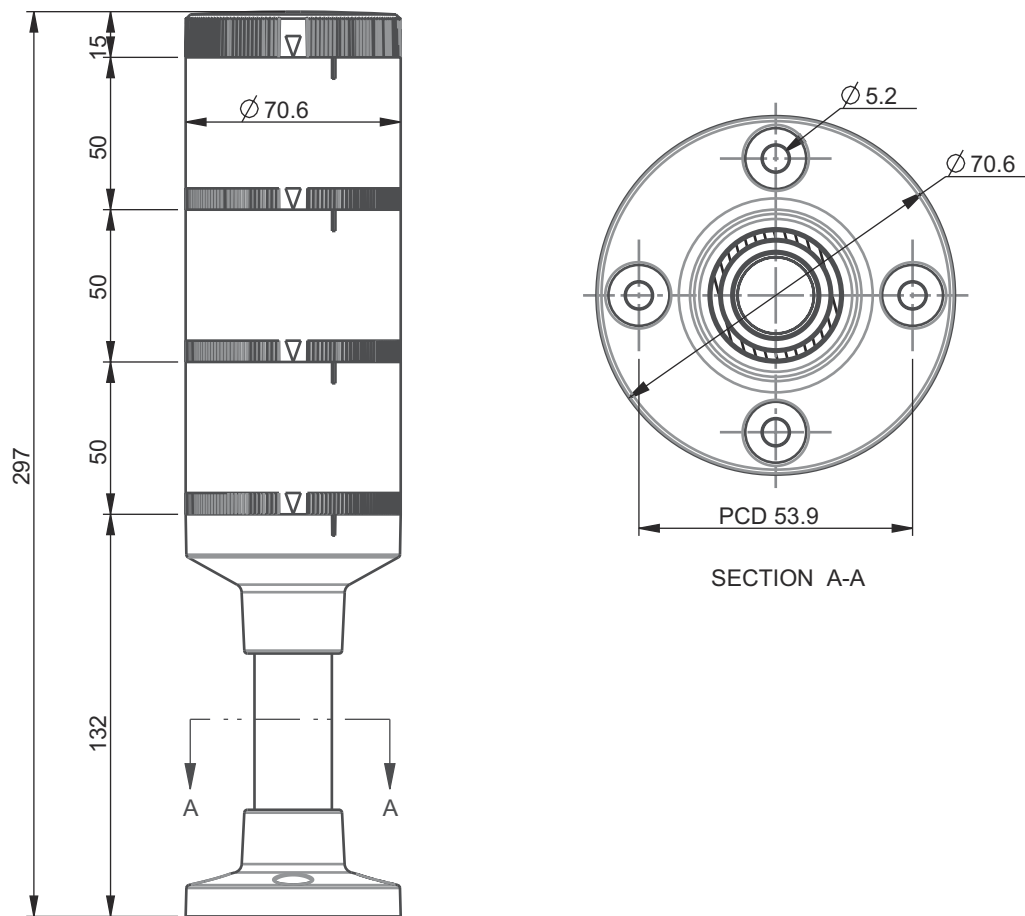
Degree of protection	IP 66, Only when mounted on a housing with the same degree of protection
Certifications	CE CSA

### Classification

Customs tariff number	85318070
eCl@ss 8.0	27371220
eCl@ss 9.0	27371220
ETIM 5.0	EC000232
ETIM 6.0	EC000232

## Dimensioned drawings

All dimensions in millimeters



## Electrical connection

### Connection 1

Function	Voltage supply
Type of connection	Terminal
Type of terminal	Tension spring technology
Cable length	1,500 mm
Sheathing material	PVC
Cable color	Gray
Number of conductors	6 -wire
Wire cross section	0.34 mm <sup>2</sup>

### Conductor color

### Conductor assignment

Black	GND
Green	Light color: green
Yellow	Light color: orange
Red	Light color: red
Blue	Light color: blue
White	Light color: white / buzzer



# Electrical connection

## Connection 2

Type of connection



Open end

## Notes


 <b>Observe intended use!</b>	
	<ul style="list-style-type: none"> <li>⚡ This product is not a safety sensor and is not intended as personnel protection.</li> <li>⚡ The product may only be put into operation by competent persons.</li> <li>⚡ Only use the product in accordance with its intended use.</li> </ul>

## Accessories

### Mounting technology - Mounting brackets

	Part no.	Designation	Article	Description
	50137729	A7-MW1	Signaling column element	Design: Angle, L-shape Fastening, at system: Through-hole mounting
	50142896	A7-MW2	Signaling column element	Design: Angle, L-shape Fastening, at system: Through-hole mounting

#### Note

	<p>⚡ A list with all available accessories can be found on the Leuze website in the Download tab of the article detailed page.</p>
--	--