



Part no.: 540352
BT-SET-240BCS-E
Mounting bracket set

Figure can vary

Contents

- . Technical data
- . Set consists of
- . Dimensioned drawings



Part no.: 540352 – BT-SET-240BCS-E – Mounting bracket set

Technical data

Basic data

Suitable for MLD 500, MLD 300 multiple light beam safety devices

Mechanical data

Type of fastening, at system Through-hole mounting

Type of fastening, at device Clampable

Type of mounting device Turning, 240°
Shock absorber



Mounting device material Metal
Plastic

Classification

eCl@ss 8.0 27279202

eCl@ss 9.0 27273701

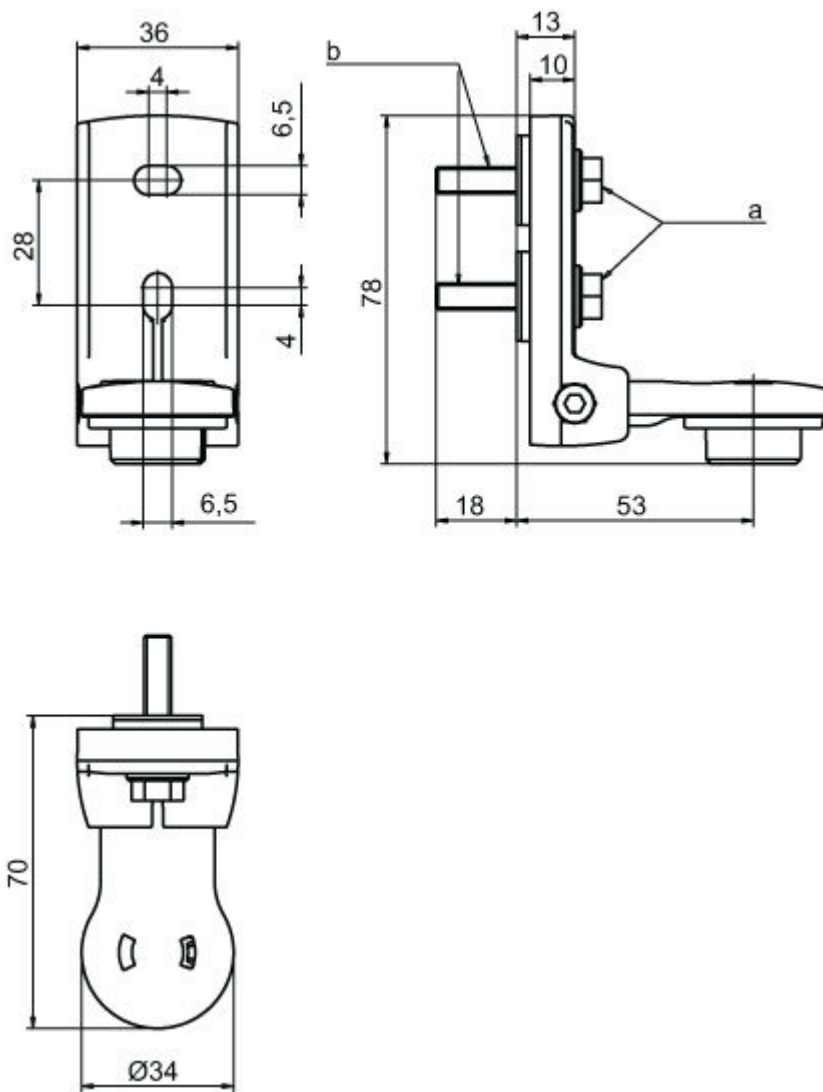
Set consists of

	Quantity	Part no.	Designation	Article	Description
	1	540356	BT-SET-240BS-E	Mounting bracket	Mounting bracket, at system: Through-hole mounting Mounting bracket, at device: Clampable Type of mounting device: Turning, 240°, Shock absorber Material: Metal, Plastic Shock absorber: Yes
	1	540355	BT-SET-240CS-E	Mounting bracket	Mounting bracket, at system: Through-hole mounting Mounting bracket, at device: Clampable Type of mounting device: Shock absorber, Turning, 240° Material: Metal, Plastic Shock absorber: Yes

Dimensioned drawings

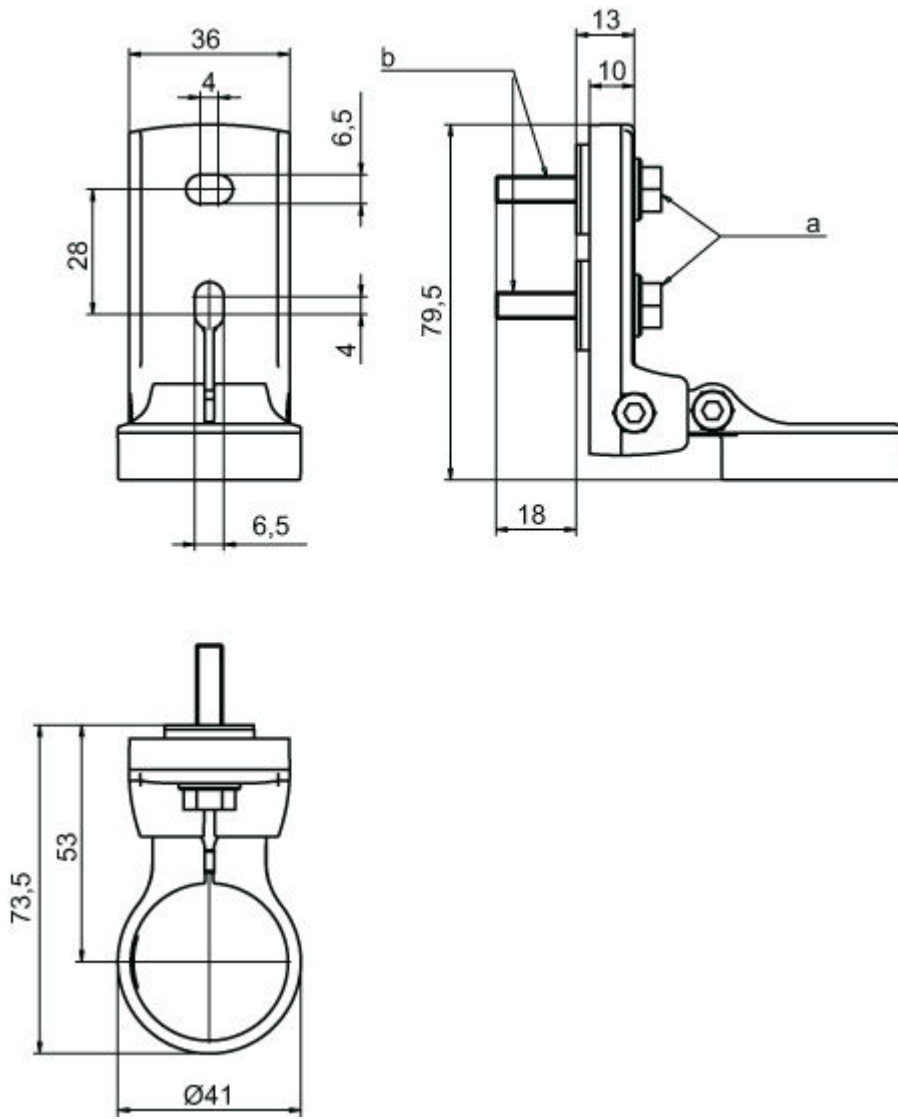
All dimensions in millimeters

BT-SET-240BS-E swivel mount



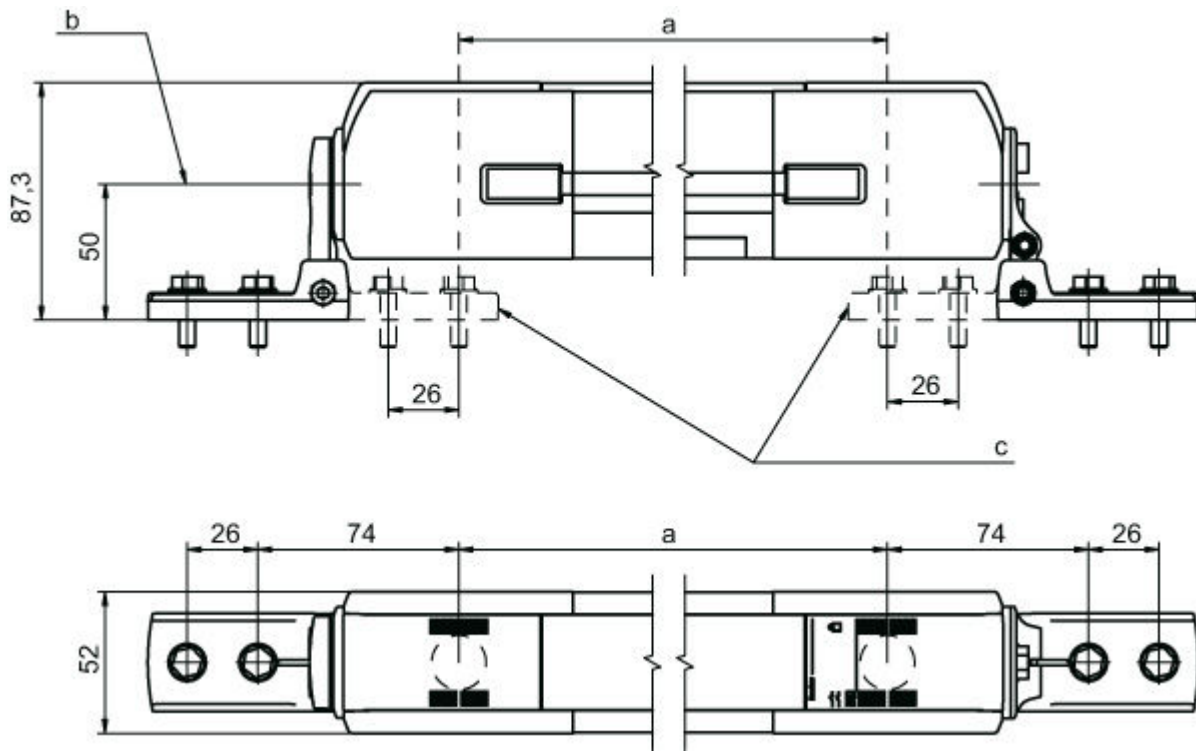
- a M6 screw
b Shock absorber, M6 thread

BT-SET-240CS-E swivel mount



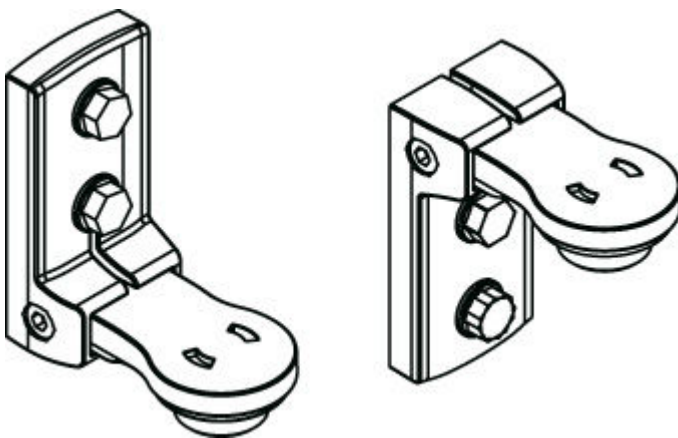
- a M6 screw
- b Shock absorber, M6 thread

Mounting dimensions



- a Beam spacing
- b Swivel axis
- c Alternative mounting variant

Mounting variants



Mounting variants

