

Technical data sheet Mounting bracket set

Part no.: 560341

BT-SET-240CC

Contents

- Technical data
- Dimensioned drawings



Figure can vary

Technical data

Basic data

Suitable for MLD-M002, MLD-M003 deflecting mirror

Mechanical data

Type of fastening, at system Through-hole mounting

Type of fastening, at device Clampable

Type of mounting device Turning, 240°

Mounting device material Metal

Classification

Customs tariff number 73269098

eCl@ss 8.0 27279202

eCl@ss 9.0 27273701

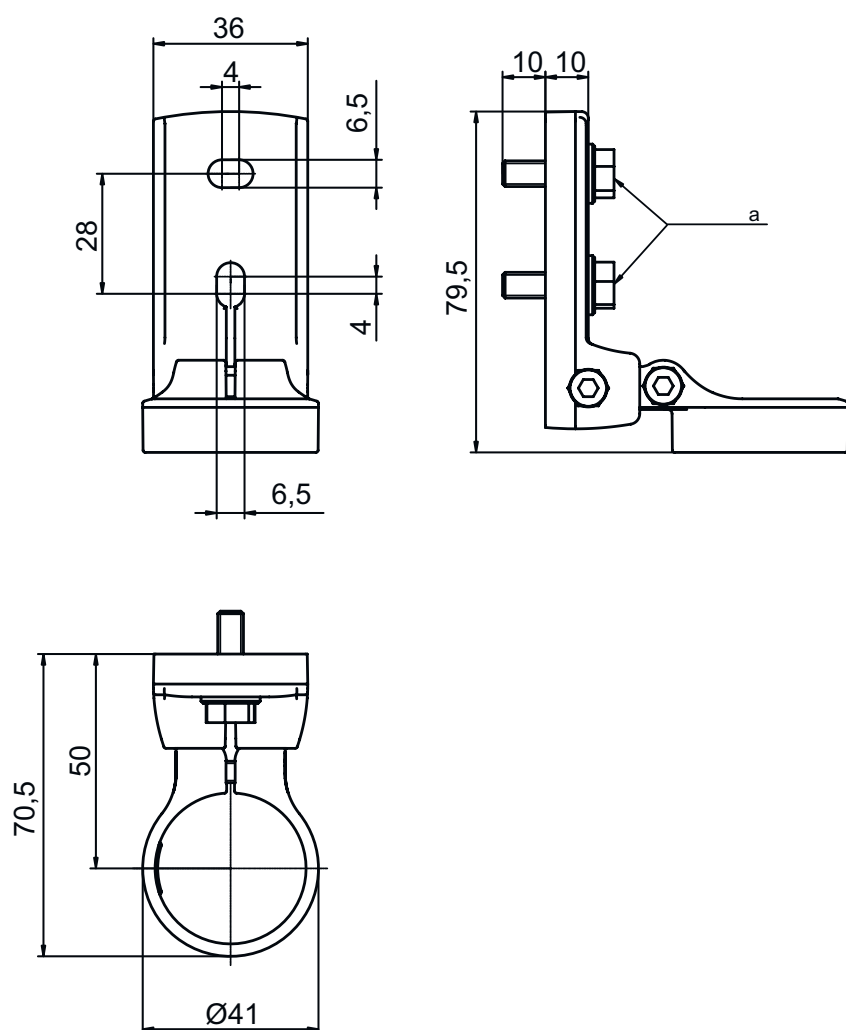
ETIM 5.0 EC003015

ETIM 6.0 EC003015

Dimensioned drawings

All dimensions in millimeters

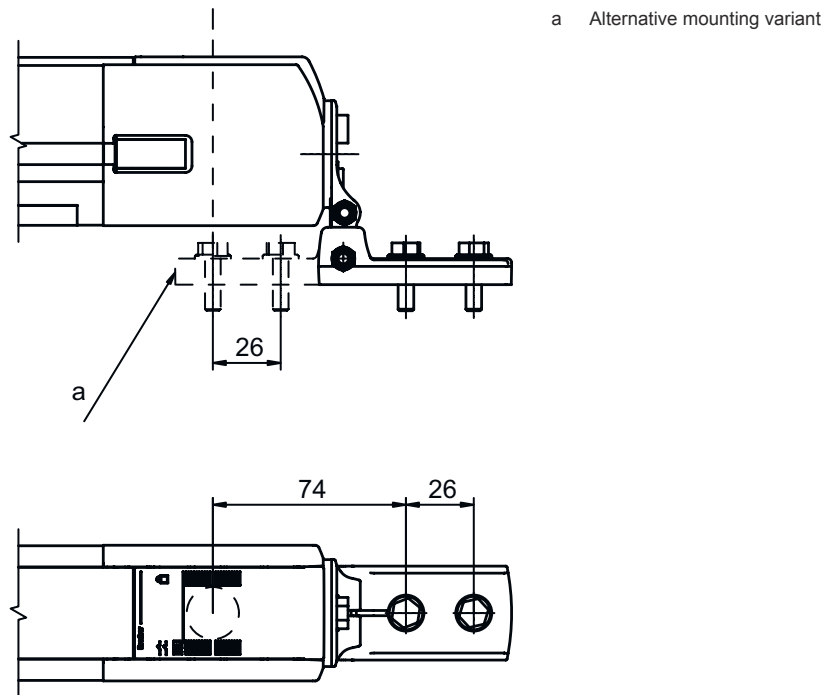
BT-SET-240C swivel mount



a M6 screw

Dimensioned drawings

Mounting dimensions



Mounting variants

