

## LF SERIES CLASS J FUSEBLOCKS

600 Volt



### Description

The new Littelfuse 600 V Class J blocks offer generous space savings and enhanced value over previous generations, such as indication, snap-to-release DIN Rail mounting and universal mounting holes.

### Features/Benefits

- Space-saving design—up to 45% smaller than existing blocks
- Universal mounting holes for easy replacement
- Indication offered on all versions except 200 A–600 A
- One hand release from DIN Rail for all non-knife blade style fuses
- Reinforced fuse clips are standard on all Class J blocks
- Covers available for 100 A and lower to enhance safety

### Specifications

<b>Voltage Ratings:</b>	600 V
<b>Ampere Ratings:</b>	0 – 600 A
<b>Leakage Current:</b>	<0.6 mA at 600 V
<b>Flammability Rating:</b>	UL94 V-0
<b>Approvals:</b>	UL Listed: File No. E14721 CSA Certified: File No. LR73091
<b>Environmental:</b>	RoHS Compliant Lead (Pb) Free

### Recommended Fuses

**Time Delay**  
Series: JTD\_ID  
Series: JTD

**Fast Acting**  
Series: JLS

For information about Touch-Safe Class J fuseholders:  
<http://www.littelfuse.com/lpsj>

### Web Resources

Sample requests, downloadable CAD drawings, fuseblock cover datasheet and other technical information:  
<http://www.littelfuse.com/fuseblocks>  
<http://www.littelfuse.com/lfj>

### Ordering Information (Class J 600 V)

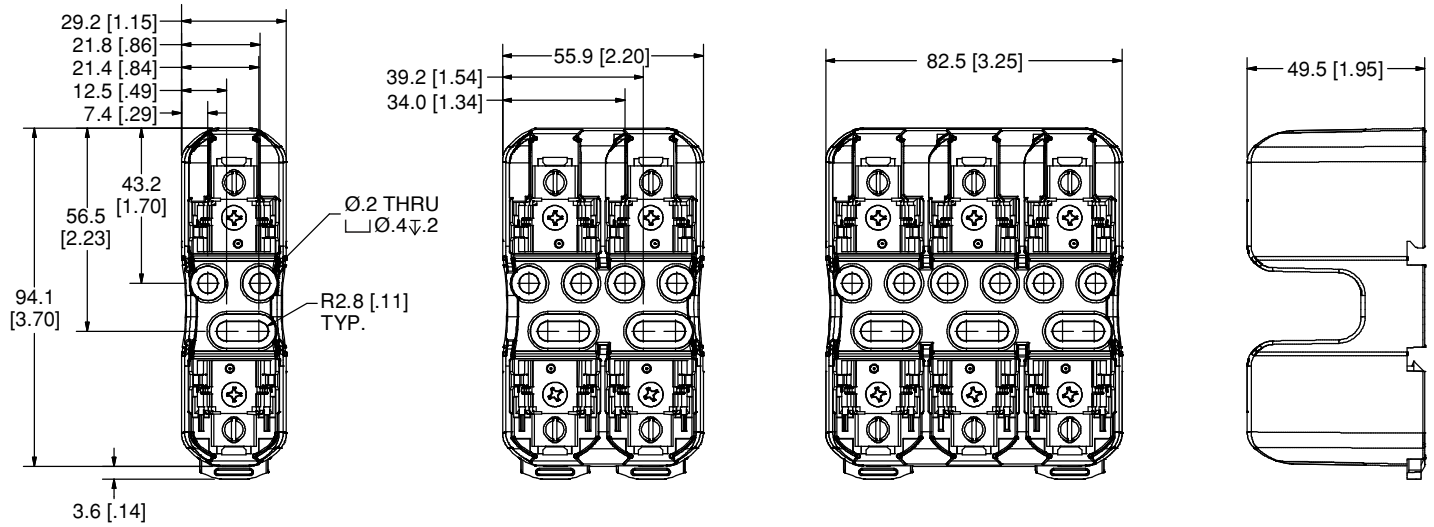
AMP RATING	POLES	CATALOG/SYSTEM NUMBER				TORQUE	TERMINAL	WIRE RANGE	WIRE TYPE	BASE TEMP RATING	DIN RAIL MOUNT	INDICATION	COVER ORDERING NUMBER*		
		BASE PART NUMBER	SUFFIX												
			BOX LUG	PRESSURE PLATE	SCREW										
30	1	LFJ600301	CID	PID	SID	2.8 N-m (25 in-lbs)	C	6-14 AWG	CU Only	Solid/ Stranded	125°C	•	•	LFJ60030FBC	
	2	LFJ600302	CID	PID	SID		P	10-14 AWG							
	3	LFJ600303	CID	PID	SID		S	10-22 AWG							
60	1	LFJ600601	CID	—	—	5.6 N-m (50 in-lbs)	2-4 AWG		CU-AL	Solid/ Stranded	125°C	•	•	LFJ60060FBC	
	2	LFJ600602	CID	—	—	2.8 N-m (25 in-lbs)	6-14 AWG								
	3	LFJ600603	CID	—	—	13.6 N-m (120 in-lbs)	2/0-6 AWG								
100	1	LFJ601001	CID	—	—	4.5 N-m (40 in-lbs)	8 AWG		CU-AL	Solid/ Stranded	130°C	—	•	LFJ60100FBC	
	3	LFJ601003	CID	—	—	4.0 N-m (35 in-lbs)	10-14 AWG								
	1	LFJ602001	C	—	—	31.1 N-m (275 in-lbs)	250 kcmil-6								
200	3	LFJ602003	C	—	—	31.1 N-m (275 in-lbs)			CU-AL	Solid/ Stranded	130°C	—	—	—	
	1	LFJ604001	C	—	—		31.1 N-m (275 in-lbs)	(2) 350 kcmil-1/0							
400	3	LFJ604003	C	—	—	42.4 N-m (375 in-lbs)				CU-AL	Solid/ Stranded	130°C	—	—	—
	1	LFJ606001	C	—	—		(2) 500 kcmil-4								
600	3	LFJ606003	C	—	—					CU-AL	Solid/ Stranded	130°C	—	—	—
	1	LFJ606001	C	—	—										

Note: Reinforcing springs standard on all Class J fuseblocks.  
\*Covers sold individually. One cover needed for each pole.

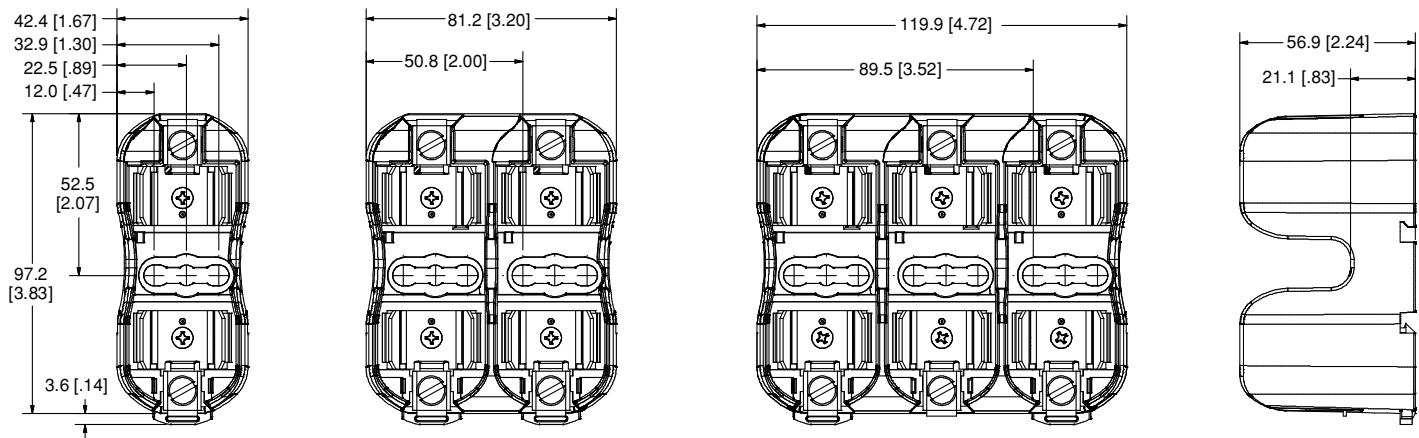
# LF SERIES CLASS J FUSEBLOCKS

## Dimensions in mm (inches)

### 600 V 30 A



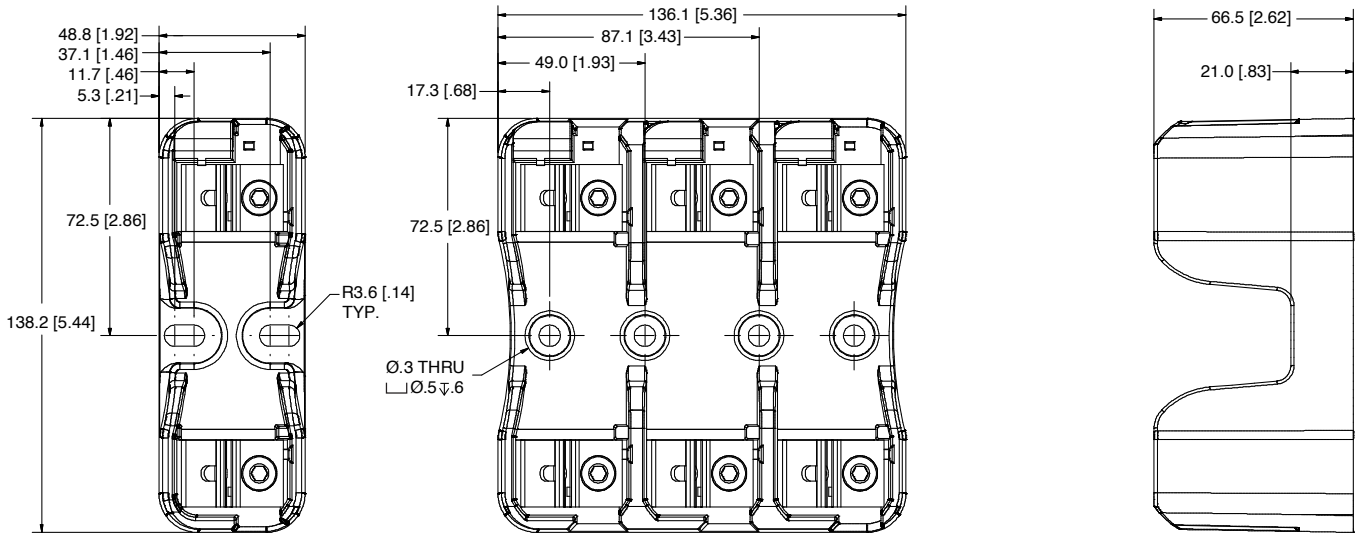
### 600 V 60 A



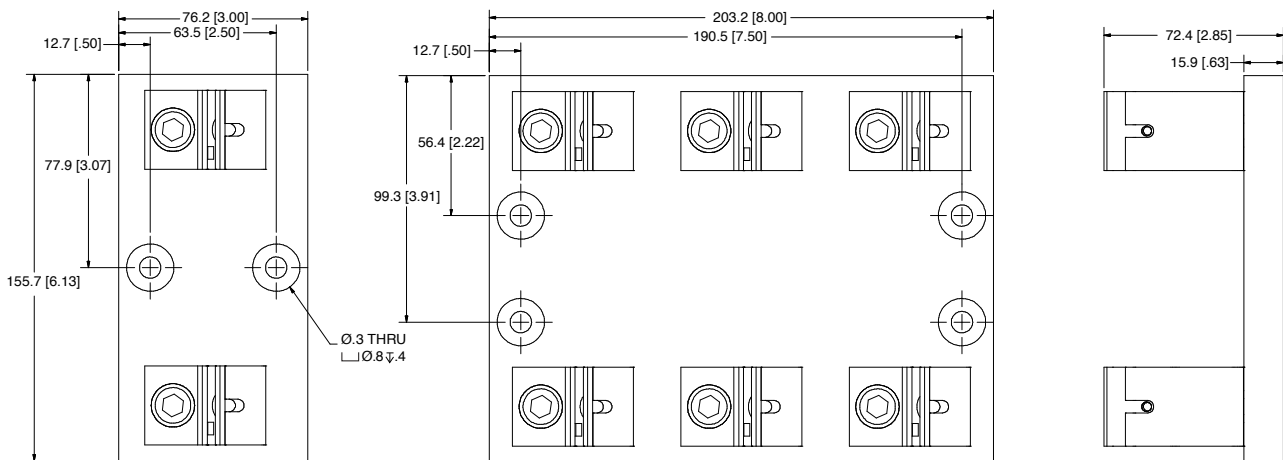
# LF SERIES CLASS J FUSEBLOCKS

## Dimensions in mm (inches)

### 600 V 100 A



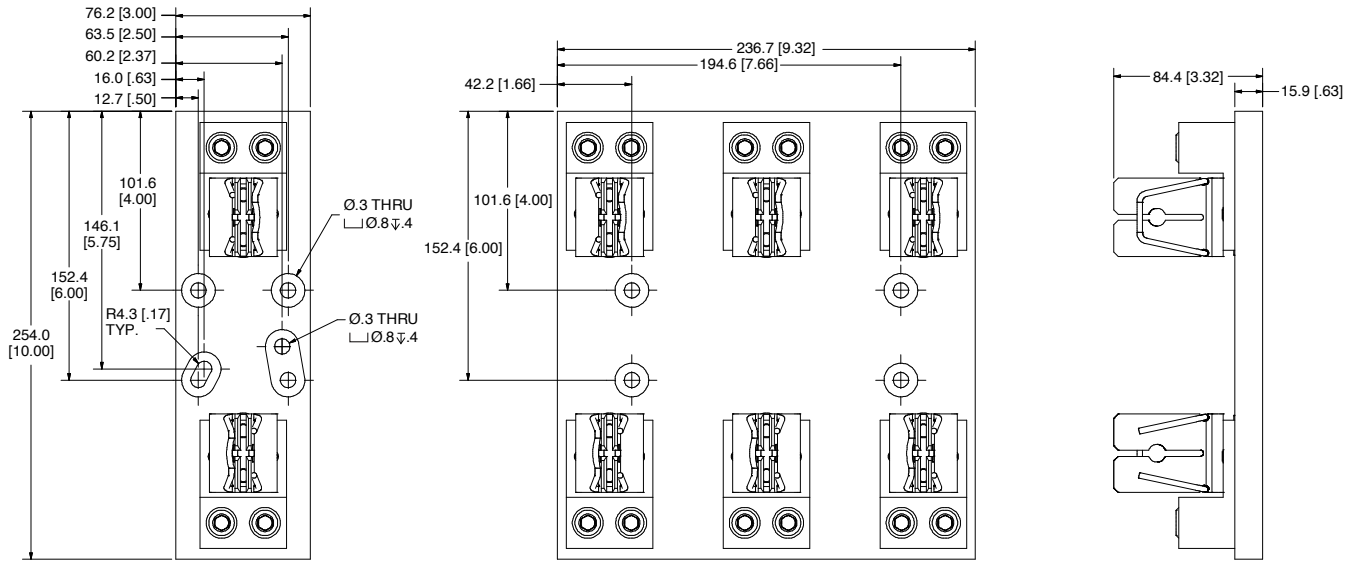
### 600 V 200 A



# LF SERIES CLASS J FUSEBLOCKS

## Dimensions in mm (inches)

### 600 V 400 A



### 600 V 600 A

