

LF SERIES CLASS T FUSEBLOCKS



- Reinforced fuse clips are standard
- Larger blocks employ integral heat sink for maximum heat dissipation
- Covers available for most amperages to enhance safety

Specifications

Voltage Ratings:	300 VAC/600 VAC
Ampere Ratings:	0 – 600 A
Leakage Current:	<0.6 mA at 600 V
Flammability Rating:	UL94 V-0
Approvals:	UL Listed (File No. E14721) CSA Certified (File No. LR73091)
Environmental:	RoHS Compliant, Lead (Pb) Free

Description

The new Littelfuse Class T fuse blocks offer many advantages over previous generations. Particular value is the space savings these new blocks provide.

Features/Benefits

- Compact design for increased space savings
- Universal mounting holes for easy replacement
- DIN Rail releasable for all 30 - 60 A fuse blocks
- Only one hand is required to release from DIN Rail

Recommended Fuses

300 V: JLLN **600 V:** JLLS

Web Resources

Sample requests, downloadable CAD drawings, fuseblock cover datasheet and other technical information:

www.littelfuse.com/lft
www.littelfuse.com/fuseblocks

Ordering Information (Class T 300 V)

AMP RATING	CATALOG/SYSTEM NUMBER							TORQUE	WIRE RANGE	WIRE TYPE	BASE TEMP RATING	DIN RAIL MOUNT	COVER ORDERING NUMBER*
	BASE SYSTEM NUMBER	POLES			TERMINAL SUFFIX								
		1	2	3	BOX LUG	PRESSURE PLATE	SCREW						
30	LFT30030	1	2	3	C	—	—	5.6 N-m (50 in-lbs) 2.8 N-m (25 in-lbs)	2-4 AWG 6-14 AWG	CU-AL Solid/Stranded	125°C	•	LFT30030FBC
60	LFT30060	1	2	3	C	—	—	5.6 N-m (50 in-lbs) 2.8 N-m (25 in-lbs) 13.6 N-m (120 in-lbs)	2-4 AWG 6-14 AWG 2/0-6 AWG				LFT30060FBC
100	LFT30100	1	—	3	CS	—	—	4.5 N-m (40 in-lbs) 4.0 N-m (35 in-lbs)	8 AWG 10-14 AWG	CU-AL Solid/Stranded	130°C	—	LFT30100FBC
200	LFT30200	1	—	3	CS	—	—	31.1 N-m (275in-lb)	250 kcmil-6				—
400	LFT30400	1	—	3	CS	—	—	(2) 31.1 N-m (275in-lb)	250 kcmil-6				—
600	LFT30600	1	—	3	CS	—	—	(2) 42.4 N-m (375in-lb)	500 kcmil-6				—

*Covers sold individually. One cover needed for each pole.

Ordering Information (Class T 600 V)

AMP RATING	CATALOG/SYSTEM NUMBER							TORQUE	WIRE RANGE	WIRE TYPE	BASE TEMP RATING	DIN RAIL MOUNT	COVER ORDERING NUMBER*
	BASE SYSTEM NUMBER	POLES			TERMINAL SUFFIX								
		1	2	3	BOX LUG	PRESSURE PLATE	SCREW						
30	LFT60030	1	2	3	C	P	S	5.6 N-m (50 in-lbs) 2.8 N-m (25 in-lbs)	2-4 AWG 6-14 AWG	** CU-AL Solid/Stranded	125°C	•	LFT60030FBC
60	LFT60060	1	2	3	C	—	—	5.6 N-m (50 in-lbs) 2.8 N-m (25 in-lbs) 13.6 N-m (120 in-lbs)	2-4 AWG 6-14 AWG 2/0-6 AWG				LFT60060FBC
100	LFT60100	1	—	3	CS	—	—	4.0 N-m (40 in-lbs) 4.0 N-m (35 in-lbs)	8 AWG 10-14 AWG	CU-AL Solid/Stranded	130°C	—	LT60100FBC
200	LFT60200	1	—	3	CS	—	—	31.1 N-m (275in-lb)	250 kcmil-6				LT60200FBC
400	LFT60400	1	—	3	CS	—	—	(2) 31.1 N-m (275in-lb)	250 kcmil-6				LT60400FBC
600	LFT60600	1	—	3	CS	—	—	(2) 42.4 N-m (375in-lb)	500 kcmil-6				LT60600FBC

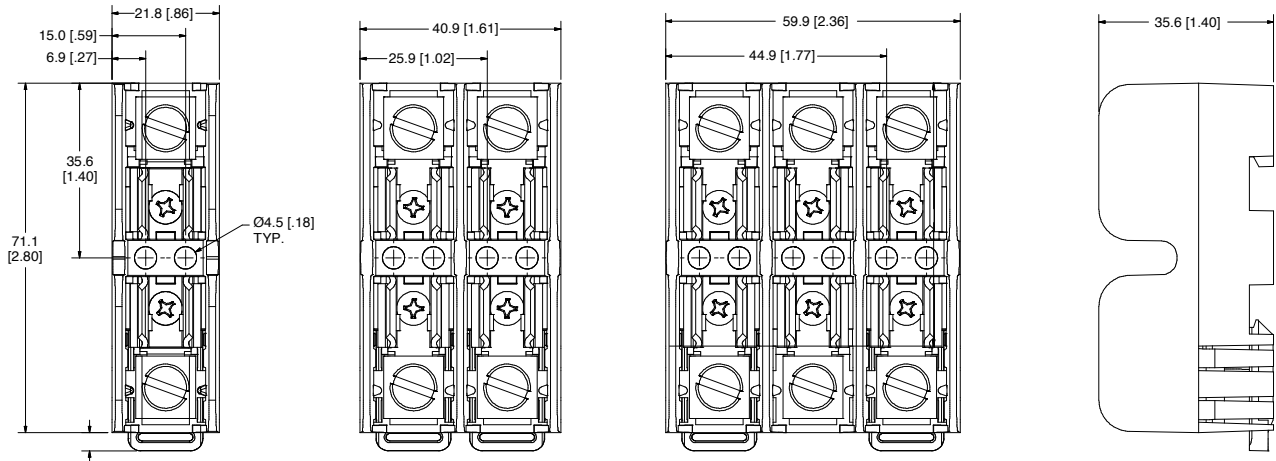
*Covers sold individually. One cover needed for each pole.

**Wire Type for Pressure Plate and Screw Terminal is CU only

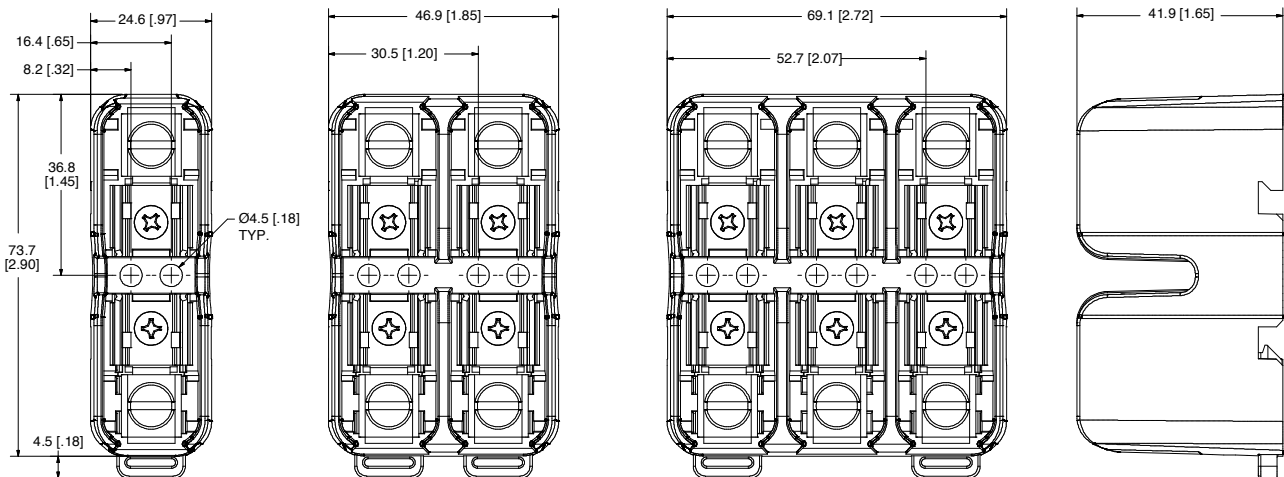
LF SERIES CLASS T FUSEBLOCKS

Dimensions in mm (inches)

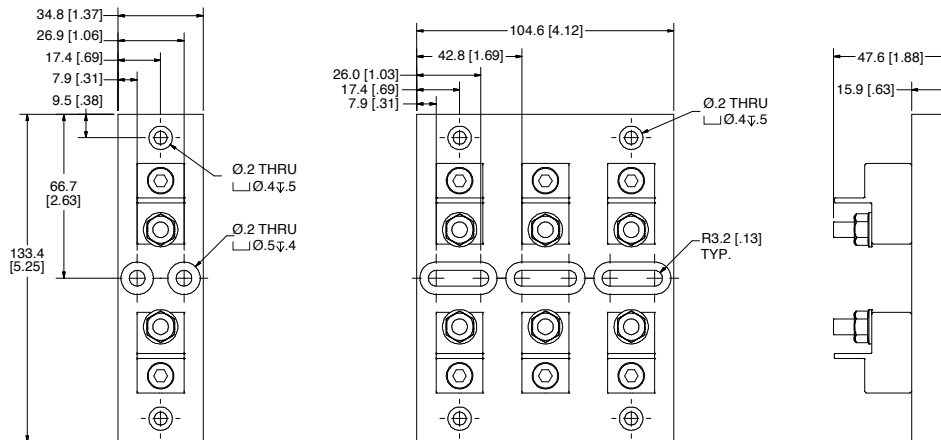
300 V 30 A



300 V 60 A

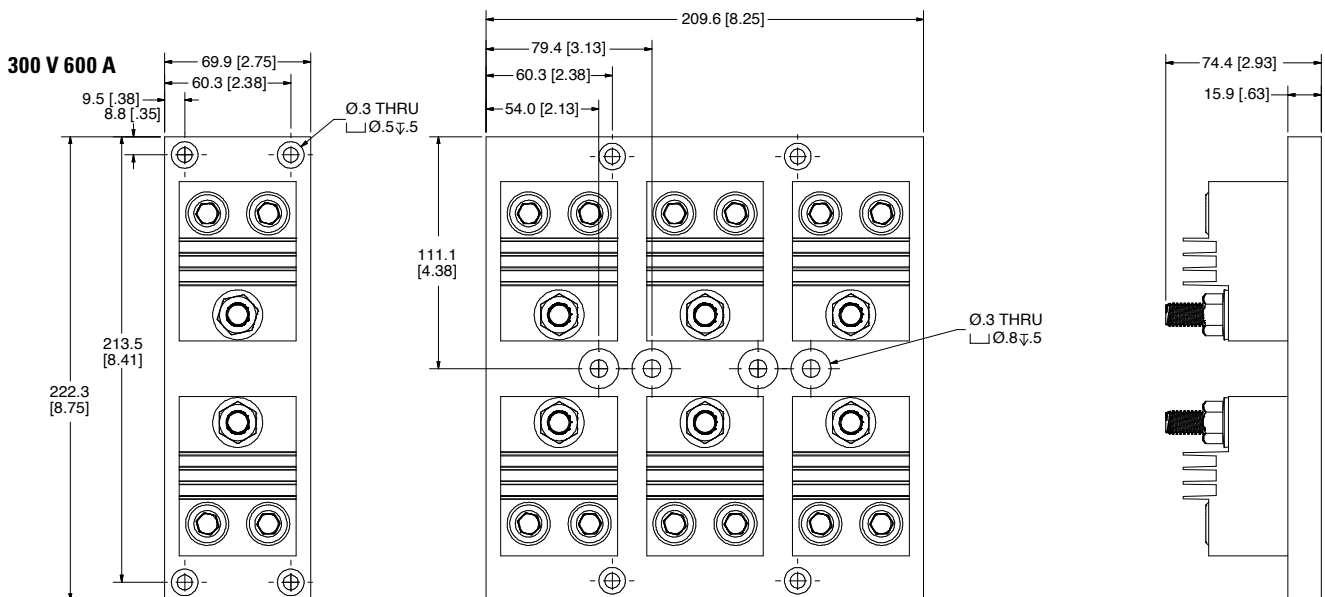
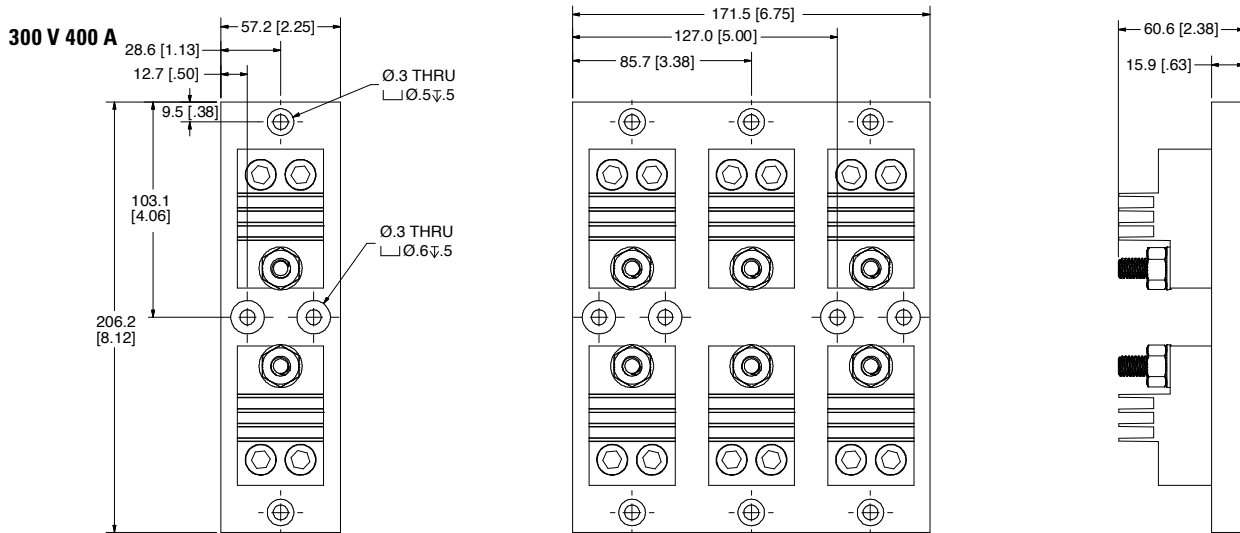
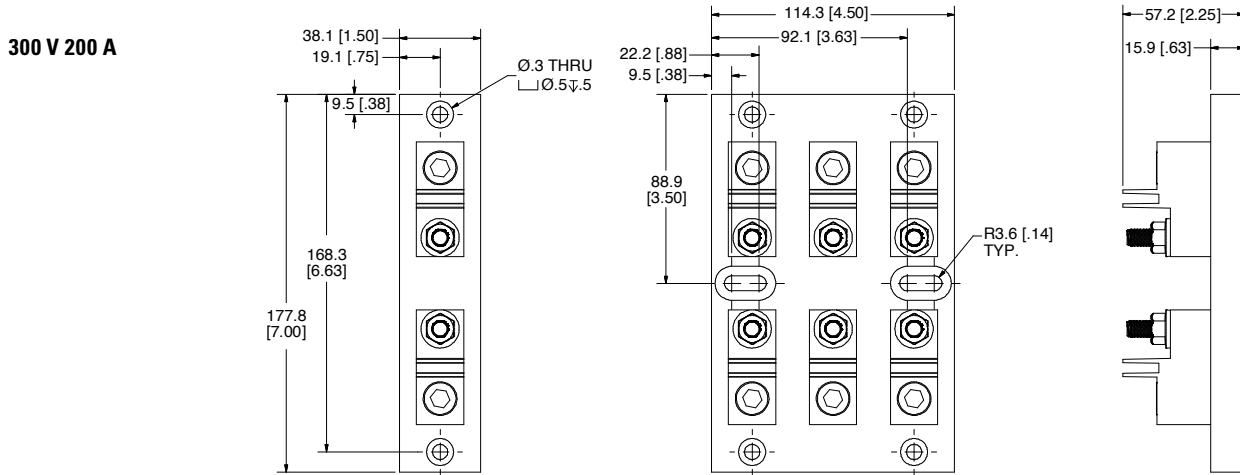


300 V 100 A



LF SERIES CLASS T FUSEBLOCKS

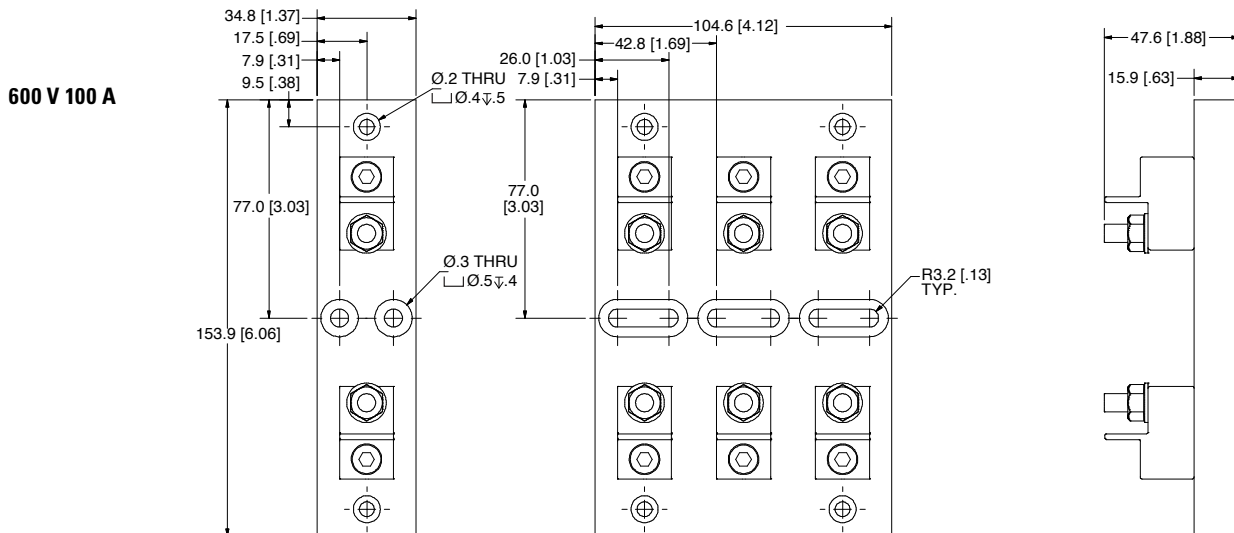
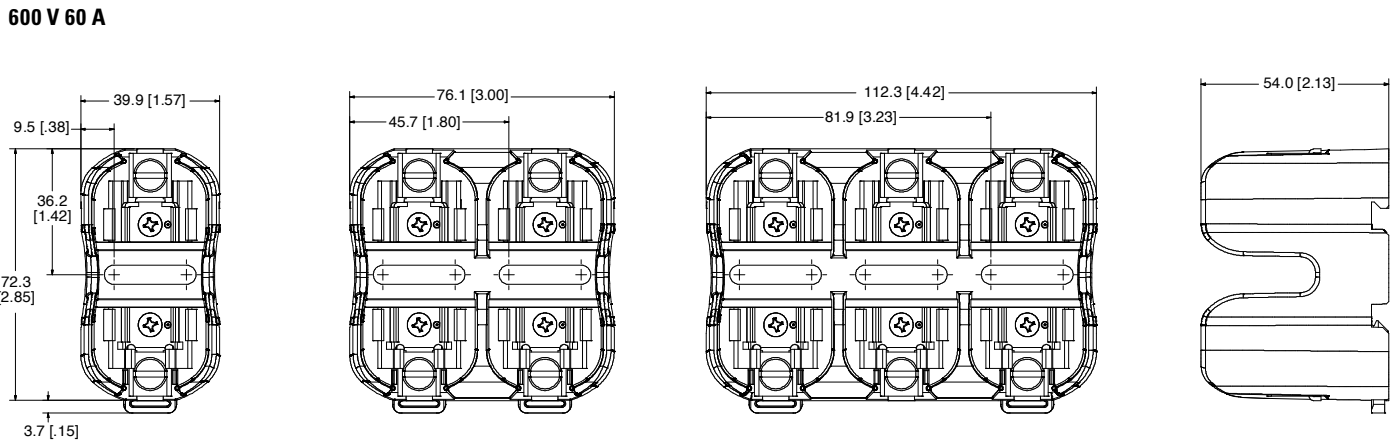
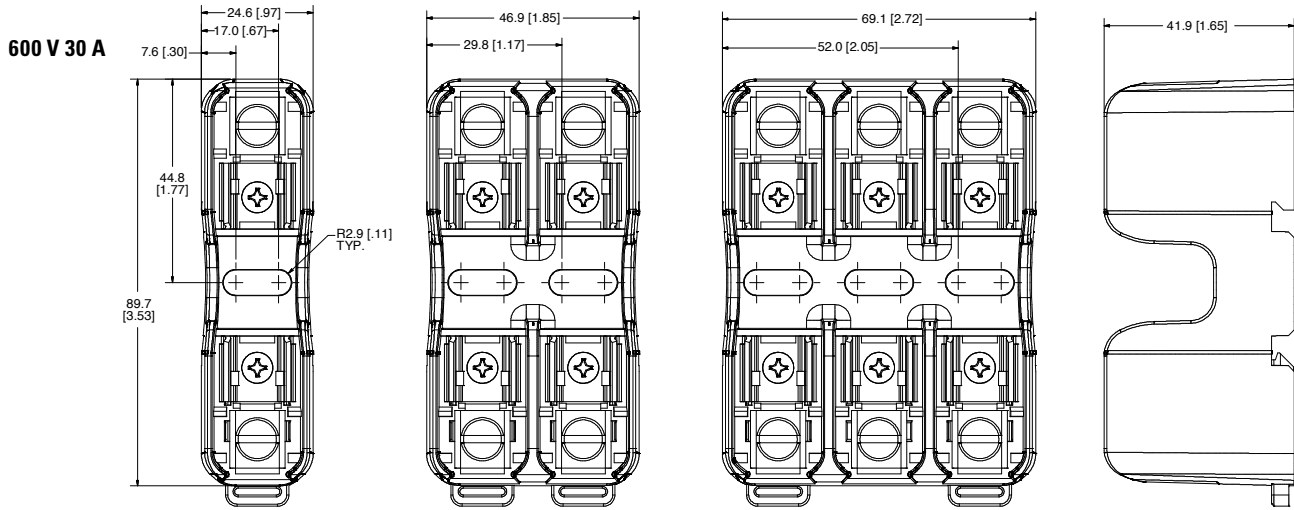
Dimensions in mm (inches)



Also available at www.littelfuse.com/fuseblocks

LF SERIES CLASS T FUSEBLOCKS

Dimensions in mm (inches)

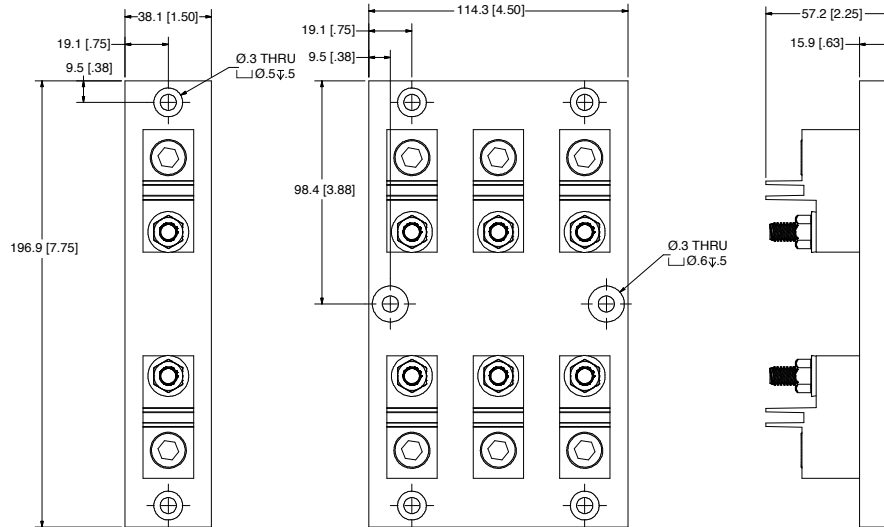


Also available at www.littelfuse.com/fuseblocks

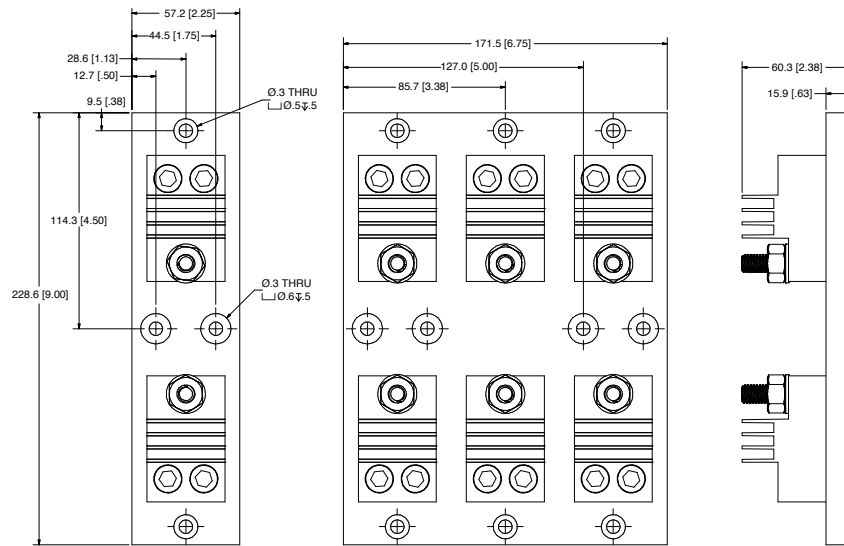
LF SERIES CLASS T FUSEBLOCKS

Dimensions in mm (inches)

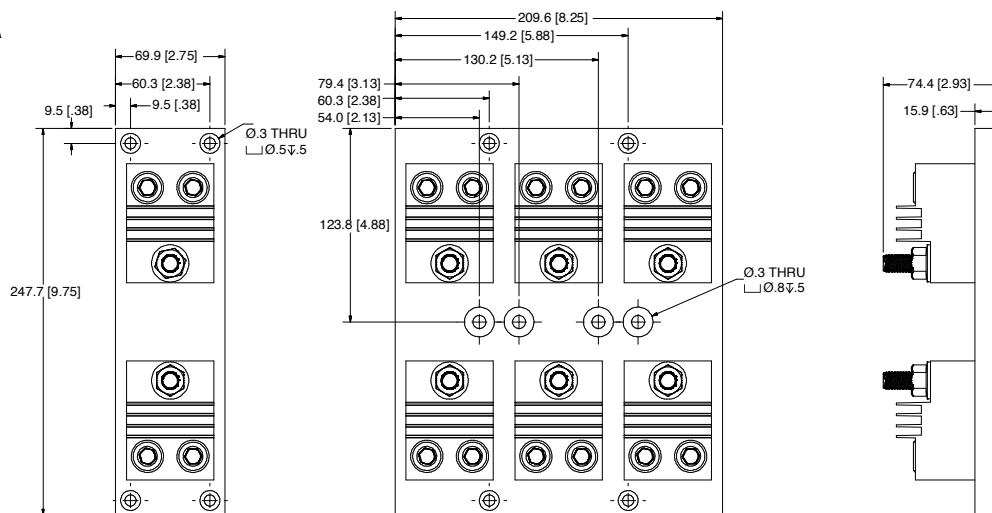
600 V 200 A



600 V 400 A



600 V 600 A



Also available at www.littelfuse.com/fuseblocks