

SEMICONDUCTOR FUSE BLOCKS

1LFS and 1LS Series



Description

Littelfuse modular style semiconductor fuse blocks accommodate a wide range of semiconductor fuses. Blocks are provided in pairs with fuse mounting hardware.

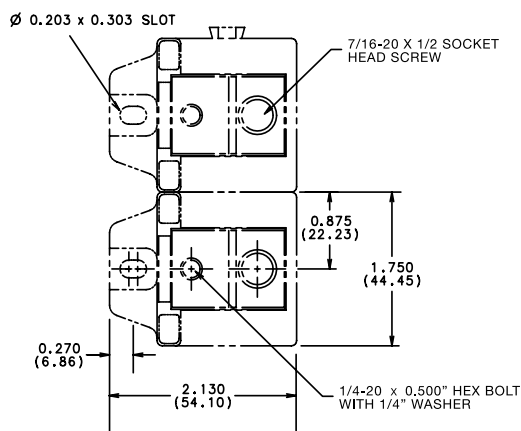
Features/Benefits

- Modular design reduces inventory requirements
- Sold in pairs for convenience
- Constructed of molded phenolic (with plated steel studs)

Dimensions in inches (mm)

Dimensions for reference only.

1LFS101



Specifications

- Voltage Rating:** 600 V
Ampere Range: 1 – 400 A
Approvals: UL Recognized
Insulator Base: 150° C general purpose phenolic
 Box Lug Terminal: Tin plated aluminum

Ordering Information

CATALOG/SYSTEM NUMBER	AMPERE RATING	WIRE RANGE	WIRE RATING	APPROVALS
1LFS101	100 A	#2/0 - 14 CU/AL	120 in-lbs	UL Recognized
1LFS102	400 A	250MCM - #6 CU/AL	275 in-lbs	UL Recognized
1LS110	400 A	250MCM - #6 CU/AL	275 in-lbs	Self-Certified

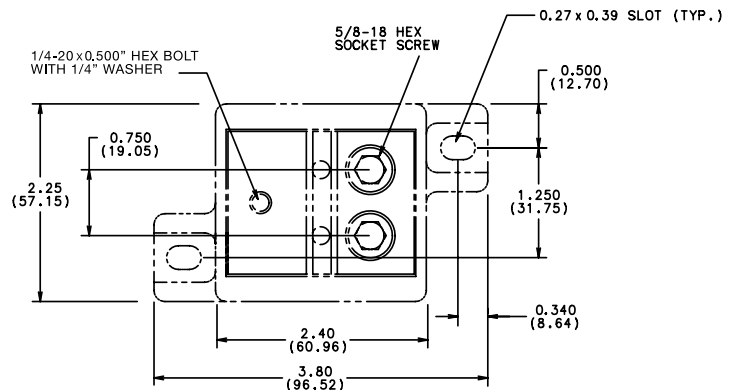
Web Resources

Sample requests, downloadable CAD drawings and other technical information: www.littelfuse.com/1lfs

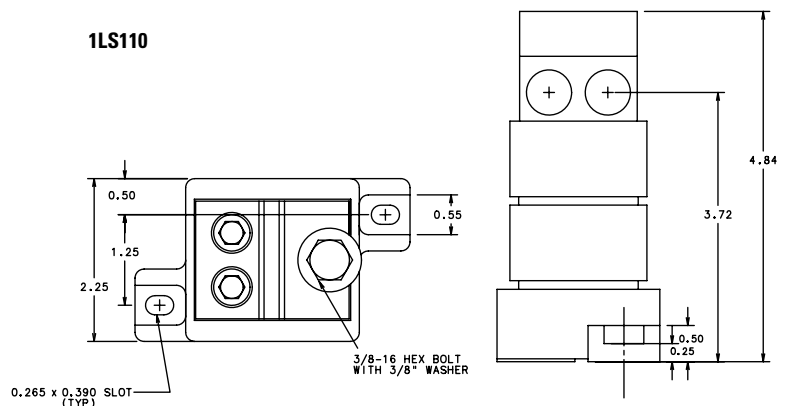
Recommended Fuses

Wide range of semiconductor fuses

1LFS102



1LS110



Dimensions available at www.littelfuse.com/1lfs