

LF SERIES CLASS G FUSEBLOCKS



Description

All Littelfuse Class G fuseblocks offer snap-to-release DIN Rail Mounting feature and universal mounting holes. Class G fuseblocks are designed for use with time-delay current limiting Class G fuses.

Features/Benefits

- Meet requirements for branch circuit protection
- One hand release from DIN Rail (snap-to-release) for several blocks
- Universal mounting holes make for easy replacement
- DIN Rail mountability

Recommended Fuses

SLC series fuses

Specifications

Voltage Ratings:	600 VAC (0–20 A)
	480 VAC (25–60 A)
Ampere Ratings:	0–60 A
Flammability Rating:	UL94 V-0
Approvals:	UL Listed (File No. E14721)
	CSA Certified (File No. LR7091)

Web Resources

For additional technical information visit:
www.littelfuse.com/fuseblocks

Ordering Information (Class G 600 V)

AMP RATING	POLES	CATALOG/SYSTEM NUMBER				WIRE MATERIAL	WIRE TYPE	BASE TEMP RATING	SNAP TO RELEASE
		BASE PART NUMBER	SUFFIX						
			BOX LUG	PRESSURE PLATE	SCREW				
15	1	LFG600151	CDINR	PQDINR	SQDINR	Cu Only	Solid/Stranded	150° C	•
	2	LFG600152	CDINR	PQDINR	SQDINR				•
	3	LFG600153	CDINR	PQDINR	SQDINR				•
20	1	LFG600201	CDINR	PQDINR	SQDINR	Cu Only	Solid/Stranded	150° C	•
	2	LFG600202	CDINR	PQDINR	SQDINR				•
	3	LFG600203	CDINR	PQDINR	SQDINR				•

(600 V)

AMP RATING	TERMINAL INFORMATION		
	TERMINAL	WIRE RANGE	TORQUE
15	Box Lug	6-14 AWG	4.0 N-m (35 in-lbs)
	Pressure Plate	10-14 AWG	2.3 N-m (20 in-lbs)
	Screw	10-14 AWG	2.3 N-m (20 in-lbs)
20	Box Lug	6-14 AWG	4.0 N-m (35 in-lbs)
	Pressure Plate	10-14 AWG	2.3 N-m (20 in-lbs)
	Screw	10-14 AWG	2.3 N-m (20 in-lbs)

Ordering Information (Class G 480 V)

AMP RATING	POLES	CATALOG/SYSTEM NUMBER				WIRE MATERIAL	WIRE TYPE	BASE TEMP RATING	SNAP TO RELEASE
		BASE PART NUMBER	SUFFIX						
			BOX LUG	PRESSURE PLATE	SCREW				
30	1	LFG480301	CDINR	PQDINR	SQDINR	Cu Only	Solid/Stranded	150° C	•
	2	LFG480302	CDINR	PQDINR	SQDINR	Cu Only			•
	3	LFG480303	CDINR	PQDINR	SQDINR	Cu Only			•
60	1	LFG480601	CDINR			Cu/Al	Solid/Stranded	125° C	•
	2	LFG480602	CDINR			Cu/Al			•
	3	LFG480603	CDINR						•

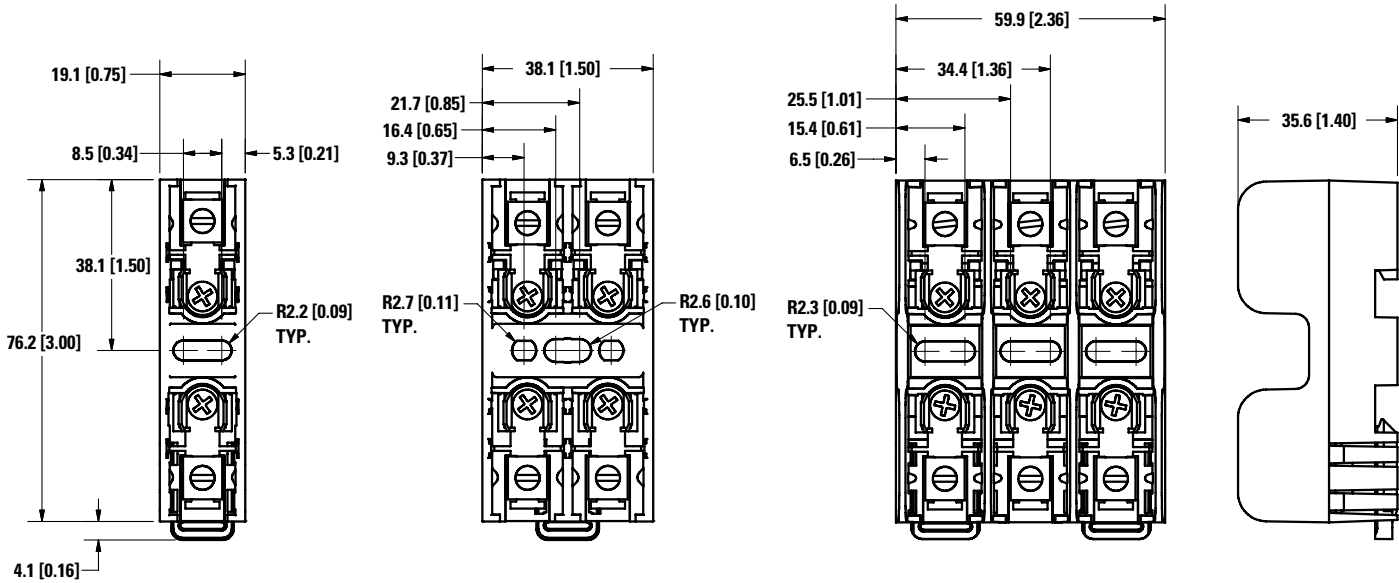
(480 V)

AMP RATING	TERMINAL INFORMATION		
	TERMINAL	WIRE RANGE	TORQUE
30	Box Lug	6-14 AWG	4.0 N-m (35 in-lbs)
	Pressure Plate	10-14 AWG	2.3 N-m (20 in-lbs)
	Screw	10-14 AWG	2.3 N-m (20 in-lbs)
60	Box Lug	2-4 AWG	5.6 N-m (50 in-lbs)
	Box Lug	6-14 AWG	2.8 N-m (25 in-lbs)

LF SERIES CLASS G FUSEBLOCKS

Dimensions in mm (inches)

600 V 15 & 20 A
480 V 30 A



480 V 60 A

