

## CLASS CC/CD FUSEBLOCK



### Description

Space-saving 600 V, 30 A and 60 A molded case fuseblocks with side barriers for isolation. Flexible terminal arrangements — Class CC are available with type C box lug, type SQ screw, or type PQ pressure plate terminals

### Features/Benefits

- DIN Rail (snap-to-release) mountable optional
- Universal mounting holes for easy replacement
- Rejection feature that prevents the insertion of fuses with lower interrupting rating or voltage ratings
- Clip design reduces resistance and heat
- Non DIN Rail fuseblocks have interlocking feature allowing ganging to produce a fuseblock with any number of poles
- Covers available for most amperages

### Ordering Information

#### Class CC 30 A Fuseblocks

AMP RATING	POLES	ORDERING NUMBER		CONNECTOR TYPE	TORQUE	WIRE RANGE	WIRE TYPE	BASE TEMP	COVER ORDERING NUMBER
		NON-DIN*	DINR						
30	1	L60030C1C	L60030C1CDINR	Box Lug	5.6 N-m (50 in-lbs)	2-4 AWG	CU-AL Solid / Stranded	125°C	—
	2	L60030C2C	L60030C2CDINR		2.8 N-m (25 in-lbs)	6-14 AWG			
	3	L60030C3C	L60030C3CDINR						
30	1	L60030C1PQ	L60030C1PQDINR	Pressure Plate w/Q.C. Terminal	5.6 N-m (50 in-lbs)	2-4 AWG	CU-AL Solid / Stranded	125°C	—
	2	L60030C2PQ	L60030C2PQDINR		2.8 N-m (25 in-lbs)	6-14 AWG			
	3	L60030C3PQ	L60030C3PQDINR						
30	1	L60030C1SQ	L60030C1SQDINR	Screw w/Q.C. Terminal	5.6 N-m (50 in-lbs)	2-4 AWG	CU-AL Solid / Stranded	125°C	—
	2	L60030C2SQ	L60030C2SQDINR		2.8 N-m (25 in-lbs)	6-14 AWG			
	3	L60030C3SQ	L60030C3SQDINR						

\* Gangable

Note: Quick Connect Terminals are rated at 20 A

#### Class CD 60 A Fuseblocks

AMP RATING	POLES	ORDERING NUMBER	CONNECTOR TYPE	TORQUE	WIRE RANGE	WIRE TYPE	BASE TEMP RATING	SNAP TO RELEASE	INDICATION	COVER ORDERING NUMBER
60	1	LFC600601CID	Box Lug	5.6 N-m (50 in-lbs)	2-4 AWG	CU-AL Solid / Stranded	125°C	•	•	LFC60060FBC
	2	LFC600602CID		2.8 N-m (25 in-lbs)	6-14 AWG					
	3	LFC600603CID								

### Specifications

<b>Voltage Rating:</b>	600 VAC/600 VDC
<b>Ampere Ratings:</b>	Class CC: 30 A Class CD: 60 A
<b>Dielectric strength:</b>	1200 V minimum
<b>Clip/terminals:</b>	Tin-plated copper alloy
<b>Box lug:</b>	Copper
<b>Screw and captive pressure plate:</b>	Zinc-plated steel
<b>Base:</b>	Thermoplastic UL94 V-0 flammability rating
<b>Approvals:</b>	Class CC/CD: UL Listed (File No. E14721) Class CD: CSA Certified (File No. LR73091) Class CC: CSA Certified (File No. LR7316)
<b>Environmental:</b>	RoHS Compliant Lead (Pb) Free

### Recommended Fuses

#### Class CC Blocks:

CCMR  
KLDL  
KLKR

#### Class CD Blocks:

CCMR

### Web Resources

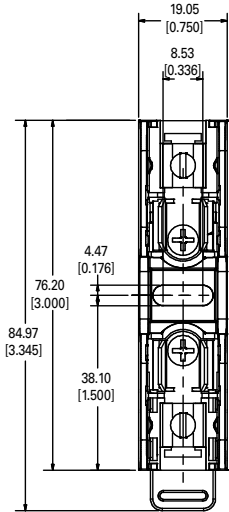
Sample requests, downloadable CAD drawings, fuseblock cover datasheet and other technical information:

<http://www.littelfuse.com/fuseblocks>

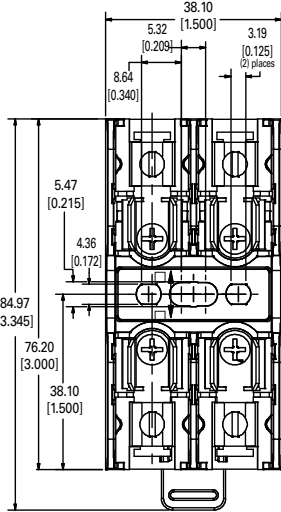
# CLASS CC/CD FUSEBLOCKS

## Class CC Dimensions in mm (inches) DIN Rail Mountable

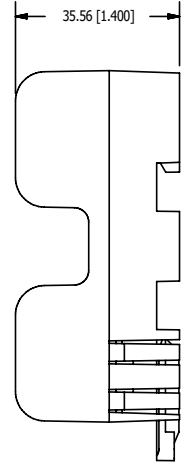
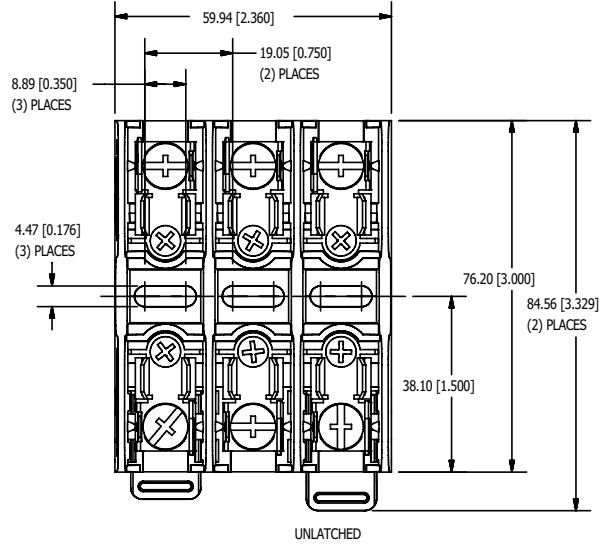
**30 A**  
**1-pole**



**30 A**  
**2-pole**

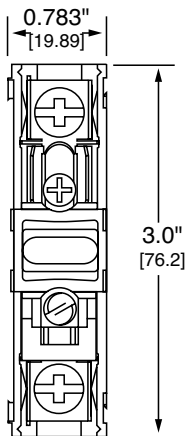


**30 A**  
**3-pole**

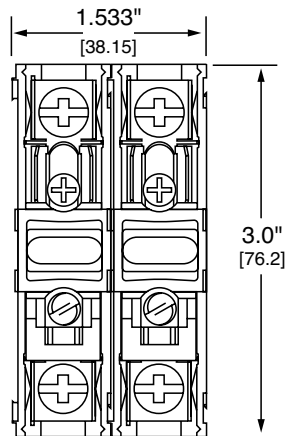


## Class CC Dimensions in inches (mm) Non-DIN Rail Mountable

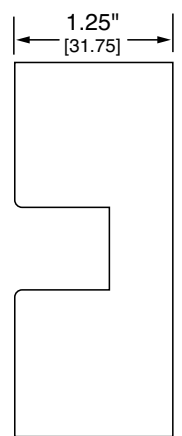
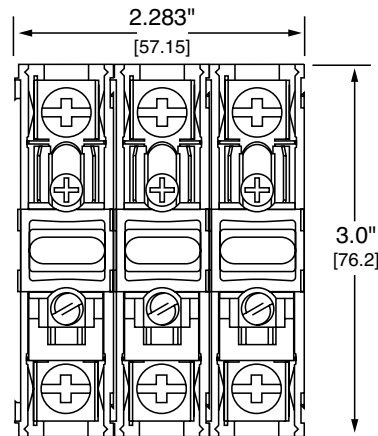
**30 A**  
**1-pole**



**30 A**  
**2-pole**



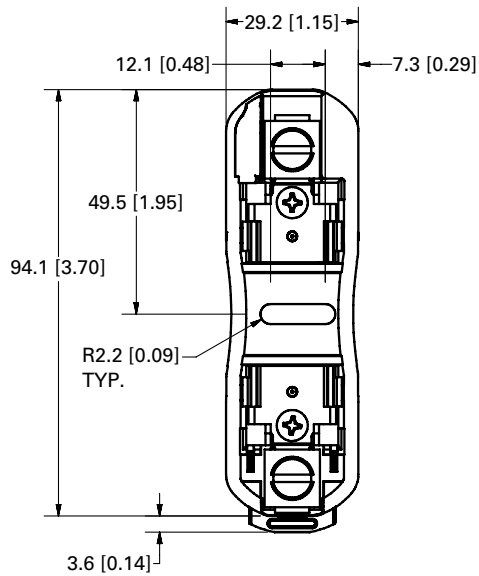
**30 A**  
**3-pole**



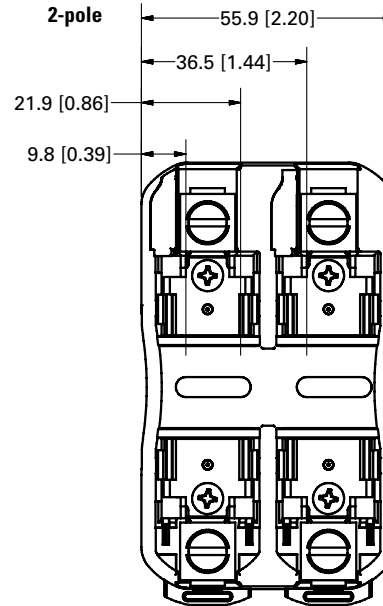
# CLASS CC/CD FUSEBLOCKS

## Class CD Dimensions in mm (inches) DIN Rail Mountable

**60 A**  
**1-pole**



**60 A**  
**2-pole**



**60 A**  
**3-pole**

