

Switch disconnectors

GL series 160A to 315A
Accessories

Add-on blocks



GLX10 10EA



GLX10 01



GLX3 00



GLX3 01



GLX8...



GLX9...



GLX5...

Order code	Characteristics	Qty per pkg	Wt
		n°	[kg]
Auxiliary contacts.			
GLX10 01	1NC with screw terminals	1	0.011
GLX10 10EA	1EB with screw terminals	1	0.011
Neutral terminal.			
GLX3 00	For GL0160...GL0315	1	0.200
Earth/ground terminal.			
GLX3 01	For GL0160...GL0315	1	0.200
One-pole terminal covers.			
GLX8 00	3-piece set, each covers 1 pole	1	0.011
GLX8 01	4-piece set, each covers 1 pole	1	0.011
One-pole phase barrier (needed for voltages > 500V).			
GLX9 00	6-piece set, each covers 1 pole	1	0.011
GLX9 01	8-piece set, each covers 1 pole	1	0.011
Terminal clamp sets for rigid and flexible cables.			
GLX5 00	1-piece set, each covers 1 pole	1	0.011
GLX5 01	3-piece set, each covers 1 pole	1	0.011

Caratteristiche d'impiego dei contatti ausiliari GLX10...

- corrente convenzionale termica in aria libera I_{th}: 10A
- tensione nominale d'isolamento: 690V
- conduttività: 5V, 1mA
- designazione secondo UL/CSA e IEC/EN 60947-5-1: A600 Q600
- coppia di serraggio: 0,8Nm/7,1lb.in
- massimo 8 contatti per interruttori sezionatori GL0160...GL0315.

Caratteristiche d'impiego dei morsetti di neutro e di terra GLX3...

- utilizzabili solo con interruttori sezionatori GL0160...GL0315
- coppia di serraggio: 15...22Nm/132,7...194,7lbin.

Caratteristiche d'impiego dei copri attacchi e dei separatori di fase GLX8..., GLX9...

- fissaggio a scatto.

Caratteristiche d'impiego degli attacchi terminali GLX5...

- sezione massima conduttori: 120mm²/250kcmil
- sezione minima conduttori: 16mm²/6AWG
- coppia di serraggio: 35Nm/309,7lbin.

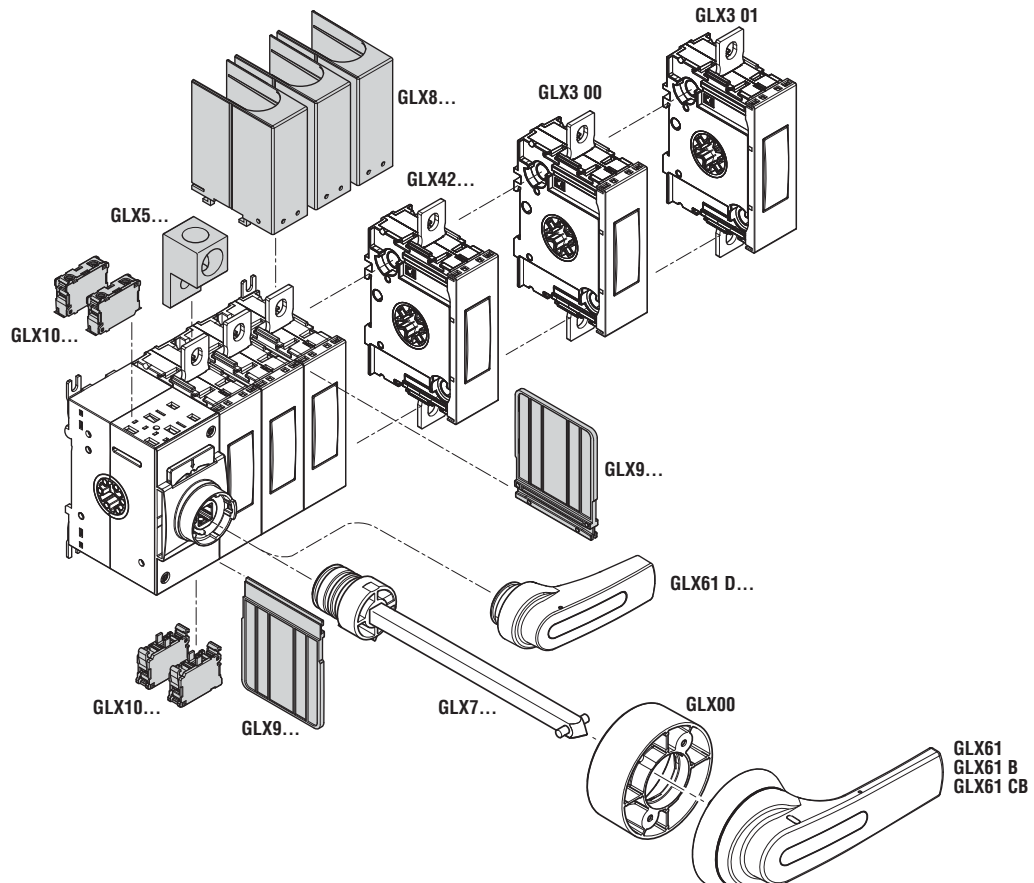
Omologazioni e conformità

Omologazioni ottenute: cULus
Conformi alle norme: IEC/EN 60947-1, IEC/EN 60947-3.

Strokes of GL poles
(main poles with add-on pole)

	0°	30°	60°	90°
GL0160 C1...GL0315 C1, GL0200 C1UL Poli principali				
GLX10 10EA Contatto ausiliario (1NAA - NA con apertura anticipata rispetto ai poli principali)				
GLX10 01 Contatto ausiliario (1NC)				

OFF ← → ON
0 ← → I



Switch disconnectors

GL series 160A to 315A
Accessories

Handles and shafts



GLX61 DB



GLX61 D



GLX61



GLX61 B



GLX61 CB



GLX00



GLX7...

Order code	Characteristics	Qty per pkg	Wt
		n°	[kg]

Direct operating handles.

GLX61 DB	For GL0160...GL0315 and GLC0160...GLC0315. Black	1	0.075
GLX61 D	For GL0160...GL0315. Red/yellow	1	0.075

Door coupling handles.

GLX61	For GL0160...GL0315. Screw fixing. 125mm lever length pistol handle - defeatable (req. UL508A). Red/yellow. □10mm	1	0.200
GLX61 B	For GL0160...GL0315. Screw fixing. 125mm lever length pistol handle - defeatable (req. UL508A). Black. □10mm	1	0.200
GLX61 CB	For GLC0160...GLC0315. Screw fixing. 125mm lever length pistol handle - defeatable (req. UL508A). Black. □10mm	1	0.200

Accessories for door coupling handles.

GLX00	Shaft alignment ring	1	0.040
--------------	----------------------	---	-------

Shaft extensions for door coupling handles GLX61, GLX61 B, GLX61 CB type.

GLX7 150 S10	150mm long. □10mm	1	0.120
GLX7 200 S10	200mm long. □10mm	1	0.155
GLX7 300 S10	300mm long. □10mm	1	0.240
GLX7 400 S10	400mm long. □10mm	1	0.280
GLX7 500 S10	500mm long. □10mm	1	0.310

Operational characteristics for direct operating handles

- Snap on mounting on switch disconnectors and changeover switches
- 1 to 3 padlocks in the Ø4...6mm.

Operational characteristics for door coupling handles

- Fixing handles interaxis: 28x40mm
- 1 to 3 padlocks in the Ø4...8mm
- Tightening torque: 1.5Nm/13.3lbin
- Degree of protection: IP66 and NEMA 4X for UL.

NOTE: Types GLX61, GLX61 B, GLX61 CB are UL/CSA Type 1, 2, 3R, 12, 12K, 4, 4X external use.

Certifications and compliance

Certifications obtained: cULus.

Compliant with standards: IEC/EN 60947-1, IEC/EN 60947-3.