



- 16A to 3150A ratings
- Versions: direct operating handle, door coupling, door mount and in enclosure
- Wide range of accessories
- Versions for photovoltaic applications up to 850A at 1000VDC (DC21B) and up to 315A at 1500VDC (DCPV1)
- Switch disconnectors and manual changeover switches in plastic and metal enclosure.

	<b>SEC. - PAGE</b>
<b>GA series 16A to 160A</b>	
Switch disconnectors .....	14 - 13
Add-on blocks and accessories .....	14 - 15
Assembled manual changeover switches .....	14 - 21
Switch disconnectors complete with shaft extension, door-coupling handle and terminal covers .....	14 - 21
Empty plastic enclosures .....	14 - 22
Switch disconnectors in plastic enclosure .....	14 - 23
Manual changeover switches in plastic enclosure .....	14 - 25
Switch disconnectors in metal enclosure .....	14 - 27
Manual changeover switches in metal enclosure .....	14 - 28
Switch disconnectors in stainless steel AISI 304 enclosure .....	14 - 28
Empty metal enclosure .....	14 - 29
<b>GL series 100A to 1000A</b>	
Switch disconnectors .....	14 - 32
Manual changeover switches .....	14 - 34
Motorised changeover switches .....	14 - 36
Add-on blocks and accessories .....	14 - 38
Switch disconnectors in metal enclosure .....	14 - 42
Manual changeover switches in metal enclosure .....	14 - 43
Empty metal enclosures .....	14 - 43
<b>GE series 50A to 3150A</b>	
Switch disconnectors .....	14 - 44
Switch disconnectors with fuse holder .....	14 - 44
Changeover switches .....	14 - 46
Add-on blocks and accessories .....	14 - 47
<b>GM series 30A to 800A</b>	
Switch disconnectors with fuse holder (UL98).....	14 - 52
Add-on blocks and accessories .....	14 - 53
<b>For photovoltaic applications</b> .....	<b>14 - 54</b>
<b>Dimensions</b> .....	<b>14 - 58</b>
<b>Wiring diagrams</b> .....	<b>14 - 79</b>
<b>Technical characteristics</b> .....	<b>14 - 82</b>



Page 14-13

**GA SERIES**

**16A TO 160A (AC21A)**

- UL60947-4-1 and UL98 certified three-pole switch disconnectors; add-on fourth pole available
- Switch disconnectors with direct operating handle and door coupling version
- Switch disconnectors door mount version
- Switch disconnectors in plastic, metal and AISI 304 stainless-steel enclosure
- Manual changeover switches in plastic and metal enclosure.



Page 14-32

**GL SERIES**

**100A TO 1000A (AC23A)**

- IEC/EN/BS and UL98 certified three-pole switch disconnectors; add-on fourth pole available
- Switch disconnectors with direct operating handle and door coupling version
- IEC/EN/BS and UL1008 certified manual changeover switches
- IEC/EN/BS and UL1008 certified motorised changeover switches
- Switch disconnectors in metal enclosure
- Manual changeover switches in metal enclosure.



Page 14-44

**GE SERIES**

**50A TO 3150A (AC21A)**

- IEC/EN/BS version three and four-pole switch disconnectors
- IEC/EN/BS version three and four-pole switch disconnectors with NFC and NH fuse holders
- Switch disconnectors with direct operating and door coupling version
- Three and four-pole changeover switches; add-on motorised control unit available.



Page 14-52

**GM SERIES**

**30A TO 800A (AC21A)**

- UL98 certified three-pole switch disconnectors with CC, J and L type fuse holders
- Switch disconnectors with fuse holders direct operating handle and door coupling version.



Page 14-54

**FOR PHOTOVOLTAIC APPLICATIONS UP TO 850A AT 1000VDC (DC21B) AND UP TO 315A AT 1500VDC (DCPV1)**

- Switch disconnectors
- Direct operating and door coupling versions
- Switch disconnectors in plastic enclosure.

### GA series 16A to 160A



	DIRECT OPERATING HANDLE AND DOOR COUPLING VERSION											DOOR MOUNT VERSION										
	36mm/1.42" width					70mm/2.75" width						36mm/1.42" width					70mm/2.75" width					
AC21A (IEC/EN/BS)	16A	25A	32A	40A	63A	30A	63A	80A	100A	125A	160A	16A	25A	32A	40A	63A	30A	63A	80A	100A	125A	160A
GENERAL USE 600VAC (UL/CSA)	16A	25A	32A	40A	60A	30A	60A	100A	100A	100A	-	16A	25A	32A	40A	-	30A	60A	100A	100A	100A	-
<b>SWITCH DISCONNECTORS</b>																						
Certifications	UL60947-4-1																					
	UL98																					
Three-pole	●	●	●	●	●	●	●	●	●	●	●	●	●	●	●	●	●	●	●	●	●	●
4th pole - simultaneous closing		●			●	●	●	●	●	●	●		●			●	●	●	●	●	●	●
4th pole - early make		●			●			●					●						●			
Fuse holder 10x38mm	●																					
Fuse holder 10x38mm type CC	●																					
Mechanical 6-8 pole coupling system		●						●														
Mechanical interlock for line switching		●						●														
<b>MANUAL CHANGEOVER SWITCHES</b>																						
Three-pole IEC/EN/BS		●		●	●			●		●	●											
Four-pole IEC/EN/BS		●		●	●			●		●	●											

### GA series 16A to 160A in enclosure



	PLASTIC ENCLOSED VERSION WITH RED/YELLOW OR BLACK HANDLE											METAL ENCLOSED VERSION WITH RED/YELLOW OR BLACK HANDLE										
	16A	25A	32A	40A	63A	63A	80A	100A	125A	160A	16A	25A	32A	40A	63A	63A	80A	100A	125A	160A		
AC21A (IEC/EN/BS)	16A	25A	32A	40A	63A	63A	80A	100A	125A	160A	16A	25A	32A	40A	63A	63A	80A	100A	125A	160A		
GENERAL USE 600VAC (UL/CSA)	16A	25A	32A	40A	60A	60A	100A	100A	100A	-	-	-	-	-	-	-	-	-	-	-		
<b>SWITCH DISCONNECTORS</b>																						
Three-pole IEC/EN/BS	●	●	●	●	●	●	●	●	●	●	●	●	●	●	●	●	●	●	●	●	●	
Four-pole IEC/EN/BS	●		●	●	●	●		●	●	●	●		●	●	●	●		●	●	●	●	
Three-pole UL 60947-4-1	●	●	●	●	●																	
Three-pole UL98						●	●	●	●													
Four-pole UL 60947-4-1																						
Four-pole UL98						●		●	●													
<b>MANUAL CHANGEOVER SWITCHES</b>																						
Three-pole IEC/EN/BS											●		●	●		●		●	●		●	
Four-pole IEC/EN/BS											●		●	●		●		●	●		●	
Three-pole UL 60947-4-1		●		●	●																	
Three-pole UL98						●		●	●													
Four-pole UL 60947-4-1		●		●	●																	
Four-pole UL98						●		●	●													



	STAINLESS STEEL AISI 304 ENCLOSED VERSION WITH RED/YELLOW OR BLACK HANDLE						
AC21A (IEC/EN/BS)	16A	25A	32A	40A	63A	63A	100A
<b>SWITCH DISCONNECTORS</b>							
Three-pole IEC/EN/BS	●	●	●	●	●	●	●

# 14 Switch disconnectors

## Overview

### GL series 100A to 1000A



	DIRECT OPERATING HANDLE AND DOOR COUPLING VERSION												METAL ENCLOSED VERSION			
AC21A (IEC/EN/BS)	-	125A	160A	200A	250A	315A	320A	400A	500A	630A	800A	1000A	160A	200A	250A	315A
GENERAL USE 600VAC (UL/CSA)	100A	-	-	200A	-	-	-	400A	-	600A	800A	-	-	-	-	-
SWITCH DISCONNECTORS																
Three-pole IEC/EN/BS			●	●	●	●	●	●	●	●	●	●	●	●	●	●
Three-pole UL98	●			●				●		●	●					
4th pole - simultaneous closing	●						●						●	●	●	●
MANUAL CHANGEOVER SWITCHES																
Three and four-pole IEC/EN/BS			●	●	●	●	●	●	●	●	●	●	●	●	●	●
Three and four-pole UL1008	●			●				●								
MOTORISED CHANGEOVER SWITCHES																
Three and four-pole IEC/EN/BS		●	●	●	●	●										
Three and four-pole UL1008	●			●												

### GE series 50A to 3150A



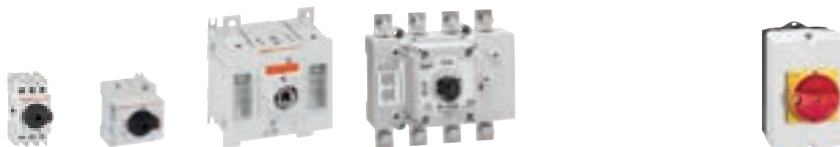
	DIRECT OPERATING AND DOOR COUPLING VERSION																	
AC21A (IEC/EN/BS)	50A	63A	100A	125A	160A	200A	250A	315A	400A	500A	630A	800A	1000A	1250A	1600A	2000A	2500A	3150A
SWITCH DISCONNECTORS																		
Three and four-pole					●	●	●	●	●	●	●	●	●	●	●			
Three and four-pole with NFC fuse holder	●		●	●														
Three and four-pole with NH fuse holder		●	●	●	●		●		●		●	●						
CHANGEOVER SWITCHES																		
Three and four-pole					●	●	●	●	●	●	●	●	●	●	●	●	●	●
Motorised control unit						●		●			●		●	●	●	●	●	●

### GM series 30A to 800A



	DIRECT OPERATING AND DOOR COUPLING VERSION						
GENERAL USE 600VAC (UL/CSA)	30A	60A	100A	200A	400A	600A	800A
DISCONNECT SWITCHES WITH FUSE HOLDERS							
UL98 three-pole with CC type fuse holders	●						
UL98 three-pole with J type fuse holders			●	●	●	●	
UL98 three-pole with L type fuse holders							●

### For photovoltaic applications



	DIRECT OPERATING AND DOOR COUPLING VERSION													PLASTIC ENCLOSED VERSION			
CONVENTIONAL THERMAL CURRENT I <sub>th</sub> DC21B (800V)	15A	25A	32A	40A	100A	125A	160A	200A	250A	280A	315A	600A	630A	1000A	25A	32A	40A
Switch disconnectors GA series	●																
Switch disconnectors GD series		● <sup>②</sup>	● <sup>②</sup>	● <sup>②</sup>											● <sup>②</sup>	● <sup>②</sup>	● <sup>②</sup>
Switch disconnectors GLD series					● <sup>①</sup>		● <sup>①</sup>	● <sup>①</sup>	● <sup>①</sup>		● <sup>②</sup>						
Switch disconnectors GE series						●			●	●		●	●	●			

① Up to 1500V (DCPV1). ② Up to 1000V (DCPV1).

# 14 Switch disconnectors

## Summary table of combinations

### Switch disconnectors and manual changeover switches GA series



Type		IEC conventional free air thermal current Ith AC21A (≤690V)	IEC rated operational current Ie			General purpose current (UL)	Max 3-phase horse-power rating (UL)	IEC reactive power for control of capacitors 400V	Fourth pole	
Direct operating or door coupling	Door mounting		AC23A (400V)	AC23A (500V)	AC23A (690V)				Direct operating or door coupling	Door mounting
Order code	Order code	[A]	[A]	[A]	[A]	[A]	[HP/V]	[kvar]	Order code	Order code

IEC/EN/BS and UL60947-4-1 three-pole switch disconnectors GA series.

<b>GA016A</b>	<b>GA016C</b>	16	16	16	16	16	5/240 10/480 10/600	7.5	<b>GAX42040A</b> <b>GAX41040A</b>	<b>GAX42040C</b> <b>GAX41040C</b>
<b>GA025A</b>	<b>GA025C</b>	25	25	25	25	25	7.5/240 15/480 20/600	10		
<b>GA032A</b>	<b>GA032C</b>	32	32	25	25	32	10/240 20/480 20/600	12.5		
<b>GA040A</b>	<b>GA040C</b>	40	40	25	25	40	15/240 20/480 25/600	15		
<b>GA063SA</b>	<b>GA063SC</b>	63	45	25	25	60	15/240 30/480 32/600	15	<b>GAX42063SA</b>	<b>GAX42063SC</b>

IEC/EN/BS and UL98 three-pole switch disconnectors GA series.

<b>GA030A</b>	<b>GA030C</b>	30	30	30	30	30	10/240 20/480 30/600	12.5	<b>GAX42063A</b> <b>GAX41125A</b>	<b>GAX42063C</b> <b>GAX41125C</b>
<b>GA063A</b>	<b>GA063C</b>	63	63	63	47	60	20/240 40/480 40/600	25		
<b>GA080A</b>	<b>GA080C</b>	80	80	63	47	100	25/240 40/480 40/600	30	<b>GAX42080A</b> <b>GAX41125A</b>	<b>GAX42080C</b> <b>GAX41125C</b>
<b>GA100A</b>	<b>GA100C</b>	100	100	80	47	100	30/240 50/480 50/600	40	<b>GAX42100A</b> <b>GAX41125A</b>	<b>GAX42100C</b> <b>GAX41125C</b>
<b>GA125A</b>	<b>GA125C</b>	125	125	100	47	100	30/240 60/480 60/600	50	<b>GAX42125A</b> <b>GAX41125A</b>	<b>GAX42125C</b> <b>GAX41125C</b>

IEC/EN/BS three-pole switch disconnectors GA series.

<b>GA160A</b>	<b>GA160C</b>	160	125	100	47	–	–	50	<b>GAX42160A</b>	<b>GAX42160C</b>
---------------	---------------	-----	-----	-----	----	---	---	----	------------------	------------------

IEC/EN/BS three-pole manual changeover switches GA series.

<b>GA025ET6</b>	–	25	25	25	25	–	–	–	<b>GAX42040A</b> <b>GAX41040A</b>	–
<b>GA040ET6</b>		40	40	25	25					
<b>GA063SAET6</b>		63	45	25	25					
<b>GA080ET6</b>		80	80	63	47					
<b>GA125ET6</b>		125	125	100	47					
<b>GA160ET6</b>		160	125	100	47					

IEC/EN/BS four-pole manual changeover switches GA series.

<b>GA025ET8</b>	–	25	25	25	25	–	–	–	<b>Integrated fourth pole GAX42...</b>	–
<b>GA040ET8</b>		40	40	25	25					
<b>GA063SAET8</b>		63	45	25	25					
<b>GA080ET8</b>		80	80	63	47					
<b>GA125ET8</b>		125	125	100	47					
<b>GA160ET8</b>		160	125	100	57					

① Only for GA...A..., GA016C...GA040C, GA063SC.

② Only for GA...A...

③ Only for GA030A..., GA063A...GA160A...

④ Only for GA016A...GA040A..., GA063SA..., GA016C...GA040C, GA063SC.

# 14 Switch disconnectors

## Summary table of combinations



Neutral terminal		Earth/ground terminal		Direct operating handle (only for GA...C)		Door coupling handle (only for GA...A)		Shaft extensions for door coupling handles	Auxiliary contacts	Terminal covers
Direct operating or door coupling	Door mounting	Direct operating or door coupling	Door mounting	Black	Red/yellow	Black	Red/yellow			
Order code	Order code	Order code	Order code	Order code	Order code	Order code	Order code	Order code	Order code	Order code

GAX31A	GAX31C	GAX33A	GAX33C	GAX61B GAX62B GAX63B GAX63KB GAX631B GAX632B GAX64B GAX68B	GAX61 GAX62 GAX63 GAX63K GAX632 GAX64 GAX68	GAX61B GAX62B GAX63B GAX63KB GAX631B GAX632B GAX64B GAX68B	GAX61 GAX62 GAX63 GAX63K GAX632 GAX64 GAX68	GAX7055 GAX7070 GAX7090 GAX7150 GAX7200 GAX7300 GAX7400 GAX7500	GAX1011A GAX1020A GAX1110EA	GAX83 GAX81
--------	--------	--------	--------	---	---	---	---	--	-----------------------------------	----------------

GAX32A	GAX32C	GAX34A	GAX34C	GAX61B GAX62B GAX63BⓈ GAX63KBⓈ GAX631BⓈ GAX632BⓈ GAX64BⓈ GAX66NBⓈ GAX68BⓈ	GAX61 GAX62 GAX63Ⓢ GAX63KⓈ GAX632Ⓢ GAX64Ⓢ GAX66NⓈ GAX68Ⓢ	GAX61B GAX62B GAX63BⓈ GAX63KBⓈ GAX631BⓈ GAX632BⓈ GAX64BⓈ GAX66NBⓈ GAX68BⓈ	GAX61 GAX62 GAX63Ⓢ GAX63KⓈ GAX632Ⓢ GAX64Ⓢ GAX66NⓈ GAX68Ⓢ	GAX7055 GAX7070 GAX7090 GAX7150 GAX7200 GAX7300 GAX7400 GAX7500 GAX7150AN GAX7200AN GAX7300AN GAX7400AN GAX7500AN	GAX1011A GAX1020A GAX1210EA	GAX84 GAX82
--------	--------	--------	--------	---	---	---	---	---	-----------------------------------	----------------

GAX32A	GAX32C	GAX34A	GAX34C	GAX61B GAX62B GAX63B GAX63KB GAX631B GAX632B GAX64B GAX66NB GAX68B	GAX61 GAX62 GAX63 GAX63K GAX632 GAX64 GAX66N GAX68	GAX61B GAX62B GAX63B GAX63KB GAX631B GAX632B GAX64B GAX66NB GAX68B	GAX61 GAX62 GAX63 GAX63K GAX632 GAX64 GAX66N GAX68	GAX7055 GAX7070 GAX7090 GAX7150... GAX7200... GAX7300... GAX7400... GAX7500...	GAX1011A GAX1020A GAX1210EA	GAX84 GAX82
--------	--------	--------	--------	--	---	--	---	---	-----------------------------------	----------------

GAX31A	-	GAX33A	-	Built-in with mechanical interlock	-	GAX67B	-	GAX7055 GAX7070 GAX7090 GAX7150 GAX7200 GAX7300 GAX7400 GAX7500	GAX1011A GAX1020A GAX1110EA	GAX83 GAX81
GAX32A	-	GAX34A	-						GAX1011A GAX1020A GAX1110EA	GAX84 GAX82

GAX31A	-	GAX33A	-	Built-in with mechanical interlock	-	GAX67B	-	GAX7055 GAX7070 GAX7090 GAX7150 GAX7200 GAX7300 GAX7400 GAX7500	GAX1011A GAX1020A GAX1110EA	GAX83 GAX81
GAX32A	-	GAX34A	-						GAX1011A GAX1020A GAX1110EA	GAX84 GAX82

## Switch disconnectors and manual changeover switches IEC/EN/BS GL series



### IEC/EN/BS

Type	IEC conventional free air thermal current I <sub>th</sub>		IEC rated operational current I <sub>e</sub>		IEC reactive power for control of capacitors 400V	Fourth pole	Neutral terminal	Earth/ground terminal	Direct operating handle	
	AC21A (≤690V)	AC23A (≤400V)	AC23A (≤500V)	Black					Red/Yellow	
Order code	[A]	[A]	[A]	[kvar]	Order code	Order code	Order code	Order code	Order code	

IEC/EN/BS three-pole switch disconnectors.

<b>GL0160C1</b>	160	160	160	80	<b>GLX420315</b>	<b>GLX300</b>	<b>GLX301</b>	<b>GLX61DB</b>	<b>GLX61D</b>
<b>GL0200C1</b>	200	200	200	100					
<b>GL0250C1</b>	250	250	250	115					
<b>GL0315C1</b>	315	315	250	145					
<b>GL0320C1</b>	320	320	320	145	<b>GLX420320</b>	<b>GLX302</b>	<b>GLX303</b>	<b>GLX62DB</b>	<b>GLX62D</b>
<b>GL0400C1</b>	400	400	400	180					
<b>GL0500C1</b>	500	500	500	200	<b>GLX420500</b>	<b>GLX304</b>	<b>GLX305</b>	<b>GLX63DB</b>	<b>GLX63D</b>
<b>GL0630C1</b>	630	630	500	250					
<b>GL0631C1</b>	630	630	630	250	<b>GLX420631</b>	<b>GLX304</b>	<b>GLX305</b>	<b>GLX63DB</b>	<b>GLX63D</b>
<b>GL0800C1</b>	800	800	800	310					
<b>GL1000C1</b>	1000	1000	800	460	<b>GLX421000</b>	<b>GLX306</b>	<b>GLX307</b>		



new

IEC/EN/BS three-pole manual changeover switches.

<b>GLC0160C1</b>	160	160	160	–	–	–	–	<b>GLX61DB</b>	–
<b>GLC0200C1</b>	200	200	200	–	–	–	–	<b>GLX62DB</b>	–
<b>GLC0250C1</b>	250	250	250	–	–	–	–		–
<b>GLC0315C1</b>	315	315	250	–	–	–	–	<b>GLX63DB</b>	–
<b>GLC0320C1</b>	320	320	320	–	–	–	–		–
<b>GLC0400C1</b>	400	400	400	–	–	–	–	<b>GLX63DB</b>	–
<b>GLC0500C1</b>	500	500	500	–	–	–	–		–
<b>GLC0630C1</b>	630	630	500	–	–	–	–	–	
<b>GLC0631C1</b>	630	630	630	–	–	–	–	–	
<b>GLC0800C1</b>	800	800	800	–	–	–	–	–	
<b>GLC1000C1</b>	1000	1000	800	–	–	–	–	–	



new

IEC/EN/BS four-pole manual changeover switches.

<b>GLC0160T4C1</b>	160	160	160	–	–	–	–	<b>GLX61DB</b>	–
<b>GLC0200T4C1</b>	200	200	200	–	–	–	–	<b>GLX62DB</b>	–
<b>GLC0250T4C1</b>	250	250	250	–	–	–	–		–
<b>GLC0315T4C1</b>	315	315	250	–	–	–	–	<b>GLX63DB</b>	–
<b>GLC0320T4C1</b>	320	320	320	–	–	–	–		–
<b>GLC0400T4C1</b>	400	400	400	–	–	–	–	<b>GLX63DB</b>	–
<b>GLC0500T4C1</b>	500	500	500	–	–	–	–		–
<b>GLC0630T4C1</b>	630	630	500	–	–	–	–	–	
<b>GLC0631T4C1</b>	630	630	630	–	–	–	–	–	
<b>GLC0800T4C1</b>	800	800	800	–	–	–	–	–	
<b>GLC1000T4C1</b>	1000	1000	800	–	–	–	–	–	



new

- ❶ 1-piece set. 1 terminal connection for single cable:
  - Maximum conductor cross section: 120mm<sup>2</sup>/250kcmil;
  - Minimum conductor cross section: 16mm<sup>2</sup>/6AWG.
- ❷ 3-piece set. 3 terminals connection for single cable:
  - Maximum conductor cross section: 304mm<sup>2</sup>/600kcmil;
  - Minimum conductor cross section: 33.6mm<sup>2</sup>/2AWG.
- ❸ 1-piece set. 1 terminal connection for double cables:
  - Maximum conductor cross section: 4x304mm<sup>2</sup>/4x600kcmil;
  - Minimum conductor cross section: 4x33.6mm<sup>2</sup>/4x2AWG.
- ❹ 3-piece set. 3 terminals connection for double cables:
  - Maximum conductor cross section: 2x152mm<sup>2</sup>/2x300kcmil;
  - Minimum conductor cross section: 2x21.2mm<sup>2</sup>/2x4AWG.
- ❺ 1-piece set. 1 terminal connection for single cable:
  - Maximum conductor cross section: 304mm<sup>2</sup>/600kcmil;
  - Minimum conductor cross section: 33.6mm<sup>2</sup>/2AWG.
- ❻ 3-piece set. 3 terminals connection for single cable:
  - Maximum conductor cross section: 304mm<sup>2</sup>/600kcmil;
  - Minimum conductor cross section: 33.6mm<sup>2</sup>/2AWG.
- ❼ 1-piece set. 1 terminal connection for double cables:
  - Maximum conductor cross section: 2x152mm<sup>2</sup>/2x300kcmil;
  - Minimum conductor cross section: 2x21.2mm<sup>2</sup>/2x4AWG.
- ❽ 3-piece set. 3 terminals connection for double cables:
  - Maximum conductor cross section: 4x304mm<sup>2</sup>/4x600kcmil;
  - Minimum conductor cross section: 4x33.6mm<sup>2</sup>/4x2AWG.

# 14 Switch disconnectors

## Summary table of combinations



Door coupling handle		Shaft extensions for door coupling handles			Shaft alignment ring	Auxiliary contacts	Terminal covers	Phase barriers	Terminal clamps	Bridging bars	Captive nuts	
Black	Red/yellow	Panel depth		Shaft section	Order code	Order code	Order code	Order code	Order code	Order code	Order code	
Order code	Order code	Order code	min [mm/in]	min [mm/in]								□ [mm/in]
<b>GLX61B</b>	<b>GLX61</b>	<b>GLX7150S10</b> <b>GLX7200S10</b> <b>GLX7300S10</b> <b>GLX7400S10</b> <b>GLX7500S10</b>	124/ 4.88"	194/7.64" 244/9.61" 344/13.54" 444/17.48" 544/21.42"	10/0.4"	<b>GLX00</b>	<b>GLX1001</b> (1NC) <b>GLX1010EA</b> (1EB)	<b>GLX800</b> (3 pcs) <b>GLX801</b> (4 pcs)	<b>GLX900</b> (6 pcs) <b>GLX901</b> (8 pcs)	<b>GLX500</b> <b>GLX501</b>	-	<b>GLX550</b> (8 pcs)
<b>GLX62B</b>	<b>GLX62</b>	<b>GLX7150S10</b> <b>GLX7200S10</b> <b>GLX7300S10</b> <b>GLX7400S10</b> <b>GLX7500S10</b>	157/ 6.18"	227/8.94" 277/10.90" 377/14.84" 477/18.78" 577/22.72"				<b>GLX802</b> (3 pcs) <b>GLX803</b> (4 pcs)	<b>GLX902</b> (6 pcs) <b>GLX903</b> (8 pcs) Built-in	<b>GLX502</b> <b>GLX503</b> <b>GLX 504</b> <b>GLX505</b>		<b>GLX551</b> (8 pcs)
<b>GLX63B</b>	<b>GLX63</b>	<b>GLX7150S12</b> <b>GLX7200S12</b> <b>GLX7300S12</b> <b>GLX7400S12</b> <b>GLX7500S12</b>	212/ 8.34"	232/9.13" 282/11.10" 382/15.03" 482/18.97" 582/22.91"	12/0.47"			<b>GLX804</b> (3 pcs) <b>GLX805</b> (4 pcs)	<b>GLX904</b> (6 pcs) <b>GLX905</b> (8 pcs) Built-in	<b>GLX506</b> <b>GLX507</b>	-	<b>GLX552</b> (8 pcs)  <b>GLX553</b> (8 pcs)
<b>GLX61CB</b>	-	<b>GLX7150S10</b> <b>GLX7200S10</b> <b>GLX7300S10</b> <b>GLX7400S10</b> <b>GLX7500S10</b>	220/ 8.66"	290/11.42" 340/13.38" 440/17.32" 540/21.26" 640/25.20"	10/0.4"	<b>GLX00</b>	<b>GLX1001</b> (1NC) <b>GLX1010EA</b> (1EB)	<b>GLX800</b> (3 pcs) <b>GLX801</b> (4 pcs)	<b>GLX900</b> (6 pcs) <b>GLX901</b> (8 pcs)	<b>GLX500</b> <b>GLX501</b>	<b>GLX201</b> (3 pcs) <b>GLX202</b> (4 pcs)	<b>GLX550</b> (8 pcs)
<b>GLX62CB</b>		<b>GLX7150S10</b> <b>GLX7200S10</b> <b>GLX7300S10</b> <b>GLX7400S10</b> <b>GLX7500S10</b>	267/ 10.51"	337/13.27" 387/15.24" 487/19.17" 587/23.11" 687/27.05"				<b>GLX802</b> (3 pcs) <b>GLX803</b> (4 pcs)	<b>GLX902</b> (6 pcs) <b>GLX903</b> (8 pcs) Built-in	<b>GLX502</b> <b>GLX503</b> <b>GLX504</b> <b>GLX505</b>	<b>GLX206</b> (3 pcs) <b>GLX207</b> (4 pcs)	<b>GLX551</b> (8 pcs)
<b>GLX63CB</b>	-	<b>GLX7150S12</b> <b>GLX7200S12</b> <b>GLX7300S12</b> <b>GLX7400S12</b> <b>GLX7500S12</b>	308/ 12.12"	378/14.88" 428/16.85" 528/20.78" 628/24.72" 728/28.66"	12/0.47"			<b>GLX804</b> (3 pcs) <b>GLX805</b> (4 pcs)	<b>GLX904</b> (6 pcs) <b>GLX905</b> (8 pcs) Built-in	<b>GLX506</b> <b>GLX507</b>	<b>GLX208</b> (3 pcs) <b>GLX209</b> (4 pcs)	<b>GLX552</b> (8 pcs)  <b>GLX553</b> (8 pcs)
<b>GLX61CB</b>	-	<b>GLX7150S10</b> <b>GLX7200S10</b> <b>GLX7300S10</b> <b>GLX7400S10</b> <b>GLX7500S10</b>	220/ 8.66"	290/11.42" 340/13.38" 440/17.32" 540/21.26" 640/25.20"	10/0.4"	<b>GLX00</b>	<b>GLX1001</b> (1NC) <b>GLX1010EA</b> (1EB)	<b>GLX800</b> (3 pcs) <b>GLX801</b> (4 pcs)	<b>GLX900</b> (6 pcs) <b>GLX901</b> (8 pcs)	<b>GLX500</b> <b>GLX501</b>	<b>GLX201</b> (3 pcs) <b>GLX202</b> (4 pcs)	<b>GLX550</b> (8 pcs)
<b>GLX62CB</b>		<b>GLX7150S10</b> <b>GLX7200S10</b> <b>GLX7300S10</b> <b>GLX7400S10</b> <b>GLX7500S10</b>	267/ 10.51"	337/13.27" 387/15.24" 487/19.17" 587/23.11" 687/27.05"				<b>GLX802</b> (3 pcs) <b>GLX803</b> (4 pcs)	<b>GLX902</b> (6 pcs) <b>GLX903</b> (8 pcs) Built-in	<b>GLX502</b> <b>GLX503</b> <b>GLX504</b> <b>GLX505</b>	<b>GLX206</b> (3 pcs) <b>GLX207</b> (4 pcs)	<b>GLX551</b> (8 pcs)
<b>GLX63CB</b>	-	<b>GLX7150S12</b> <b>GLX7200S12</b> <b>GLX7300S12</b> <b>GLX7400S12</b> <b>GLX7500S12</b>	308/ 12.12"	378/14.88" 428/16.85" 528/20.78" 628/24.72" 728/28.66"	12/0.47"			<b>GLX804</b> (3 pcs) <b>GLX805</b> (4 pcs)	<b>GLX904</b> (6 pcs) <b>GLX905</b> (8 pcs) Built-in	<b>GLX506</b> <b>GLX507</b>	<b>GLX208</b> (3 pcs) <b>GLX209</b> (4 pcs)	<b>GLX552</b> (8 pcs)  <b>GLX553</b> (8 pcs)

### Switch disconnectors and manual changeover switches cULus GL series



**new**



Type	General purpose current	Max 3-phase horsepower rating			Fourth pole	Neutral terminal	Earth/ground terminal	Direct operating handle		
		240V	480V	600V				Black	Red/Yellow	
Order code	[A]	[HP]	[HP]	[HP]	Order code	Order code	Order code	Order code	Order code	
UL98 three-pole switch disconnectors.										
<b>GL0100C1UL</b>	100	30	75	100	<b>GLX420100UL</b>	<b>GLX300</b>	<b>GLX301</b>	<b>GLX61DB</b>	<b>GLX61D</b>	
<b>GL0200C1UL</b>	200	75	150	200	<b>GLX420200UL</b>					
<b>GL0400C1UL</b>	400	125	250	350	<b>GLX420400UL</b>	<b>GLX302</b>	<b>GLX303</b>	<b>GLX62DB</b>	<b>GLX62D</b>	
<b>GL0600C1UL</b>	600	200	450	500	<b>GLX420600UL</b>	<b>GLX304</b>	<b>GLX305</b>	<b>GLX63DB</b>	<b>GLX63D</b>	
<b>GL0800C1UL</b>	800	250	500	500	<b>GLX420800UL</b>	<b>GLX306</b>	<b>GLX307</b>			
UL1008 three-pole manual changeover switches.										
<b>GLC0100C1UL</b>	100	30	75	100	–	–	–	<b>GLX61DB</b>	–	
<b>GLC0200C1UL</b>	200	75	150	200						
<b>GLC0400C1UL</b>	400	125	250	350				<b>GLX62DB</b>		
UL1008 four-pole manual changeover switches.										
<b>GLC0100T4C1UL</b>	100	30	75	100	–	–	–	<b>GLX61DB</b>	–	
<b>GLC0200T4C1UL</b>	200	75	150	200						
<b>GLC0400T4C1UL</b>	400	125	250	350				<b>GLX62DB</b>		

- ❶ 1-piece set. 1 terminal connection for single cable:
  - Maximum conductor cross section: 120mm<sup>2</sup>/250kcmil;
  - Minimum conductor cross section: 16mm<sup>2</sup>/6AWG.
- ❷ 3-piece set. 3 terminals connection for single cable:
  - Maximum conductor cross section: 304mm<sup>2</sup>/600kcmil;
  - Minimum conductor cross section: 33.6mm<sup>2</sup>/2AWG.
- ❸ 1-piece set. 1 terminal connection for double cables:
  - Maximum conductor cross section: 4x304mm<sup>2</sup>/4x600kcmil;
  - Minimum conductor cross section: 4x33.6mm<sup>2</sup>/4x2AWG.
- ❹ 3-piece set. 3 terminals connection for single cable:
  - Maximum conductor cross section: 120mm<sup>2</sup>/250kcmil;
  - Minimum conductor cross section: 16mm<sup>2</sup>/6AWG.
- ❺ 1-piece set. 1 terminal connection for double cables:
  - Maximum conductor cross section: 2x152mm<sup>2</sup>/2x300kcmil;
  - Minimum conductor cross section: 2x21.2mm<sup>2</sup>/2x4AWG.
- ❻ 3-piece set. 3 terminals connection for double cables:
  - Maximum conductor cross section: 4x304mm<sup>2</sup>/4x600kcmil;
  - Minimum conductor cross section: 4x33.6mm<sup>2</sup>/4x2AWG.
- ❼ 1-piece set. 1 terminal connection for single cable:
  - Maximum conductor cross section: 304mm<sup>2</sup>/600kcmil;
  - Minimum conductor cross section: 33.6mm<sup>2</sup>/2AWG.
- ❼ 3-piece set. 3 terminals connection for double cables:
  - Maximum conductor cross section: 2x152mm<sup>2</sup>/2x300kcmil;
  - Minimum conductor cross section: 2x21.2mm<sup>2</sup>/2x4AWG.

# 14 Switch disconnectors

## Summary table of combinations



Door coupling handle		Shaft extensions for door coupling handles			Shaft alignment ring	Auxiliary contacts	Terminal covers	Phase barriers	Terminal clamps	Bridging bars	Captive nuts	
Black	Red/Yellow	Order code	Panel depth		Shaft section	Order code	Order code	Order code	Order code	Order code	Order code	
Order code	Order code		min [mm/in]	max [mm/in]	□ [mm/in]							
<b>GLX61B</b>	<b>GLX61</b>	<b>GLX7150S10</b> <b>GLX7200S10</b> <b>GLX7300S10</b> <b>GLX7400S10</b> <b>GLX7500S10</b>	124/ 4.88"	194/7.64" 244/9.61" 344/13.54" 444/17.48" 544/21.42"	10/0.4"	<b>GLX00</b>	<b>GLX1001</b> (1NC) <b>GLX1010EA</b> (1EB)	<b>GLX800</b> (3 pcs) <b>GLX801</b> (4 pcs)	Built-in	<b>GLX500</b> Ⓢ <b>GLX501</b> Ⓢ	-	<b>GLX550</b> (8 pcs)
<b>GLX62B</b>	<b>GLX62</b>	<b>GLX7150S10</b> <b>GLX7200S10</b> <b>GLX7300S10</b> <b>GLX7400S10</b> <b>GLX7500S10</b>	157/ 6.18"	227/8.94" 277/10.90" 377/14.84" 477/18.78" 577/22.72"				<b>GLX802</b> (3 pcs) <b>GLX803</b> (4 pcs)	Built-in	<b>GLX502</b> Ⓢ <b>GLX503</b> Ⓢ <b>GLX504</b> Ⓢ <b>GLX505</b> Ⓢ		<b>GLX551</b> (8 pcs)
<b>GLX63B</b>	<b>GLX63</b>	<b>GLX7150S12</b> <b>GLX7200S12</b> <b>GLX7300S12</b> <b>GLX7400S12</b> <b>GLX7500S12</b>	212/ 8.34"	232/9.13" 282/11.10" 382/15.03" 482/18.97" 582/22.91"	12/0.47"			<b>GLX804</b> (3 pcs) <b>GLX805</b> (4 pcs)	<b>GLX904</b> (6 pcs) <b>GLX905</b> (8 pcs) Built-in	<b>GLX506</b> Ⓢ <b>GLX507</b> Ⓢ	-	<b>GLX552</b> (8 pcs)  <b>GLX553</b> (8 pcs)
<b>GLX61CB</b>	-	<b>GLX7150S10</b> <b>GLX7200S10</b> <b>GLX7300S10</b> <b>GLX7400S10</b> <b>GLX7500S10</b>	220/ 8.66"	290/11.42" 340/13.38" 440/17.32" 540/21.26" 640/25.20"	10/0.4"	<b>GLX00</b>	<b>GLX1001</b> (1NC) <b>GLX1010EA</b> (1EB)	<b>GLX800</b> (3 pcs) <b>GLX801</b> (4 pcs)	Built-in	<b>GLX500</b> Ⓢ <b>GLX501</b> Ⓢ	<b>GLX201</b> (3 pcs) <b>GLX202</b> (4 pcs)	<b>GLX550</b> (8 pcs)
<b>GLX62CB</b>		<b>GLX7150S10</b> <b>GLX7200S10</b> <b>GLX7300S10</b> <b>GLX7400S10</b> <b>GLX7500S10</b>	267/ 10.51"	337/13.27" 387/15.24" 487/19.17" 587/23.11" 687/27.05"				<b>GLX802</b> (3 pcs) <b>GLX803</b> (4 pcs)	Built-in	<b>GLX502</b> Ⓢ <b>GLX503</b> Ⓢ <b>GLX504</b> Ⓢ <b>GLX505</b> Ⓢ	<b>GLX206</b> (3 pcs) <b>GLX207</b> (4 pcs)	<b>GLX551</b> (8 pcs)
<b>GLX61CB</b>	-	<b>GLX7150S10</b> <b>GLX7200S10</b> <b>GLX7300S10</b> <b>GLX7400S10</b> <b>GLX7500S10</b>	220/ 8.66"	290/11.42" 340/13.38" 440/17.32" 540/21.26" 640/25.20"	10/0.4"	<b>GLX00</b>	<b>GLX1001</b> (1NC) <b>GLX1010EA</b> (1EB)	<b>GLX800</b> (3 pcs) <b>GLX801</b> (4 pcs)	Built-in	<b>GLX500</b> Ⓢ <b>GLX501</b> Ⓢ	<b>GLX201</b> (3 pcs) <b>GLX202</b> (4 pcs)	<b>GLX550</b> (8 pcs)
<b>GLX62CB</b>		<b>GLX7150S10</b> <b>GLX7200S10</b> <b>GLX7300S10</b> <b>GLX7400S10</b> <b>GLX7500S10</b>	267/ 10.51"	337/13.27" 387/15.24" 487/19.17" 587/23.11" 687/27.05"				<b>GLX802</b> (3 pcs) <b>GLX803</b> (4 pcs)	Built-in	<b>GLX502</b> Ⓢ <b>GLX503</b> Ⓢ <b>GLX504</b> Ⓢ <b>GLX505</b> Ⓢ	<b>GLX206</b> (3 pcs) <b>GLX207</b> (4 pcs)	<b>GLX551</b> (8 pcs)

## Motorised changeover switches GL series



### IEC/EN/BS

Type	Rated motor auxiliary supply voltage	IEC conventional free air thermal current Ith	IEC rated operational current Ie			Direct operating handle (standard supplied)
		AC21A (≤690V)	AC23A (≤400V)	AC23A (≤500V)	Black	
Order code	[V]	[A]	[A]	[A]	[A]	Order code

IEC/EN/BS three-pole motorised changeover switches.



new

GLCMB0125D024	24VDC	125	125	125	<b>GLX61DB</b>
GLCMB0160D024		160	160	160	
GLCMB0200D024		200	200	200	
GLCMB0250D024		250	250	250	
GLCMB0315D024		315	315	250	
GLCMB0125E110	110...125VAC/DC	125	125	125	
GLCMB0160E110		160	160	160	
GLCMB0200E110		200	200	200	
GLCMB0250E110		250	250	250	
GLCMB0315E110		315	315	250	
GLCMB0125A230	208...277VAC	125	125	125	
GLCMB0160A230		160	160	160	
GLCMB0200A230		200	200	200	
GLCMB0250A230		250	250	250	
GLCMB0315A230		315	315	250	

IEC/EN/BS four-pole motorised changeover switches.



new

GLCMB0125T4D024	24VDC	125	125	125	<b>GLX61DB</b>
GLCMB0160T4D024		160	160	160	
GLCMB0200T4D024		200	200	200	
GLCMB0250T4D024		250	250	250	
GLCMB0315T4D024		315	315	250	
GLCMB0125T4E110	110...125VAC/DC	125	125	125	
GLCMB0160T4E110		160	160	160	
GLCMB0200T4E110		200	200	200	
GLCMB0250T4E110		250	250	250	
GLCMB0315T4E110		315	315	250	
GLCMB0125T4A230	208...277VAC	125	125	125	
GLCMB0160T4A230		160	160	160	
GLCMB0200T4A230		200	200	200	
GLCMB0250T4A230		250	250	250	
GLCMB0315T4A230		315	315	250	

### cULus



new

Type	Rated motor auxiliary supply voltage	General purpose current	Max 3-phase horsepower rating			Direct operating handle (standard supplied)
		≤600V	240V	480V	600V	
Order code	[V]	[A]	[HP]	[HP]	[HP]	Order code

UL1008 three-pole motorised changeover switches.

GLCMB0100D024UL	24VDC	100	30	75	100	<b>GLX61DB</b>
GLCMB0200D024UL		200	75	150	200	
GLCMB0100E110UL	110...125VAC/DC	100	30	75	100	
GLCMB0200E110UL		200	75	150	200	
GLCMB0100A230UL	208...277VAC	100	30	75	100	
GLCMB0200A230UL		200	75	150	200	

UL1008 four-pole motorised changeover switches.



GLCMB0100T4D024UL	24VDC	100	30	75	100	<b>GLX61DB</b>
GLCMB0200T4D024UL		200	75	150	200	
GLCMB0100T4E110UL	110...125VAC/DC	100	30	75	100	
GLCMB0200T4E110UL		200	75	150	200	
GLCMB0100T4A230UL	208...277VAC	100	30	75	100	
GLCMB0200T4A230UL		200	75	150	200	

① 1-piece set. 1 terminal connection for single cable:  
 – Maximum conductor cross section: 120mm<sup>2</sup>/250kcmil;  
 – Minimum conductor cross section: 16mm<sup>2</sup>/6AWG.

② 3-piece set. 3 terminals connection for single cable:  
 – Maximum conductor cross section: 120mm<sup>2</sup>/250kcmil;  
 – Minimum conductor cross section: 16mm<sup>2</sup>/6AWG.

# 14 Switch disconnectors

## Summary table of combinations



	Auxiliary contacts	Terminal covers	Phase barriers	Terminal clamps	Bridging bars	Captive nuts	Voltage sensing connector	Spare motor operator	Direct operating handle holder (standard supplied)
	Order code	Order code	Order code	Order code	Order code	Order code	Order code	Order code	Order code
	<b>GLX1001</b> (1NC)  <b>GLX1010EA</b> (1EB)	<b>GLX800</b> (3 pcs)  <b>GLX801</b> (4 pcs)	<b>GLX900</b> (6 pcs)  <b>GLX901</b> (8 pcs)	<b>GLX500</b> ● <b>GLX501</b> ●	<b>GLX201</b> (3 pcs)  <b>GLX202</b> (4 pcs)	<b>GLX550</b> (8 pcs)	<b>GLXVS00</b> (6 pcs)  <b>GLXXS01</b> (8 pcs)	<b>GLXM1D024</b>   <b>GLXM1E110</b>   <b>GLXM1A230</b>	<b>GLXHS1</b>
	<b>GLX1001</b> (1NC)  <b>GLX1010EA</b> (1EB)	<b>GLX800</b> (3 pcs)  <b>GLX801</b> (4 pcs)	<b>GLX900</b> (6 pcs)  <b>GLX901</b> (8 pcs)	<b>GLX500</b> ● <b>GLX501</b> ●	<b>GLX201</b> (3 pcs)  <b>GLX202</b> (4 pcs)	<b>GLX550</b> (8 pcs)	<b>GLXVS00</b> (6 pcs)  <b>GLXXS01</b> (8 pcs)	<b>GLXM1D024</b>   <b>GLXM1E110</b>   <b>GLXM1A230</b>	<b>GLXHS1</b>
	Auxiliary contacts	Terminal covers	Phase barriers	Terminal clamps	Bridging bars	Captive nuts	Voltage sensing connector	Spare motor operator	Direct operating handle holder (standard supplied)
	Order code	Order code	Order code	Order code	Order code	Order code	Order code	Order code	Order code
	<b>GLX1001</b> (1NC)  <b>GLX1010EA</b> (1EB)	<b>GLX800</b> (3 pcs)  <b>GLX801</b> (4 pcs)	<b>GLX900</b> (6 pcs)  <b>GLX901</b> (8 pcs)	<b>GLX500</b> ● <b>GLX501</b> ●	<b>GLX201</b> (3 pcs)  <b>GLX202</b> (4 pcs)	<b>GLX550</b> (8 pcs)	<b>GLXVS00</b> (6 pcs)  <b>GLXXS01</b> (8 pcs)	<b>GLXM1D024</b>   <b>GLXM1E110</b>   <b>GLXM1A230</b>	<b>GLXHS1</b>
	<b>GLX1001</b> (1NC)  <b>GLX1010EA</b> (1EB)	<b>GLX800</b> (3 pcs)  <b>GLX801</b> (4 pcs)	<b>GLX900</b> (6 pcs)  <b>GLX901</b> (8 pcs)	<b>GLX500</b> ● <b>GLX501</b> ●	<b>GLX201</b> (3 pcs)  <b>GLX202</b> (4 pcs)	<b>GLX550</b> (8 pcs)	<b>GLXVS00</b> (6 pcs)  <b>GLXXS01</b> (8 pcs)	<b>GLXM1D024</b>   <b>GLXM1E110</b>   <b>GLXM1A230</b>	<b>GLXHS1</b>

## VERSATILITY!

### COMPACT SIZE

The three-pole 16A to 63A switch disconnectors, are made up of a single unit body, merely 36mm/1.42" wide, while the 63A to 160A ratings, of another frame size of only 70mm/2.75" wide.

### ACCESSORY FLEXIBILITY

Mounting and removal of the fourth pole and add-on blocks are simple and quick operations with no need for tools.

### VERSIONS FOR PHOTOVOLTAIC APPLICATIONS

The GA... series switch disconnectors are suitable for small domestic installations as well as those with a large number of solar cells. Use up to 800V in DC21B category.



### CERTIFICATIONS

The 16A to 63A types are listed for the USA and Canada, certified according to UL60947-4-1/CSA C22.2 n° 60947-4-1. The 30A to 125A types are listed for Canada and the USA, certified according to UL98A/CSA C22.2 n° 4.



### SIDE MOUNT ADD-ON FOURTH POLE

Simultaneous closing or early-make contact operation of the fourth pole with respect to the switch disconnector poles.



### ADD-ON AUXILIARY CONTACTS

Only one add-on block suitable for all the 9 ratings of switch disconnectors, having simultaneous closing with the switch disconnector poles. There are versions with an early-break NO contact with respect to the switch disconnector.

### MAXIMUM COMBINATIONS

Mounting up to 4 auxiliary contacts or 1 fourth pole and 3 auxiliary contacts (2 blocks always on the right and 2 on the left side) of each switch disconnector. The earth and neutral terminals and fuse holder also can be added.



### SWITCH STATUS INDICATION

The switch open or closed state is clearly and unequivocally seen at a distance thanks to the simple and modern design of the handles.

### TERMINAL ADAPTABILITY

Terminals are suitable to accept any type of cable: flexible, rigid, AWG wire. The terminals can withstand high tightening torques.

### 6 AND 8 POLE VERSION

Mechanical coupling systems are available for switch disconnectors with direct operating handle to provide 6/8 pole disconnectors or a mechanical interlock mechanism for the line changeover function (I - O - II). The enclosed switches are cULus certified.



### FUSE HOLDERS



A three-pole fuse holder can be added to 16A to 32A switch disconnectors, with direct operating handle, to provide a single compact unit. Access to the fuse can be made only when the disconnector is in OFF position.

### HIGH BREAKING CAPACITY

The rated currents  $I_n$  in AC23 at 690VAC are the highest of the category.

### TORX SCREW TERMINALS



Version with Torx screw terminals available on request.

### MODULARITY

The switch disconnectors can be mounted in modular panels.

### IP65 PADLOCKABLE HANDLES

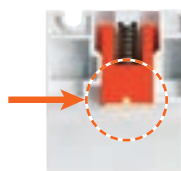
Wide range of selector or pistol grip handles, with screw or ring fixing. All handles are equipped with built-in padlockable mechanism. The selector handle GAX63... snaps onto the door mount switch disconnectors in 16A to 40A ratings, with no need for tools.



### DIN RAIL FIXING

Switch disconnector mounting on and removal from the 35mm DIN rail are done by simply pressing it downwards with no need for tools.

### ANTI-SLIDE INSERT FOR DIN RAIL



A rubber pad insert prevents the sliding of switch disconnectors on the DIN rail even when out of tolerance or mounted vertically.

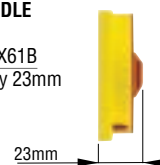
### DOOR COUPLING HANDLE WITH FRONT DIMENSIONS 48X48MM

The GAX68 and GAX68B handles can be used in panels and boxes of limited dimensions.



### REDUCED HANDLE THICKNESS

GAX61 and GAX61B handles are only 23mm thick.

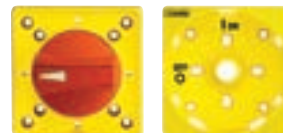


### HANDLE IP69K (GAX63K and GAX63KB)



### HANDLE ADAPTABILITY

The extensive number of fixing holes in the front handle plate can replace switch disconnectors, normally found out in the field, without having to drill others.



### UL508A HANDLE VERSION

In compliance with UL508A standards, which require internal panel inspection by authorised personnel with power applied, selector and pistol handles are available with defeatable feature of the door coupling when the switch disconnector is closed, i.e. in ON position.



### Three-pole switch disconnectors with direct operating handle and door coupling version



GA016A...  
GA040A  
GA063SA



GA030A  
GA063A...  
GA160A

Order code	IEC conventional free air thermal current Ith AC21A (≤690V)	IEC rated operational current Ie AC22A (≤690V) AC23A (≤400V)	Qty per pkg	Wt
	[A]	[A]	n°	[kg]

Direct operating version, complete with black handle.  
For door coupling version, separately purchase the handle and shaft extension (see pages 14-18 to 14-20).  
According to UL60947-4-1.

GA016A	16	16	1	0.146
GA025A	25	25	1	0.146
GA032A	32	32	1	0.146
GA040A	40	40	1	0.146
GA063SA	63	45	1	0.148

According to UL98.

GA030A	30	30	1	0.388
GA063A	63	63	1	0.388
GA080A	80	80	1	0.388
GA100A	100	100	1	0.388
GA125A	125	125	1	0.388

According to IEC/EN/BS.

GA160A	160	125	1	0.388
--------	-----	-----	---	-------

Direct operating version, complete with red/yellow handle.  
For door coupling version, separately purchase the handle and shaft extension (see pages 14-18 to 14-20).  
According to UL60947-4-1.



GA0...ARY



GA063...ARY

GA016ARY	16	16	1	0.146
GA025ARY	25	25	1	0.146
GA032ARY	32	32	1	0.146
GA040ARY	40	40	1	0.146
GA063SARY	63	45	1	0.148

According to UL98.

GA030ARY	30	30	1	0.388
GA063ARY	63	63	1	0.388
GA080ARY	80	80	1	0.388
GA100ARY	100	100	1	0.388
GA125ARY	125	125	1	0.388

According to IEC/EN/BS.

GA160ARY	160	125	1	0.388
----------	-----	-----	---	-------

### Fourth pole add-on



GAX42...A  
GAX41...A  
GAX42063SA  
GAX41063SA

Order code	IEC conventional free air thermal current Ith AC21A (≤690V)	IEC rated operational current Ie AC22A (≤690V) AC23A (≤400V)	Qty per pkg	Wt
	[A]	[A]	n°	[kg]

Simultaneous closing operation as switch disconnector poles. For GA...A... version.

GAX42040A	40	40	1	0.045
GAX42063SA	63	45	1	0.045
GAX42063A	63	63	1	0.126
GAX42080A	80	80	1	0.126
GAX42100A	100	100	1	0.126
GAX42125A	125	125	1	0.126
GAX42160A	160	125	1	0.126

Early make closing operation with respect to switch disconnector poles. For GA...A... version.

GAX41040A	40	40	1	0.046
GAX41063SA	63	45	1	0.046
GAX41125A	125	125	1	0.116

- ① Only for GA016A...GA040A...
- ② Only for GA063SA...
- ③ Only for GA030A... and GA063A...
- ④ Only for GA030A... and GA063A...GA125A...

### General characteristics

- 16A to 160A
- Available versions:
  - Direct operating
  - Door coupling. Use switch disconnector with direct operating handle and separately purchase the handle and shaft extension for this version. See pages 14-18 to 14-20
- Version with Torx screw terminals available on request
- Compact and modular size
- Screw or 35mm DIN rail fixing
- Padlockable in 0 position with no extra accessory.

### Operational characteristics

- Rated insulation voltage Ui: 1000V
- Rated impulse withstand Uimp: 8kV
- Electrical life in AC21A:
  - 100,000 cycles GA016...GA040..., GAX...40A
  - 15,000 cycles GA063SA..., GAX...063SA
  - 30,000 cycles GA030... and GA063...GA125..., GAX...063...125A
  - 1,500 cycles GA160A..., GAX42160A
- Mechanical life:
  - 100,000 cycles GA016...GA040A..., GA063SA..., GAX...40A, GAX...063SA
  - 30,000 cycles GA030... and GA063...GA160A..., GAX...063...125A, GAX42160A.

### Certifications and compliance

Certifications obtained:

Type	cULus according to UL60947-4-1 / CSA C22.2 n°60947-4-1	cULus according to UL98 / CSA C22.2 n°4	EAC
GA016A...GA040A...	●	—	●
GA063SA...	●	—	●
GA030A... and GA063A...GA125A...	—	●	●
GA160A...-GAX42160A	—	—	●
GAX41040A-GAX42040A	●	—	●
GAX41063SA-GAX42063SA	●	—	●
GAX41125A	—	●	●
GAX42063A...GAX42125A	—	●	●

● Certification obtained.

Compliant with standards: IEC/EN/BS 60947-3, IEC/EN/BS 60947-1, UL60947-4-1, UL98, CSA C22.2.

### Strokes of GA...A... poles (main poles and add-on pole)

	Travel 0→1 0°	30°	60°	90°
GA016A...GA040A... - GA063SA... Main poles			60°	
GAX42040A - GAX42063SA Simultaneous closing fourth-pole add on			60°	
GAX41040A - GAX41063SA Early-make fourth-pole add on			55°	
GA063A...GA125A... GA160A... Main poles			55°	
GAX42063A...GAX42125A GAX42160A Simultaneous closing fourth-pole add on			55°	
GAX41125A Early-make fourth-pole add on			48°	
	OFF			ON

### Three-pole switch disconnectors door mount version



GA016C...  
GA040C  
GA063SC

GA063C...  
GA160C

Order code	IEC conventional free air thermal current Ith AC21A (≤690V)	IEC rated operational current Ie AC22A (≤690V) AC23A (≤400V)	Qty per pkg	Wt [kg]
	[A]	[A]	n°	[kg]

Door mount version, complete with shaft extension (purchase handle separately, see page 14-18 and 14-19). According to UL60947-4-1.

<b>GA016C</b>	16	16	1	0.170
<b>GA025C</b>	25	25	1	0.170
<b>GA032C</b>	32	32	1	0.170
<b>GA040C</b>	40	40	1	0.170
According to IEC.				
<b>GA063SC</b>	63	40	1	0.170
According to UL98.				
<b>GA030C</b>	30	30	1	0.404
<b>GA063C</b>	63	63	1	0.404
<b>GA080C</b>	80	80	1	0.404
<b>GA100C</b>	100	100	1	0.404
<b>GA125C</b>	125	125	1	0.404
According to IEC.				
<b>GA160C</b>	160	125	1	0.404

### Fourth pole add-on



GAX42040C  
GAX41040C

Order code	IEC conventional free air thermal current Ith AC21A (≤690V)	IEC rated operational current Ie AC22A (≤690V) AC23A (≤400V)	Qty per pkg	Wt [kg]
	[A]	[A]	n°	[kg]

Simultaneous closing operation as switch disconnector poles. For GA...C version.

<b>GAX42040C</b> ①	40	40	1	0.045
<b>GAX42063SC</b>	63	40	1	0.045
<b>GAX42063C</b> ②	63	63	1	0.128
<b>GAX42080C</b>	80	80	1	0.128
<b>GAX42100C</b>	100	100	1	0.128
<b>GAX42125C</b>	125	125	1	0.128
<b>GAX42160C</b>	160	125	1	0.128

Early make closing operation with respect to switch disconnector poles. For GA...C version.

<b>GAX41040C</b> ①	40	40	1	0.046
<b>GAX41125C</b> ③	125	125	1	0.128

- ① For GA016C...GA040C only.
- ② For GA030C and GA063C only.
- ③ For GA030C and GA063C...GA125C only.

### General characteristics

- 16A to 160A
- Available versions:
  - Door mount
- Compact and modular size.

### Operational characteristics

- Rated insulation voltage Ui: 1000V
- Rated impulse withstand Uimp: 8kV
- Electrical life in AC21A:
  - 100,000 cycles GA016...GA040C, GAX...40C
  - 15,000 cycles GA063SC, GAX42063SC
  - 30,000 cycles GA030C and GA063...GA125C, GAX...063...125C
  - 1,500 cycles GA160C, GAX42160C
- Mechanical life:
  - 100,000 cycles GA016...GA040C..., GA063SC..., GAX...40C, GAX...063SC
  - 30,000 cycles GA030... and GA063...GA160C..., GAX...063...125C, GAX42160C.

### Certifications and compliance

Certifications obtained:

Type	cULus according to UL60947-4-1 / CSA C22.2 n°60947-4-1	cULus according to UL98 / CSA C22.2 n°4	EAC
GA016C...GA040C	●	—	●
GA160C	—	—	●
GAX41040C-GAX42040C	●	—	●
GAX42063SC	—	—	●
GAX42063C...GAX42125C	—	●	●
GAX42160C	—	—	●

● Certification obtained.

Compliant with standards: IEC/EN 60947-3, IEC/EN 60947-1, UL60947-4-1, UL98, CSA C22.2.

### Strokes of GA...C poles (main poles and add-on pole)

	Travel 0→1	0°	30°	60°	90°
GA016C...GA040C - GA063SC Main poles				60°	
GAX42040C - GAX42063SC Simultaneous closing fourth-pole add on				60°	
GAX41040C Early-make fourth-pole add on				55°	
GA063C...GA160C Main poles				55°	
GAX42063C...GAX42160C Simultaneous closing fourth-pole add on				55°	
GAX41125C Early-make fourth-pole add on				48°	

OFF ON

### Add-on blocks

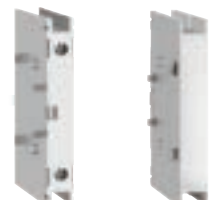


GAX1011A  
GAX1020A

GAX1011C



GAX1110EA  
GAX1210EA



GAX3...A

GAX3...C



GAX50...



GAX60...

Order code	Characteristics	Qty	Wt
		n°	[kg]

Auxiliary contacts, simultaneous closing as poles of switch disconnector.

<b>GAX1011A</b>	1NO + 1NC for GA...A..., and GA040D	1	0.030
<b>GAX1020A</b>	2NO for GA...A... and GA040D	1	0.030
<b>GAX1011C</b>	1NO + 1NC for GA...C	1	0.030

Auxiliary contacts, early-break operation with respect to poles of switch disconnector.

<b>GAX1110EA</b>	1EB(NO) for GA016A... GA040A..., GA063SA... and GA040D	1	0.035
<b>GAX1210EA</b>	1EB(NO) for GA030A... and GA063A...GA160A...	1	0.035

Neutral terminal.

<b>GAX31A</b>	For GA016A...GA040A..., GA063SA... and GA040D	1	0.040
<b>GAX32A</b>	For GA030A... and GA063A...GA160A...	1	0.110
<b>GAX31C</b>	For GA016C...GA040C and GA063SC	1	0.040
<b>GAX32C</b>	For GA030C and GA063C...GA160C	1	0.110

Earth/Ground terminal.

<b>GAX33A</b>	For GA016A...GA040A, GA063SA and GA...D	1	0.040
<b>GAX34A</b>	For GA030A and GA063A...GA160A	1	0.110
<b>GAX33C</b>	For GA016C...GA040C and GA063SC	1	0.040
<b>GAX34C</b>	For GA030C and GA063C...GA160C	1	0.110

Mechanical interlock for line changeover (I-O-II).

<b>GAX5000</b>	For GA016A...GA040A..., GA063SA..., GA040D and GAX67B; 5mm/0.2" ❶	1	0.050
<b>GAX5001</b>	For GA030A..., GA063A...GA160A... and GAX67B; 5mm/0.2" ❶	1	0.075

Mechanical coupling system for 6-8 pole switch disconnectors.

<b>GAX6000</b>	For GA016A...GA040A..., GA063SA... and GA040D; 5mm/0.2" ❶	1	0.050
<b>GAX6001</b>	For GA030A... and GA063A...GA125A..., 7mm/0.3" ❷❸	1	0.075

- ❶ Use GAX7... shaft extensions.
- ❷ Use GAX66N... handles and GAX7...AN extensions for a door coupling version.
- ❸ Cannot be used with GA160A...

Strokes of GA poles (main poles with auxiliary contacts)

		Travel 0→1	0°	30°	60°	90°
GA016...GA040... - GA063S...	Main poles				60°	
GAX1011A - GAX1011C	Auxiliary contacts (1NO+1NC)	NO			60°	
GAX1020A	Auxiliary contacts (2NO)	NC		40°		
GAX1110EA	Auxiliary contact (1EB - NO early-break with respect to main poles)		Travel 0→1		60°	
			Travel 1→0		70°	
GA030... and GA063...GA125..., GA160A	Main poles				55°	
GAX1011A - GAX1011C	Auxiliary contacts (1NO+1NC)	NO		45°		
GAX1020A	Auxiliary contacts (2NO)	NC		25°		
GAX1210EA	Auxiliary contact (1EB NO early-break with respect to main poles)		Travel 0→1		55°	
			Travel 1→0		65°	
			OFF			ON

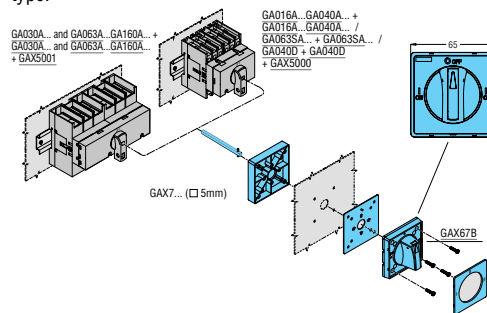
### Operational characteristics of auxiliary contacts

- Conventional free air thermal current I<sub>th</sub>: 10A
- UL/CSA and IEC/EN/BS 60947-5-1 designation: A600-Q600
- Tightening torque: 0.8Nm/7.1lb.in
- Electrical life in AC15: 100,000 cycles
- Mechanical life: 100,000 cycles.

### Operational characteristics for other devices

- Tightening torque:
  - GAX31A/C-GAX33A/C terminals: 1.8...2Nm/16...18lb.in
  - GAX32A/C-GAX34A/C terminals: 5...6Nm/45...54lb.in
  - GAX5000/1-GAX6000/1 fixing: 0.5Nm/4.4lb.in; extension with handle: 0.8Nm/7.1lb.in.

Transformation of direct operating version into door coupling type:



### Certifications and compliance

Certifications obtained:

Type	cULus according to UL 60947-4-1 / CSA C22.2 n°14	cULus according to UL98 / CSA C22.2 n°4	EAC
GAX1011A - GAX1011C	●	●	●
GAX1110EA	●	—	●
GAX1210EA	—	●	●
GAX31A - GAX31C	●	—	●
GAX32A - GAX32C	—	●	●
GAX33A - GAX33C	●	—	●
GAX34A - GAX34C	—	●	●
GAX5000 - GAX6000	●	—	●
GAX5001 - GAX6001	—	●	●

● Certification obtained.

Compliant with standards: IEC/EN/BS 60947-1, IEC/EN/BS 60947-3, IEC/EN/BS 60947-5-1, UL 60947-4-1, UL98, CSA C22.2.

### Maximum combinations

**GA016A...GA040A...GA040D** Sequence and maximum combination of add-on blocks on direct operating switch disconnectors.

1	1	1	—	1	GA016A... GA025A... GA032A... GA040A... GA040D	—	—	2	1	1	
1	1	2	—	—		1	—	—	1	1	1
1	1	1	—	1		—	1	1	1	1	1
1	1	1	1	—		—	—	—	2	1	1
1	1	2	—	—		—	—	1	1	1	1
1	1	2	—	—		—	—	—	2	1	1
1	1	—	—	—		—	1	—	—	1	1
1	1	—	—	—		—	—	—	—	1	1
1	1	—	—	1		—	—	—	—	1	1
1	1	—	—	—		—	—	—	—	1	1

GA042040D can be used with GA040D switch only.

**GA063SA...**

1	1	1	—	1	GA063SA...	—	—	2	1	1	
1	1	2	—	—		1	1	—	1	1	1
1	1	1	—	1		—	—	1	1	1	1
1	1	1	1	—		—	1	—	1	1	1
1	1	2	—	—		—	—	—	2	1	1
1	1	2	—	—		—	—	1	1	1	1
1	1	—	—	—		—	1	—	—	1	1
1	1	—	—	—		—	—	—	—	1	1
1	1	—	—	1		—	—	—	—	1	1
1	1	—	—	—		—	—	—	—	1	1

**GA030A... and GA063A...GA160A...**

—	—	1	—	1	GA030A... GA063A... GA080A... GA100A... GA125A... GA160A...	—	—	2	—	—	
—	—	2	—	—		1	—	—	1	—	—
—	—	1	—	1		—	—	1	1	—	—
—	—	1	1	—		—	1	—	1	—	—
—	—	1	1	—		—	—	—	2	—	—
—	—	2	—	—		—	—	1	1	—	—
—	—	2	—	—		—	—	—	2	—	—
1	1	—	—	—		—	1	—	—	1	1
1	1	—	—	1		—	—	—	—	1	1
1	1	—	—	—		—	—	—	—	1	1

GA160A... can be fitted with 1 single 4th pole (GAX42160A) on one side and an auxiliary contact on the other.

**GA016C...GA040C** Sequence and maximum combination of add-on blocks on door mount switch disconnectors.

1	1	1	—	1	GA016C GA025C GA032C GA040C GA063C	—	—	1	1	1	
1	1	1	—	—		1	1	—	1	1	1
1	1	—	—	1		—	—	1	1	1	1
1	1	1	1	—		—	1	—	1	1	1
1	1	1	—	—		—	—	1	1	1	1
1	1	—	—	—		—	—	—	—	1	1

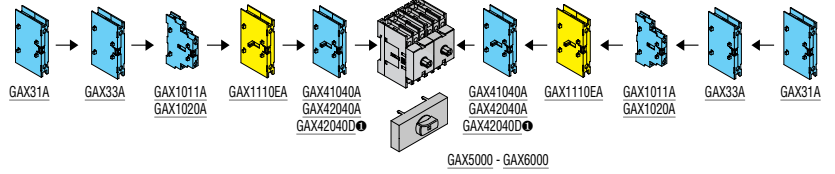
**GA030C and GA063C...GA125C**

—	—	1	—	1	GA030C GA063C GA080C GA100C GA125C GA160C	—	—	1	—	—	
—	—	1	—	—		1	1	—	—	—	—
1	1	—	—	1		—	—	1	—	—	—
—	—	1	—	—		—	—	—	1	—	—
—	—	1	—	—		—	—	—	1	—	—
1	1	—	—	—		—	—	—	—	1	1

### Maximum combinations

**GA016A...GA040A...  
GA040D  
+ GAX5000 -  
GAX6000**

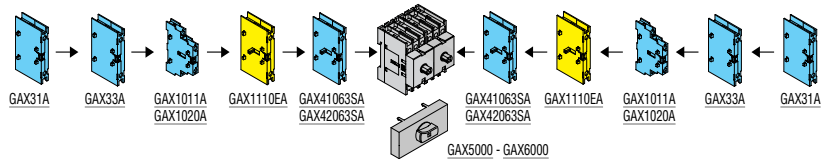
Sequence and maximum combination for mechanical coupling and mechanical interlock for line changeover.



1	1	1	—	1	GA016A...+ GA016A... GA025A...+ GA025A... GA032A...+ GA032A... GA040A...+ GA040A... GA040D+ GA040D ❶	1	—	1	1	1
1	1	1	—	1		—	—	2	1	1
1	1	2	—	—		1	—	1	1	1
1	1	1	—	1		—	1	—	1	1
1	1	1	1	—		—	—	—	2	1
1	1	2	—	—		—	—	1	1	1
1	1	2	—	—		—	—	—	2	1
1	1	—	—	1		—	—	—	—	1
1	1	—	—	—		—	—	—	—	1
1	1	—	—	—		—	—	—	—	1

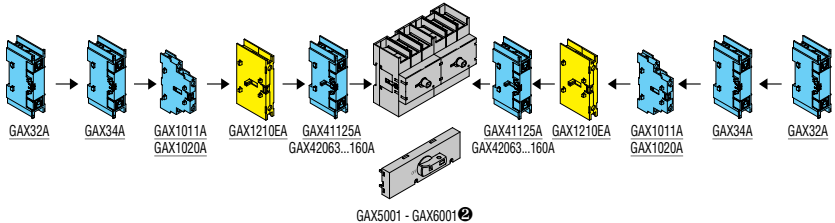
❶ GAX42040D can be used with GA040D switch only.

**GA063SA...  
+ GAX5000 -  
GAX6000**



1	1	1	—	1	GA063SA...+ GA063SA...	1	—	1	1	1
1	1	1	—	1		—	—	2	1	1
1	1	2	—	—		1	—	1	1	1
1	1	1	—	1		—	1	—	1	1
1	1	1	1	—		—	—	—	2	1
1	1	2	—	—		—	—	1	1	1
1	1	2	—	—		—	—	—	2	1
1	1	—	—	1		—	—	—	—	1
1	1	—	—	—		—	—	—	—	1
1	1	—	—	—		—	—	—	—	1

**GA030A... and  
GA063A...GA160A...  
+ GAX5001 -  
GAX6001**



—	—	1	—	1	GA030A...+ GA030A... GA063A...+ GA063A... GA080A...+ GA080A... GA100A...+ GA100A... GA125A...+ GA125A... GA160A...+ GA160A... ❶	1	—	1	—	—
—	—	1	—	1		—	—	2	—	—
—	—	2	—	—		1	—	1	—	—
—	—	1	—	1		—	1	—	1	—
—	—	1	1	—		—	—	—	2	—
—	—	2	—	—		—	—	1	1	—
—	—	2	—	—		—	—	—	2	—
1	1	—	—	1		—	—	—	—	1
1	1	—	—	—		—	—	—	—	1
1	1	—	—	—		—	—	—	—	1

❶ GA160A... can be fitted with a single auxiliary contact (GAX1011A or GAX1020A) per side.

❷ Cannot be used with GA160A...

# 14 Switch disconnectors

GA series 16A to 160A.

Add-on blocks and accessories

INDEX

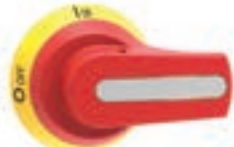
## Handles



GAX61



GAX63



GAX66N



GAX68

- ❶ For GA...A..., GA040D and GD... switch disconnectors, separately purchase extension GAX7...
- ❷ Snap-on fixing of GA016C...GA040C and GA063SC switch disconnectors with the handle.
- ❸ Separately purchase GAX7...AN shaft extension and GAX60B adaptor.

Order code	Characteristics	Qty per pkg	Wt
		n°	[kg]
DOOR COUPLING VERSION PADLOCKABLE, IP65 (TYPE 4X). Red/yellow.			
<b>GAX61</b>	For GA...A..., GA...C, GA040D and GD... Screw fixing. Handle with selector flush-mounted ❶. □ 5mm/0.2"	1	0.073
<b>GAX62</b>	For GA...A..., GA...C, GA040D and GD... Screw fixing. Handle with selector protruding ❶. □ 5mm/0.2"	1	0.072
<b>GAX63</b>	For GA...A..., GA016C...GA040C, GA063SC, GA040D and GD... Ring fixing. Handle with selector protruding ❷❸. □ 5mm/0.2"	1	0.068
<b>GAX63K</b>	For GA...A..., GA016C...GA040C, GA063SC, GA040D and GD... Ring fixing. Handle with selector protruding ❷❸. □ 5mm/0.2" IP69K	1	0.068
<b>GAX632</b>	For GA...A..., GA040D and GD... Ring fixing low profile. Handle with selector protruding. □ 5mm/0.2" ❶	1	0.057
<b>GAX64</b>	For GA...A..., GA040D and GD... Ring fixing. Handle with selector protruding - defeatable (requirement UL508A) ❶. □ 5mm/0.2"	1	0.064
<b>GAX66N</b>	For GA030A..., GA063A...GA160A... and GAX6001. Screw fixing. Pistol handle - defeatable (req. UL 508A) ❶. □ 7mm/0.3"	1	0.140
<b>GAX68</b>	For GA016A...GA040A..., GA063SA, GA040D, GA016C...GA040C, GA063SC and GD... Screw fixing. Handle with selector lowered ❶. □ 5mm/0.2"	1	0.060

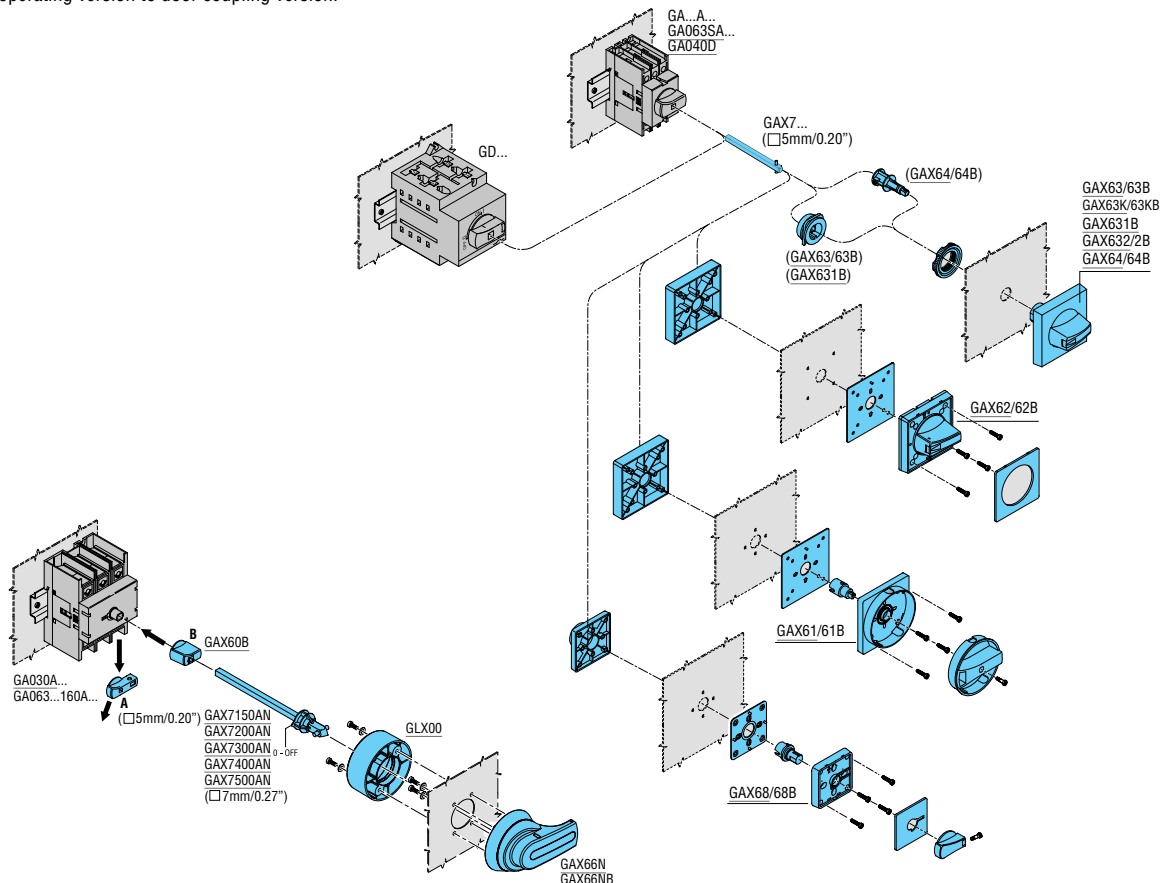
## General and operational characteristics

- Choice of handle fixing: ring or screw
- Handle fixing centres:
  - GAX61/61B-GAX62/62B-GAX67B: 36x36mm/1.42x1.42" or 48x48mm/1.89x1.89"
  - GAX66N/66NB: 28x40mm/1.10x1.57"
  - GAX68/68B: 28x28mm/1.10x1.10" or 36x36mm/1.42x1.42"
- Compatible with pre-existing drillings of most common types in the marketplace
- 1 to 3 padlocks in the Ø4...8mm/0.16...0.31" for all handles except:
  - GAX68 only 1 padlock in the Ø4...8mm/0.16...0.31"
  - GAX61 up to 3 padlocks in the Ø5...8mm/0.20...0.31"
- Front plate dimensions:
  - GAX61/61B-GAX62/62B-GAX63/63B-GAX64/64B-GAX67/67B: 65x65mm/2.56x2.56"
  - GAX66N/66NB: Ø76mm/2.99"
  - GAX68/68B: 48x48mm/1.89x1.89"
- Tightening torque:
  - Fixing ring types: 2.3Nm/20.4lb.in
  - GAX60B: 0.8Nm/7lb.in
  - GAX66N/66NB: 1.5Nm/13.3lb.in
  - All others: 0.8Nm/7lb.in
- Degree of protection for GAX63K/63KB and GAX66N/66NB: IP66, IP69K; for UL/CSA data see detail on page 14-20
- Degree of protection for all others handles: IP65.

## Certifications and compliance

See the table on page 14-20.

From direct operating version to door coupling version.



# 14 Switch disconnectors

GA series 16A to 160A.

Add-on blocks and accessories

## Handles



**GAX61B**



**GAX63...B**



**GAX632B**



**GAX67B**

❶ For GA...A..., GA040D and GD... switch disconnectors, separately purchase extension GAX7...

❷ Snap-on fixing of GA016C...GA040C and GA063SC switch disconnectors with the handle.

❸ Separately purchase GAX7...AN shaft extension and GAX60B adaptor.

Order code	Characteristics	Qty per pkg	Wt [kg]
		n°	[kg]
DOOR COUPLING VERSION PADLOCKABLE, IP65 (TYPE 4X). Black.			
<b>GAX61B</b>	For GA...A..., GA...C, GA040D and GD... Screw fixing. Handle with selector flush-mounted ❶. □ 5mm/0.2"	1	0.073
<b>GAX62B</b>	For GA...A..., GA...C, GA040D and GD... Screw fixing. Handle with selector protruding ❶. □ 5mm/0.2"	1	0.072
<b>GAX63B</b>	For GA...A..., GA016C...GA040C, GA063SC, GA040D and GD... Ring fixing. Handle with selector protruding ❶❷. □ 5mm/0.2"	1	0.068
<b>GAX63KB</b>	For GA...A..., GA016C...GA040C, GA063SC, GA040D and GD... Ring fixing. Handle with selector protruding ❶❷. □ 5mm/0.2". IP69K	1	0.068
<b>GAX631B</b>	For GA...A..., GA016C...GA040C, GA063SC, GA040D and GD... Ring fixing. Handle with selector protruding padlockable in ON pos. (UNI 9490 and UNI EN 12845) ❶❷. □ 5mm/0.2"	1	0.074
<b>GAX632B</b>	For GA...A..., GA040D and GD... Ring fixing low profile. Handle with selector protruding. □ 5mm/0.2" ❶	1	0.057
<b>GAX64B</b>	For GA...A..., GA040D and GD... Ring fixing. Handle with selector protruding - defeatable (requir. UL508A) ❶. □ 5mm/0.2"	1	0.064
<b>GAX66NB</b>	For GA030A..., GA063A...GA160A... and GAX6001. Screw fixing. Pistol handle - defeatable (req. UL 508A) ❶. □ 7mm/0.3"	1	0.140
<b>GAX67B</b>	For mechanical interlock GAX50... (I-O-II) ❶. □ 5mm/0.2"	1	0.078
<b>GAX68B</b>	For GA016A...GA040A..., GA063SA, GA040D, GA016C...GA040C, GA063SC and GD.... Screw fixing. Handle with selector lowered ❶. □ 5mm/0.2"	1	0.060

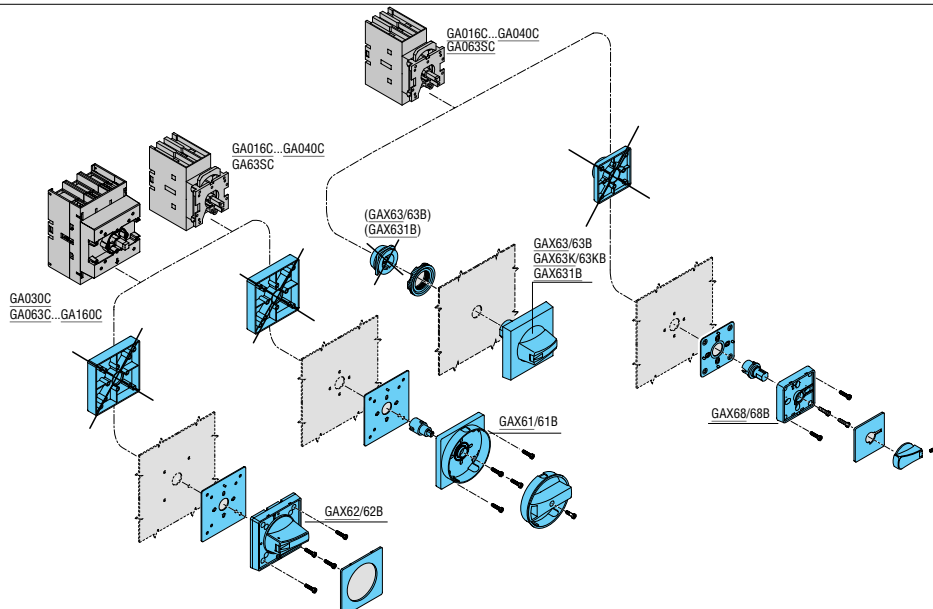
## General and operational characteristics

- Choice of handle fixing: ring or screw
- Handle fixing centres:
  - GAX61/61B-GAX62/62B-GAX67B: 36x36mm/1.42x1.42" or 48x48mm/1.89x1.89"
  - GAX66N/66NB: 28x40mm/1.10x1.57"
  - GAX68/68B: 28x28mm/1.10x1.10" or 36x36mm/1.42x1.42"
  - Compatible with pre-existing drillings of most common types in the marketplace
- 1 to 3 padlocks in the Ø4...8mm/0.16...0.31" for all handles except:
  - GAX68 only 1 padlock in the Ø4...8mm/0.16...0.31"
  - GAX61 up to 3 padlocks in the Ø5...8mm/0.20...0.31"
- Front plate dimensions:
  - GAX61/61B-GAX62/62B-GAX63/63B-GAX64/64B-GAX67/67B: 65x65mm/2.56x2.56"
  - GAX66N/66NB: Ø76mm/2.99"
  - GAX68/68B: 48x48mm/1.89x1.89"
- Tightening torque:
  - Fixing ring types: 2.3Nm/20.4lb.in
  - GAX60B: 0.8Nm/7lb.in
  - GAX66N/66NB: 1.5Nm/13.3lb.in
  - All others: 0.8Nm/7lb.in
- Degree of protection for GAX63K/63KB and GAX66N/66NB: IP66, IP69K; for UL/CSA data see detail on page 14-20
- Degree of protection for all others handles: IP65.

## Certifications and compliance

See the table on page 14-20.

Door mount version.



# 14 Switch disconnectors

GA series 16A to 160A.

Add-on blocks and accessories



INDEX

## Shaft extensions Terminal covers Fuse holders



GAX7...



GAX7... AN



GLX00



GAX60B



GAX18S0...



GAX8...



GAX391...

Order code	Characteristics	Qty per pkg	Wt
		n°	[kg]

Shaft extension for door coupling handles GAX61..., GAX62..., GAX63..., GAX64..., GAX68..., GAX67B, and mechanical interlock type GAX5000, GAX5001 and mechanical coupling GAX6000 ❶.

<b>GAX7055</b>	55mm/2.16" long □ 5mm/0.2"	1	0.012
<b>GAX7070</b>	70mm/2.75" long □ 5mm/0.2"	1	0.014
<b>GAX7090</b>	90mm/3.54" long □ 5mm/0.2"	1	0.018
<b>GAX7150</b>	150mm/5.90" long □ 5mm/0.2"	1	0.032
<b>GAX7200</b>	200mm/7.87" long □ 5mm/0.2"	1	0.070
<b>GAX7300</b>	300mm/11.81" long □ 5mm/0.2"	1	0.068
<b>GAX7400</b>	400mm/15.75" long □ 5mm/0.2"	1	0.072
<b>GAX7500</b>	500mm/19.68" long □ 5mm/0.2"	1	0.090

Shaft extension for door coupling handles GAX66N, GAX66NB and mechanical coupling system GAX6001.

<b>GAX7150AN</b>	150mm/5.90" long □ 7mm/0.3"	1	0.090
<b>GAX7200AN</b>	200mm/7.87" long □ 7mm/0.3"	1	0.112
<b>GAX7300AN</b>	300mm/11.81" long □ 7mm/0.3"	1	0.160
<b>GAX7400AN</b>	400mm/15.74" long □ 7mm/0.3"	1	0.200
<b>GAX7500AN</b>	500mm/19.68" long □ 7mm/0.3"	1	0.250

Adaptor for GAX66N and GAX66NB handles.

<b>GAX60B</b>	Adaptor □ 7mm/0.3" for GA030A..., GA063A...GA160A...	1	0.010
---------------	--	---	-------

Accessory for shaft extension.

<b>GLX00</b>	Shaft alignment ring	1	0.040
--------------	----------------------	---	-------

Support for shaft extension.

<b>GAX18S05</b>	□ 5mm/0.2"	1	0.160
<b>GAX18S07</b>	□ 7mm/0.27"	1	0.160

Set of 2 one-pole terminal covers for fourth pole.

<b>GAX81</b>	For GAX42040A, GAX42063SA, GAX42040C, GAX42063SC, GAX42040D, GAX41040A, GAX41063SA and GAX41040C	1	0.009
<b>GAX82</b>	For GAX42063A...GAX42160A, GAX42063C...GAX42160C, GAX41125A and GAX41125C	1	0.012

Set of 2 three-pole terminal covers.

<b>GAX83</b>	For GA016A...GA040A..., GA063SA..., GA016C...GA063C, GA063SC and GA040D	1	0.011
<b>GAX84</b>	For GA030A..., GA063A...GA160A..., GA030C..., GA063C...GA160C	1	0.030

Fuse holder for switch disconnectors.

<b>GAX391</b>	For GA016A...GA032A... Suitable for 10.3x38 fuse size	1	0.132
<b>GAX391UL</b>	For GA016A...GA025A... Suitable for Class CC 10.3x38 fuse size	1	0.135

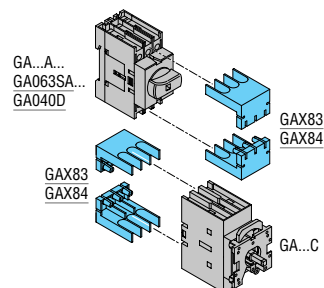
❶ Other lengths available on request.

## Operational characteristics of fuse holder

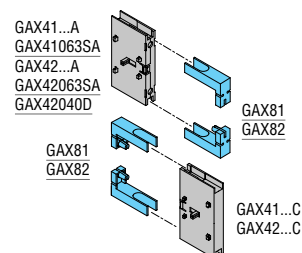
- IEC rated insulation voltage  $U_i$ : 1000V
- IEC rated impulse withstand  $U_{imp}$ : 8kV
- The fuse holders connect directly to the switch disconnectors
- Access to fuses only when the switch disconnectors are in OFF position.

## Terminal covers

For switch disconnectors



For fourth pole



## Certifications and compliance

Certifications obtained:

Type	cULus according to UL60947-4-1 / CSA C22.2 n°60947-4-1	cULus according to UL98 / CSA C22.2 n°4	EAC
GAX61-GAX61B	●	●	●
GAX62-GAX62B	●	●	●
GAX63-GAX63B	●	●	●
GAX63K-GAX63KB	—	—	●
GAX631B	—	—	●
GAX632-GAX632B	●	●	●
GAX64-GAX64B	●	●	●
GAX66N-GAX66NB	—	●	●
GAX67B	●	●	●
GAX68-GAX68B	●	—	●
GAX60B	—	●	●
GAX7055...GAX7500	●	●	●
GAX7150A...GAX7300A	—	●	●
GAX81-GAX83	●	—	●
GAX82-GAX84	—	●	●
GAX391	—	—	●
GAX391UL	●	—	—

● Certification obtained.

NOTE: types GAX61/61B, GAX62/62B, GAX63/63B, GAX63K/63KB, GAX632/632B, GAX64/64B, GAX68/68B, GAX67B are UL/CSA Type 1, 2, 3R, 12, 12K, 4, 4X external use when used with types GA016...40A/C, GA040D and GA063SA/C.

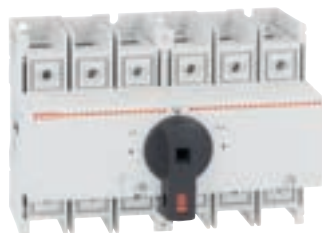
GAX61/61B, GAX62/62B, GAX63/63B, GAX63K/63KB, GAX632/632B, GAX64/64B, GAX66N/66NB, GAX67B are UL/CSA Type 1, 3R, 12, 12K, 4, 4X external use when used with types GA030A/C and GA063...GA125A/C.

Compliant with standards: IEC/EN/BS 60947-1, IEC/EN/BS 60947-3, UL60947-4-1, UL98, CSA C22.2.

### Assembled manual changeover switches



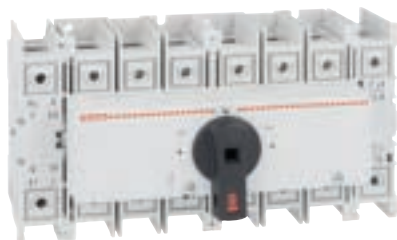
GA025...063...ET6



GA080...160ET6



GA025...063...ET8



GA080...160ET8

Order code	IEC conventional thermal current I <sub>th</sub> AC21A (≤690V)	IEC rated operational current I <sub>e</sub> AC22A (≤690V) AC23A (≤400V)	Qty per pkg	Wt
	[A]	[A]	n°	[kg]
Three-pole versions.				
<b>GA025ET6</b>	25	25	1	0.350
<b>GA040ET6</b>	40	40	1	0.350
<b>GA063SAET6</b>	63	45	1	0.350
<b>GA080ET6</b>	80	80	1	0.881
<b>GA125ET6</b>	125	125	1	0.881
<b>GA160ET6</b>	160	125	1	0.881
Four-pole versions.				
<b>GA025ET8</b>	25	25	1	1.250
<b>GA040ET8</b>	40	40	1	1.250
<b>GA063SAET8</b>	63	45	1	1.250
<b>GA080ET8</b>	80	80	1	1.133
<b>GA125ET8</b>	125	125	1	1.133
<b>GA160ET8</b>	160	125	1	1.133

### Components

Switch disconnector	Fourth pole	Mechanical interlock
2 x GA025A	-	GAX5000
2 x GA040A	-	GAX5000
2 x GA063SA	-	GAX5000
2 x GA080A	-	GAX5001
2 x GA125A	-	GAX5001
2 x GA160A	-	GAX5001
2 x GA025A	2 x GAX42040A	GAX5000
2 x GA040A	2 x GAX42040A	GAX5000
2 x GA063SA	2 x GAX42063SA	GAX5000
2 x GA080A	2 x GAX42080A	GAX5001
2 x GA125A	2 x GAX42125A	GAX5001
2 x GA160A	2 x GAX42160A	GAX5001

### Switch disconnectors complete with shaft extension, door-coupling handle and terminal covers



GA...A...K...

Order code	IEC conventional thermal current I <sub>th</sub> AC21A (≤690V)	IEC rated operational current I <sub>e</sub> AC22A (≤690V) AC23A (≤400V)	Poles	Qty per pkg	Wt
	[A]	[A]	n°	n°	[kg]
Three-pole versions.					
<b>GA025AK30063T4</b>	25	25	3P	1	0.302
<b>GA040AK30063T4</b>	40	40	3P	1	0.302
<b>GA063SAK30063T4</b>	63	45	3P	1	0.302
Four-pole versions.					
<b>GA025AK30063T4</b>	25	25	4P	1	0.356
<b>GA040AK30063T4</b>	40	40	4P	1	0.356
<b>GA063SAK30063T4</b>	63	45	4P	1	0.356

### Components

Switch disconnector	Fourth pole	Terminal cover	
		3P	1P
GA025A	-	GAX83	-
GA040A	-	GAX83	-
GA063SA	-	GAX83	-
GA025A	GAX42040A	GAX83	GAX81
GA040A	GAX42040A	GAX83	GAX81
GA063SA	GAX42063SA	GAX83	GAX81

- 300mm/11.8" shaft extension: GAX7300
- Red/yellow door-coupling handle: GAX63
- 2 pcs-set of terminal covers for both line and load terminals protection.

# 14 Switch disconnectors

GA series 16A to 160A.

Empty plastic enclosures

INDEX

## Empty plastic enclosures IEC/EN/BS IP65 type



GAZ1

GAZ2



GAZ3



GAX30

Order code	Description	Qty per pkg	Wt
		n°	[kg]

For switch disconnectors.  
With red/yellow handle. Complete with shaft extension.

<b>GAZ1</b>	For GA016A...GA040A.../D	1	0.320
<b>GAZ2</b>	For GA063SA..., GA030A... and GA063A...GA100A...	1	0.780
<b>GAZ3</b>	For GA125A...GA160A...	1	1.900

With black handle. Complete with shaft extension.

<b>GAZ1B</b>	For GA016A...GA040A.../D	1	0.320
<b>GAZ2B</b>	For GA063SA..., GA030A... and GA063A...GA100A...	1	0.730
<b>GAZ3B</b>	For GA125A...GA160A...	1	1.900

Accessory.

<b>GAX30</b>	Shielded cable fixing kit for GAZ1 and GAZ1B	1	0.083
--------------	--	---	-------

The empty enclosures are supplied with the following accessories:

Enclosure	GAZ1 GAZ1B	GAZ2 GAZ2B	GAZ3 GAZ3B
Red/yellow handle	GAX61	GAX61	GAX61
Black handle	GAX61B	GAX61B	GAX61B
Extension	1	1	1
Neutral plate terminal	1	1	-
Earth/Ground plate terminal	1	1	-

### General characteristics

- Enclosure material: ABS
- Padlockable handles
- Sealable cover
- Tightening torque for cover screws:
  - GAZ1...: 1.3Nm/16lb.in
  - GAZ2... and GAZ3...: 1.5Nm/13lb.in
- Degree of protection: IP65
- Cable entry:
  - GAZ1... types: PG16/M25 and PG13.5/M20 knockouts
  - GAZ2... types: PG16/M25 and PG29/M32 knockouts
  - GAZ3... types: smooth surfaces; can be drilled by customer.

### Certifications and compliance

Certifications obtained: EAC.  
Compliant with standards: IEC/EN/BS 60947-3, IEC/EN/BS 60947-1.

## Empty plastic enclosures UL/CSA Type 4/4X



GAZ1UL



GAZ2UL



GAX30

Order code	Description	Qty per pkg	Wt
		n°	[kg]

For switch disconnectors.  
With red/yellow handle. Complete with shaft extension.

<b>GAZ1UL</b>	For GA016A...GA040A... and GA040D	1	0.320
<b>GAZ2UL</b>	For GA063SA...	1	0.730

With black handle. Complete with shaft extension.

<b>GAZ1BUL</b>	For GA016A...GA040A... and GA040D	1	0.320
<b>GAZ2BUL</b>	For GA063SA...	1	0.730

Accessory.

<b>GAX30</b>	Shielded cable fixing kit for GAZ1UL and GAZ1BUL	1	0.083
--------------	--	---	-------

The empty enclosures are supplied with the following accessories:

Enclosure	GAZ1UL GAZ1BUL	GAZ2UL GAZ2BUL
Red/yellow handle	GAX61	GAX61
Black handle	GAX61B	GAX61B
Extension	1	1
Neutral plate terminal	1	1
Earth/Ground plate terminal	1	1

### General characteristics

- Enclosure material: polycarbonate
- Padlockable handles
- Sealable cover
- Tightening torque for cover screws:
  - GAZ1...UL: 1.3Nm/16lb.in
  - GAZ2...UL: 1.5Nm/13lb.in
- Degree of protection: IP65; UL/CSA Type 4/4X
- Cable entry:
  - GAZ1...UL types: PG16/M25 and PG13.5/M20 knockouts
  - GAZ2...UL types: PG16/M25 and PG29/M32 knockouts.

### Certifications and compliance

Certifications obtained: cULus for GAZ016...GAZ125...UL, GAZ1...UL and GAZ2...UL types; EAC for all.  
Compliant with standards: IEC/EN/BS 60947-3, IEC/EN/BS 60947-1, UL60947-4-1 e CSA C22.2 n°60947-4-1 (up to GAZ063SA...), UL98 and CSA C22.2 n°4 (for all others types).

# 14 Switch disconnectors

GA series 16A to 160A.

Switch disconnectors in plastic enclosure

## Switch disconnectors in plastic enclosure IEC/EN/BS IP65



GAZ016...GAZ040...



GAZ016...B...GAZ040...B



GAZ063...100C...



GAZ063...B...100C...B



GAZ125... GAZ160...



GAZ125...B... GAZ160...B

Order code	IEC conventional thermal current Ith	IEC rated operational current Ie		Qty per pkg	Wt [kg]
	AC21A (≤690V)	AC23B (≤400V)	AC23B (≤500V)		
	[A]	[A]	[A]	n°	[kg]

THREE-POLE.  
With red/yellow handle.

GAZ016	16	16	16	1	0.450
GAZ025	25	25	25	1	0.450
GAZ032	32	32	25	1	0.450
GAZ040	40	40	25	1	0.450
GAZ063SA	63	45	25	1	0.870
GAZ063C	63	63	63	1	1.220
GAZ080C	80	80	63	1	1.220
GAZ100C	100	100	80	1	1.220
GAZ125	125	125	100	1	2.220
GAZ160	160	125	100	1	2.220

THREE-POLE.  
With black handle.

GAZ016B	16	16	16	1	0.450
GAZ025B	25	25	25	1	0.450
GAZ032B	32	32	25	1	0.450
GAZ040B	40	40	25	1	0.450
GAZ063SAB	63	45	25	1	0.870
GAZ063CB	63	63	63	1	1.220
GAZ080CB	80	80	63	1	1.220
GAZ100CB	100	100	80	1	1.220
GAZ125B	125	125	100	1	2.220
GAZ160B	160	125	100	1	2.220

FOUR-POLE.  
With red/yellow handle.

GAZ016T4	16	16	16	1	0.550
GAZ032T4	32	32	25	1	0.550
GAZ040T4	40	40	25	1	0.550
GAZ063SAT4	63	45	25	1	0.780
GAZ063CT4	63	63	63	1	1.250
GAZ100CT4	100	100	80	1	1.250
GAZ125T4	125	125	100	1	2.500
GAZ160T4	160	125	100	1	2.500

FOUR-POLE.  
With black handle.

GAZ016T4B	16	16	16	1	0.550
GAZ032T4B	32	32	25	1	0.550
GAZ040T4B	40	40	25	1	0.550
GAZ063SAT4B	63	45	25	1	0.780
GAZ063CT4B	63	63	63	1	1.250
GAZ100CT4B	100	100	80	1	1.250
GAZ125T4B	125	125	100	1	2.500
GAZ160T4B	160	125	100	1	2.500

### General characteristics

- Enclosure material: ABS
- For four-pole types not indicated, separately purchase corresponding fourth pole GAX42...A and install on enclosed 3-pole version
- Possible accessories to mount afterwards, if any required:
  - GAX30 to provide shielded cable connection continuity (e.g. with static converters)
  - GAZ016...GAZ040...: 1 contact block both on the right and left disconnector side unless 4th pole is installed
  - Other types: 2 contact blocks both on the right and left disconnector side unless 4th pole is installed
  - GAZ125...GAZ160...: if any earth/ground and/or neutral terminal required, separately purchase types GAX3... given on page 14-15
- Padlockable handles
- Sealable cover

### Components

Enclosure	Switch disconnector	Handle standard supplied with GAZ...
-----------	---------------------	--------------------------------------

GAZ1	GA016A	GAX61
GAZ1	GA025A	GAX61
GAZ1	GA032A	GAX61
GAZ1	GA040A	GAX61
GAZ2	GA063SA	GAX61
GAZ2	GA063A	GAX61
GAZ2	GA080A	GAX61
GAZ2	GA100A	GAX61
GAZ3	GA125A	GAX61
GAZ3	GA160A	GAX61

GAZ1B	GA016A	GAX61B
GAZ1B	GA025A	GAX61B
GAZ1B	GA032A	GAX61B
GAZ1B	GA040A	GAX61B
GAZ2B	GA063SA	GAX61B
GAZ2B	GA063A	GAX61B
GAZ2B	GA080A	GAX61B
GAZ2B	GA100A	GAX61B
GAZ3B	GA125A	GAX61B
GAZ3B	GA160A	GAX61B

Enclosure	Switch disconnector	4th pole	Handle standard supplied with GAZ...
GAZ1	GA016A	GAX42040A	GAX61
GAZ1	GA032A	GAX42040A	GAX61
GAZ1	GA040A	GAX42040A	GAX61
GAZ2	GA063SA	GAX42063SA	GAX61
GAZ2	GA063A	GAX42063A	GAX61
GAZ2	GA100A	GAX42100A	GAX61
GAZ3	GA125A	GAX42125A	GAX61
GAZ3	GA160A	GAX42160A	GAX61

GAZ1B	GA016A	GAX42040A	GAX61B
GAZ1B	GA032A	GAX42040A	GAX61B
GAZ1B	GA040A	GAX42040A	GAX61B
GAZ2B	GA063SA	GAX42063SA	GAX61B
GAZ2B	GA063A	GAX42063A	GAX61B
GAZ2B	GA100A	GAX42100A	GAX61B
GAZ3B	GA125A	GAX42125A	GAX61B
GAZ3B	GA160A	GAX42160A	GAX61B

- Tightening torque for cover screws:
  - GAZ016...GAZ040...: 1.3Nm/16lb.in
  - Other types: 1.5Nm/13lb.in
- Degree of protection: IP65
- Cable entry:
  - GAZ016... GAZ040... types: PG16/M25 and PG13.5/M20 knockouts
  - GAZ063SA...GAZ100... types: PG16/M25 and PG29/M32 knockouts
  - GAZ125... GAZ160... types: smooth surfaces; can be drilled by customer.

### Certifications and compliance

Certifications obtained: EAC.  
Compliant with standards: IEC/EN/BS 60947-3, IEC/EN/BS 60947-1.

# 14 Switch disconnectors

GA series 16A to 160A.

Switch disconnectors in plastic enclosure



INDEX

## Switch disconnectors in plastic enclosure UL/CSA Type 4/4X



GAZ016...UL...GAZ040...UL



GAZ016...BUL...GAZ040...BUL



GAZ063...UL...100...UL



GAZ063...BUL...100...BUL



GAZ125...UL



GAZ125...BUL

Order code	IEC conventional thermal current Ith AC21A (≤690V)	IEC rated operational current Ie		Qty per pkg	Wt [kg]
		AC23B (≤400V)	AC23B (≤500V)		
	[A]	[A]	[A]	n°	[kg]

THREE-POLE.  
With red/yellow handle.

GAZ016UL	16	16	16	1	0.450
GAZ025UL	25	25	25	1	0.450
GAZ032UL	32	32	25	1	0.450
GAZ040UL	40	40	25	1	0.450
GAZ063SAUL	63	45	25	1	0.870
GAZ063UL	63	63	63	1	1.220
GAZ080UL	80	80	63	1	2.220
GAZ100UL	100	100	80	1	2.220
GAZ125UL	125	125	100	1	2.220

THREE-POLE.  
With black handle.

GAZ016BUL	16	16	16	1	0.450
GAZ025BUL	25	25	25	1	0.450
GAZ032BUL	32	32	25	1	0.450
GAZ040BUL	40	40	25	1	0.450
GAZ063SABUL	63	45	25	1	0.870
GAZ063BUL	63	63	63	1	1.220
GAZ080BUL	80	80	63	1	2.220
GAZ100BUL	100	100	80	1	2.220
GAZ125BUL	125	125	100	1	2.220

FOUR-POLE.  
With red/yellow handle.

GAZ016T4UL	16	16	16	1	0.550
GAZ032T4UL	32	32	25	1	0.550
GAZ063T4UL	63	63	63	1	1.150
GAZ100T4UL	100	100	80	1	2.500
GAZ125T4UL	125	125	100	1	2.500

FOUR-POLE.  
With black handle.

GAZ016T4BUL	16	16	16	1	0.550
GAZ032T4BUL	32	32	25	1	0.550
GAZ063T4BUL	63	63	63	1	1.150
GAZ100T4BUL	100	100	80	1	2.500
GAZ125T4BUL	125	125	100	1	2.500

① Extension shaft GAX7150 to be cut at 114mm/4.49" of total length.

## Components

Enclosure	Switch disconnector	Handle standard supplied with GAZ...
-----------	---------------------	--------------------------------------

GAZ1UL	GA016A	GAX61
GAZ1UL	GA025A	GAX61
GAZ1UL	GA032A	GAX61
GAZ1UL	GA040A	GAX61
GAZ2UL	GA063SA	GAX61
M3NUL+GAX7150 ①	GA063A	GAX61
M3NUL+GAX7150 ①	GA080A	GAX61
M3NUL+GAX7150 ①	GA100A	GAX61
M3NUL+GAX7150 ①	GA125A	GAX61

GAZ1BUL	GA016A	GAX61B
GAZ1BUL	GA025A	GAX61B
GAZ1BUL	GA032A	GAX61B
GAZ1BUL	GA040A	GAX61B
GAZ2BUL	GA063SA	GAX61B
M3NUL+GAX7150 ①	GA063A	GAX61B
M3NUL+GAX7150 ①	GA080A	GAX61B
M3NUL+GAX7150 ①	GA100A	GAX61B
M3NUL+GAX7150 ①	GA125A	GAX61B

Enclosure	Switch disconnector	4th pole	Handle standard supplied with GAZ...
GAZ1UL	GA016A	GAX42040A	GAX61
GAZ1UL	GA032A	GAX42040A	GAX61
M3NUL+GAX7150 ①	GA063A	GAX42063A	GAX61
M3NUL+GAX7150 ①	GA100A	GAX42100A	GAX61
M3NUL+GAX7150 ①	GA125A	GAX42125A	GAX61

GAZ1BUL	GA016A	GAX42040A	GAX61B
GAZ1BUL	GA032A	GAX42040A	GAX61B
M3NUL+GAX7150 ①	GA063A	GAX42063A	GAX61B
M3NUL+GAX7150 ①	GA100A	GAX42100A	GAX61B
M3NUL+GAX7150 ①	GA125A	GAX42125A	GAX61B

## General characteristics

- Enclosure material: polycarbonate
- For four-pole types not indicated, separately purchase corresponding fourth pole GAX4...A and install on enclosed 3-pole UL-suffix version
- Possible accessories to mount afterwards, if any required:
  - GAX30 to provide shielded cable connection continuity (e.g. with static converters)
  - GAZ016...GAZ040...: 1 contact block both on the right and left disconnector side unless 4th pole is installed
  - Other types: 2 contact blocks both on the right and left disconnector side unless 4th pole is installed
- Padlockable handles
- Sealable cover
- Tightening torque for cover screws:
  - GAZ016...GAZ040...UL: 1.3Nm/16lb.in
  - Other types: 1.5Nm/13lb.in
- Degree of protection: IP65; UL/CSA Type 4/4X
- Cable entry:
  - GAZ016...GAZ040...UL types: PG16/M25 and PG13.5/M20 knockouts
  - GAZ063SA...UL types: PG16/M25 and PG29/M32 knockouts
  - GAZ063...GAZ125...UL types: smooth surfaces; can be drilled by customer.

## Certifications and compliance

Certifications obtained: cULus for GAZ016... GAZ125...UL, GAZ1...UL and GAZ2...UL types; EAC for all.  
Compliant with standards: IEC/EN/BS 60947-3, IEC/EN/BS 60947-1, UL60947-4-1 and CSA C22.2 n°60947-4-1 (up to GAZ063SA...), UL98 and CSA C22.2 n°4 (for all others).

# 14 Switch disconnectors

GA series 16A to 160A.

Manual changeover switches in plastic enclosure

## Manual changeover switches in plastic enclosure UL/CSA Type 4/4X



GAZ025E...GAZ063SAE...



GAZ080E...  
GAZ160E...

Order code	IEC conventional free air thermal current Ith		IEC rated operational current Ie		Qty per pkg	Wt [kg]
	AC21A (≤690V)	AC23B (≤400V)	AC23B (≤500V)	AC23B (≤500V)		
	[A]	[A]	[A]	[A]	n°	[kg]

3-pole line changeover switches I-0-II. Black handle.

<b>GAZ025ET6</b>	25	25	25	1	1.060
<b>GAZ040ET6</b>	40	40	25	1	1.060
<b>GAZ063SAET6</b>	63	45	25	1	1.070
<b>GAZ080ET6</b>	80	80	63	1	2.950
<b>GAZ125ET6</b>	125	125	100	1	2.950
<b>GAZ160ET6</b>	160	125	100	1	2.950

4-pole line changeover switches I-0-II. Black handle.

<b>GAZ025ET8</b>	25	25	25	1	1.060
<b>GAZ040ET8</b>	40	40	25	1	1.060
<b>GAZ063SAET8</b>	63	45	25	1	1.070
<b>GAZ080ET8</b>	80	80	63	1	2.950
<b>GAZ125ET8</b>	125	125	100	1	2.950
<b>GAZ160ET8</b>	160	125	100	1	2.950

### UL/CSA ratings

Type	1 phase [HP]		3 phase [HP]				General use at 600VAC [A]	Short-circuit rating at 600VAC [kA]	Fuse class - max rating at 600V Type - [A]
	120V	240V	200-208V	240V	480V	600V			
GAZ016...	1	2	5	5	10	10	16	5	RK5 - 20A
GAZ025...	1½	3	7½	7½	15	20	25	5	RK5 - 30A
GAZ032...	2	5	10	10	20	20	32	5	RK5 - 35A
GAZ040...	2	5	10	15	20	25	40	5	RK5 - 45A
GAZ063S...	2	7½	10	15	30	30	60	5	RK5 - 45A

NOTE: Above ratings are valid for GAZ016 - GAZ063S...UL types, according to UL508 and CSA 22.2 n°14.

Type	1 phase [HP]		3 phase [HP]				General use at 600VAC [A]	Short-circuit rating at 600VAC [kA]	Fuse class - max rating at 600V Type - [A]
	120V	240V	200-208V <sup>Ⓜ</sup>	240V	480V	600V			
GAZ063C...	3	7½	20	20	40	40	60	10	100
GAZ080...	3	10	25	25	40	40	100	10	100
GAZ100...	5	10	30	30	50	50	100	10	100
GAZ125...	7½	10	30	30	60	60	100	10	100

NOTE: Above ratings are valid for GAZ063C - GAZ125... types, according to UL98 and CSA C22.2 n°4.

Ⓜ Lower ratings in this same UL/CSA category are available on specific request for volume orders.

For information, consult Technical support; see contact details on inside front cover.

Ⓜ Voltage value not considered in UL98 / CSA 22.2 n°4 standards.

### Components

Enclosure	Switch disconnectors	Mechanical interlock	Handle
M25N+GAX7090	2xGA025A	GAX5000	GAX67B
M25N+GAX7090	2xGA040A	GAX5000	GAX67B
M25N+GAX7090	2xGA063SA	GAX5000	GAX67B
M3NUL+GAX7090	2xGA080A	GAX5001	GAX67B
M3NUL+GAX7090	2xGA125A	GAX5001	GAX67B
M3NUL+GAX7090	2xGA160A	GAX5001	GAX67B
Enclosure	Switch disconnectors	Mechanical interlock	Handle
M25N+GAX7090	2xGA025A + 2xGAX42040A	GAX5000	GAX67B
M25N+GAX7090	2xGA040A + 2xGAX42040A	GAX5000	GAX67B
M25N+GAX7090	2xGA063SA + 2xGAX42063SA	GAX5000	GAX67B
M3NUL+GAX7090	2xGA080A + 2xGAX42080A	GAX5001	GAX67B
M3NUL+GAX7090	2xGA125A + 2xGAX42125A	GAX5001	GAX67B
M3NUL+GAX7090	2xGA160A + 2xGAX42160A	GAX5001	GAX67B

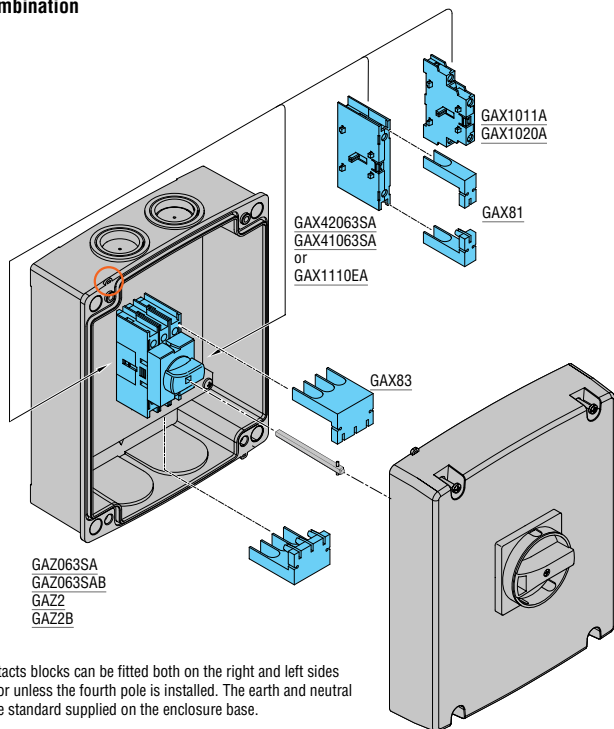
### General characteristics

- Enclosure material: polycarbonate
- Possibility of fitting:
  - 2 contact blocks both on the right and left side for GAZ...ET6 types
  - 1 contact block both on the right and left side for GAZ...ET8 types
- Padlockable handle complete with extension
- Earth and neutral plate terminals
- Sealable enclosure cover
- Tightening torque for cover screws: 1.5Nm/13lb.in
- Degree of protection: IP65; UL/CSA Type 4/4X
- Cable entry:
  - GAZ025...GAZ063SA... types: PG16/M25 and PG29/M32 knockouts
  - GAZ080... and GAZ160... types: smooth surfaces; can be drilled by customer.

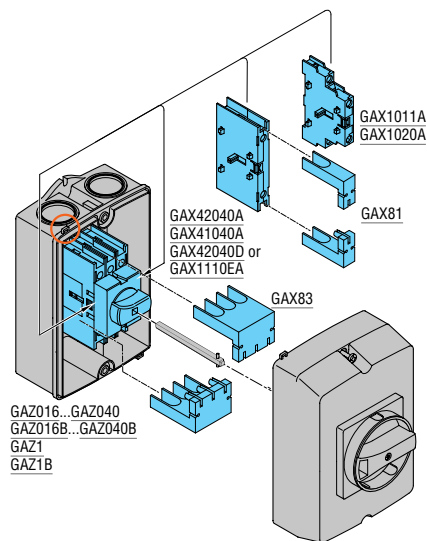
### Certifications and compliance

Certifications obtained: cULus (except GAZ160E...), EAC. Compliant with standards: IEC/EN/BS 60947-3, IEC/EN/BS 60947-1, UL60947-4-1 and CSA C22.2 n°60947-4-1 (up to GAZ063SA...), UL98 and CSA C22.2 n°4 (for all others except GAZ160E...).

### Maximum combination Enclosures

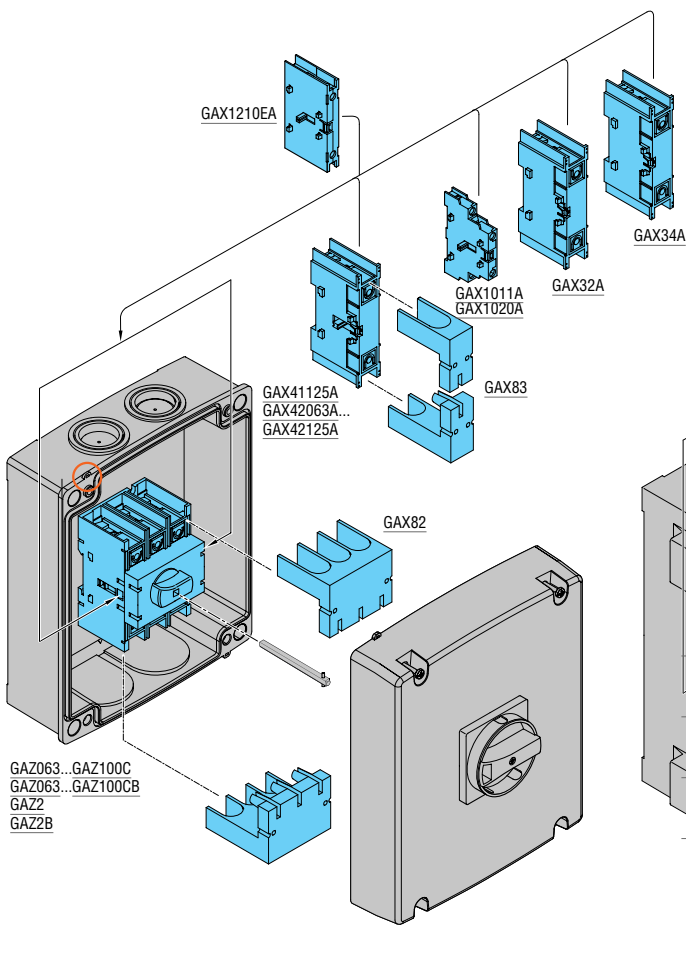
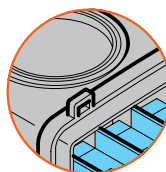


Two auxiliary contacts blocks can be fitted both on the right and left sides of the disconnector unless the fourth pole is installed. The earth and neutral plate terminals are standard supplied on the enclosure base.

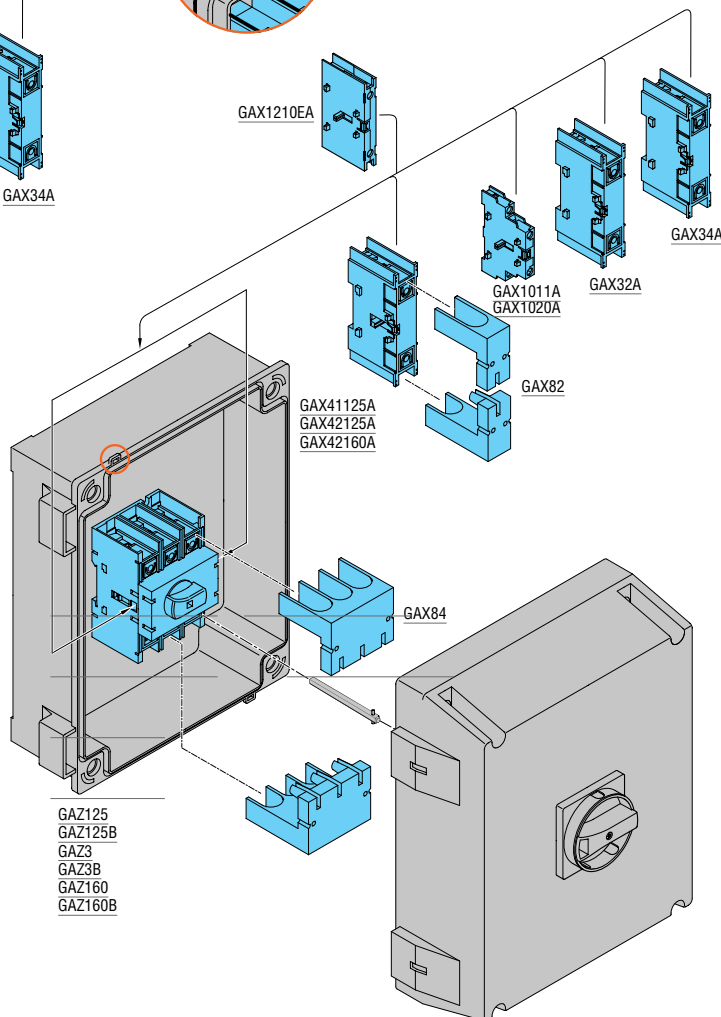


One auxiliary contact block can be fitted on the right and left sides of the disconnector unless the fourth pole is installed. The earth and neutral plate terminals are standard supplied on the enclosure base.

### Sealing eyelet



GAZ063...GAZ100C  
GAZ063...GAZ100CB  
GAZ2  
GAZ2B



Two auxiliary contact blocks can be fitted both on the right and left sides of the disconnector unless the fourth pole is installed. Earth and neutral plate terminals are standard supplied on the box base. If any earth/ground and/or neutral terminals are required, type GAX3..., purchase separately.

# 14 Switch disconnectors

GA series 16A to 160A.

Switch disconnectors in metal enclosure

## Switch disconnectors in metal enclosure IEC/EN/BS IP65



GAZM016...GAZM100...



GAZM016...B...GAZM100...B



GAZM125...GAZM160...



GAZM125...B...GAZM160...B

Order code	IEC conventional thermal current I <sub>th</sub> AC21A (≤690V)	IEC rated operational current I <sub>e</sub> AC23B (≤400V)	IEC rated operational current I <sub>e</sub> AC23B (≤500V)	Qty per pkg	Wt [kg]
	[A]	[A]	[A]	n°	[kg]

THREE-POLE.  
With red/yellow handle.

GAZM016	16	16	16	1	2.150
GAZM025	25	25	25	1	2.150
GAZM032	32	32	25	1	2.150
GAZM040	40	40	25	1	2.150
GAZM063SA	63	45	25	1	2.150
GAZM063	63	63	63	1	2.380
GAZM080	80	80	63	1	2.380
GAZM100	100	100	80	1	2.380
GAZM125	125	125	100	1	3.550
GAZM160	160	125	100	1	3.550

THREE-POLE.  
With black handle.

GAZM016B	16	16	16	1	2.150
GAZM025B	25	25	25	1	2.150
GAZM032B	32	32	25	1	2.150
GAZM040B	40	40	25	1	2.150
GAZM063SAB	63	45	25	1	2.150
GAZM063B	63	63	63	1	2.380
GAZM080B	80	80	63	1	2.380
GAZM100B	100	100	80	1	2.380
GAZM125B	125	125	100	1	3.550
GAZM160B	160	125	100	1	3.550

FOUR-POLE.  
With red/yellow handle.

GAZM016T4	16	16	16	1	2.195
GAZM032T4	32	32	25	1	2.195
GAZM040T4	40	40	25	1	2.195
GAZM063SAT4	63	45	25	1	2.195
GAZM063T4	63	63	63	1	2.506
GAZM100T4	100	100	80	1	2.506
GAZM125T4	125	125	100	1	3.676
GAZM160T4	160	125	100	1	3.676

FOUR-POLE.  
With black handle.

GAZM016T4B	16	16	16	1	2.195
GAZM032T4B	32	32	25	1	2.195
GAZM040T4B	40	40	25	1	2.195
GAZM063SAT4B	63	45	25	1	2.195
GAZM063T4B	63	63	63	1	2.506
GAZM100T4B	100	100	80	1	2.506
GAZM125T4B	125	125	100	1	3.676
GAZM160T4B	160	125	100	1	3.676

### Components

Enclosure	Switch disconnector	Handle
-----------	---------------------	--------

GAZM1	GA016A	GAX61
GAZM1	GA025A	GAX61
GAZM1	GA032A	GAX61
GAZM1	GA040A	GAX61
GAZM1	GA063SA	GAX61
GAZM1	GA063A	GAX61
GAZM1	GA080A	GAX61
GAZM1	GA100A	GAX61
GAZM2	GA125A	GAX61
GAZM2	GA160A	GAX61

GAZM1	GA016A	GAX61B
GAZM1	GA025A	GAX61B
GAZM1	GA032A	GAX61B
GAZM1	GA040A	GAX61B
GAZM1	GA063SA	GAX61B
GAZM1	GA063A	GAX61B
GAZM1	GA080A	GAX61B
GAZM1	GA100A	GAX61B
GAZM2	GA125A	GAX61B
GAZM2	GA160A	GAX61B

Enclosure	Switch disconnector	4th pole	Handle
GAZM1	GA016A	GAX42040A	GAX61
GAZM1	GA032A	GAX42040A	GAX61
GAZM1	GA040A	GAX42040A	GAX61
GAZM1	GA063SA	GAX42063SA	GAX61
GAZM1	GA063A	GAX42063A	GAX61
GAZM1	GA100A	GAX42100A	GAX61
GAZM2	GA125A	GAX42125A	GAX61
GAZM2	GA160A	GAX42160A	GAX61

GAZM1	GA016A	GAX42040A	GAX61B
GAZM1	GA032A	GAX42040A	GAX61B
GAZM1	GA040A	GAX42040A	GAX61B
GAZM1	GA063SA	GAX42063SA	GAX61B
GAZM1	GA063A	GAX42063A	GAX61B
GAZM1	GA100A	GAX42100A	GAX61B
GAZM2	GA125A	GAX42125A	GAX61B
GAZM2	GA160A	GAX42160A	GAX61B

① Extension shaft GAX7... cut to a specific length has to be added; for more details contact our Technical support; see contact details on inside front cover.

### General characteristics

- Enclosure material: painted sheet steel
- Padlockable handle
- Front door closing with screws
- Degree of protection: IP65
- Cable entry: smooth surfaces; can be drilled by customer.

### Certifications and compliance

Compliant with standards: IEC/EN/BS 60947-3, IEC/EN/BS 60947-1.

# 14 Switch disconnectors

GA series 16A to 160A.

In metal and stainless steel AISI 304 enclosure



INDEX

## Manual changeover switches in metal enclosure IEC/EN/BS IP65



GAZM080ET...GAZM160ET...

Order code	IEC conventional thermal current Ith AC21A (≤690V)		IEC rated operational current Ie AC23B (≤400V) AC23B (≤500V)		Qty per pkg	Wt [kg]
	[A]	[A]	[A]	[A]		
3-pole line changeover switches I-0-II. Black handle.						
<b>GAZM025ET6</b>	25	25	25	1	1.983	
<b>GAZM040ET6</b>	40	40	25	1	1.983	
<b>GAZM063SAET6</b>	63	45	25	1	1.983	
<b>GAZM080ET6</b>	80	80	63	1	3.156	
<b>GAZM125ET6</b>	125	125	100	1	3.156	
<b>GAZM160ET6</b>	160	125	100	1	3.156	
4-pole line changeover switches I-0-II. Black handle.						
<b>GAZM025ET8</b>	25	25	25	1	2.100	
<b>GAZM040ET8</b>	40	40	25	1	2.100	
<b>GAZM063SAET8</b>	63	45	25	1	2.100	
<b>GAZM080ET8</b>	80	80	63	1	5.953	
<b>GAZM125ET8</b>	125	125	100	1	5.953	
<b>GAZM160ET8</b>	160	125	100	1	5.953	

### Components

Enclosure	Switches disconnectors	Mechanical interlock	Handle
GAZM1	2 x GA025A	GAX5000	GAX67B
GAZM1	2 x GA040A	GAX5000	GAX67B
GAZM1	2 x GA063SA	GAX5000	GAX67B
GAZM2	2 x GA080A	GAX5001	GAX67B
GAZM2	2 x GA125A	GAX5001	GAX67B
GAZM2	2 x GA160A	GAX5001	GAX67B
GAZM1	2 x GA025A + 2 x GAX42040A	GAX5000	GAX67B
GAZM1	2 x GA040A + 2 x GAX42040A	GAX5000	GAX67B
GAZM1	2 x GA063SA + 2 x GAX42063SA	GAX5000	GAX67B
GAZM3	2 x GA080A + 2 x GAX42080A	GAX5001	GAX67B
GAZM3	2 x GA125A + 2 x GAX42125A	GAX5001	GAX67B
GAZM3	2 x GA160A + 2 x GAX42160A	GAX5001	GAX67B

### General characteristics

- Enclosure material: painted sheet steel
- Padlockable handle
- Front door closing with screws and hinges on the right side of the enclosure (GAZM080ET8...GAZM160ET8...)
- Degree of protection: IP65
- Cable entry: smooth surfaces; can be drilled by customer.

### Certifications and compliance

Compliant with standards: IEC/EN/BS 60947-3, IEC/EN/BS 60947-1.

## Switch disconnectors in stainless steel AISI 304 enclosure IEC/EN/BS IP65



GAZS016...GAZS100...

Order code	IEC conventional thermal current Ith AC21A (≤690V)		IEC rated operational current Ie AC23B (≤400V) AC23B (≤500V)		Qty per pkg	Wt [kg]
	[A]	[A]	[A]	[A]		
THREE-POLE. With red/yellow handle.						
<b>GAZS016</b>	16	16	16	1	2.150	
<b>GAZS025</b>	25	25	25	1	2.150	
<b>GAZS032</b>	32	32	25	1	2.150	
<b>GAZS040</b>	40	40	25	1	2.150	
<b>GAZS063SA</b>	63	45	25	1	2.150	
<b>GAZS063</b>	63	63	63	1	2.380	
<b>GAZS100</b>	100	100	80	1	2.380	
THREE-POLE. With black handle.						
<b>GAZS016B</b>	16	16	16	1	2.150	
<b>GAZS025B</b>	25	25	25	1	2.150	
<b>GAZS032B</b>	32	32	25	1	2.150	
<b>GAZS040B</b>	40	40	25	1	2.150	
<b>GAZS063SAB</b>	63	45	25	1	2.150	
<b>GAZS063B</b>	63	63	63	1	2.380	
<b>GAZS100B</b>	100	100	80	1	2.380	

① Extension shaft GAX7... cut to a specific length has to be added; for more details contact our Technical support, see contact details on inside front cover.

### Components

Enclosure	Switch disconnector	Handle
GAZS1	GA016A	GAX61
GAZS1	GA025A	GAX61
GAZS1	GA032A	GAX61
GAZS1	GA040A	GAX61
GAZS1	GA063SA	GAX61
GAZS1	GA063A	GAX61
GAZS1	GA100A	GAX61

GAZS1	GA016A	GAX61B
GAZS1	GA025A	GAX61B
GAZS1	GA032A	GAX61B
GAZS1	GA040A	GAX61B
GAZS1	GA063SA	GAX61B
GAZS1	GA063A	GAX61B
GAZS1	GA100A	GAX61B

### General characteristics

- Enclosure material: AISI 304 stainless steel
- Padlockable handle
- Front door closing with screws
- Degree of protection: IP65
- Cable entry: smooth surfaces; can be drilled by customer
- For four-pole versions add the corresponding GAX42...A fourth pole to the switch disconnector.

### Certifications and compliance

Compliant with standards: IEC/EN/BS 60947-3, IEC/EN/BS 60947-1.

# 14 Switch disconnectors

GA series 16A to 160A.  
Empty metal enclosures

## Empty metal enclosures IEC/EN/BS IP65



**GAZM1**



**GAZM2**



**GAZM3**



**GAZS1**

Order code	Enclosure dimensions	Qty per pkg	Wt
	[mm (in)]	n°	[kg]

For switch disconnectors.  
Painted sheet steel enclosures.

<b>GAZM1</b>	150x200x120 (5.90x7.87x4.72)	1	1.680
<b>GAZM2</b>	200x300x120 (7.87x11.81x4.72)	1	3.000
<b>GAZM3</b>	300x400x120 (11.8x15.75x4.72)	1	4.900

AISI 304 stainless steel enclosures.

<b>GAZS1</b>	150x200x120 (5.90x7.87x4.72)	1	1.900
--------------	---------------------------------	---	-------

### General characteristics

- Painted sheet steel enclosures for GAZM...
- AISI 304 stainless steel enclosures for GAZS1
- Front door closing with screws for GAZM1, GAZM2 and GAZS1
- Front door closing with screws and hinges on the right side of the enclosures for GAZM3
- Drilled cover for handle assembly
- Factory mounted 35mm DIN rail on the base
- Ground terminal included
- Degree of protection: IP65
- Cable entry: smooth surfaces; can be drilled by customer
- For compatible components see pages 12-27 and 28.

### Compliance

Compliant with standards: IEC/EN/BS 60947-1.

# SWITCH DISCONNECTORS



**COMPACT SIZE**

The three-pole switch disconnectors are made up of a body with compact dimensions: 162mm/6.38" wide up to 315A, 203mm/7.99" from 320A to 500A, 231mm/9.09" for 630A, 284mm/11.18" from 630A to 800A and 314mm/12.36" for 1000A.

**EASY INSTALLATION ON DIN RAIL**

The switch disconnectors can be mounted on a DIN rail (for sizes from 160A to 315A) or on a plate by screw fixing.

**UL98 VERSION**

Switch disconnectors are listed for USA and Canada, certified according to UL98/CSA C22.2 n° 4. General use current: 100-200-400-600-800A.



**ANTI-SLIDE INSERT FOR DIN RAIL**

For sizes from 160A to 315A there are two rubber pad inserts that prevent the sliding of the switch disconnectors on the DIN rail.



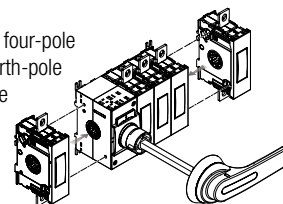
**FLEXIBLE INSTALLATION ORIENTATION**

Switch disconnectors can be installed in all directions. The clips for screw fixing can be adjusted both in rotation and position (flexible fixing).



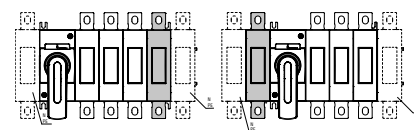
**FOUR-POLE VERSION AVAILABLE**

Switch disconnectors are supplied with three-pole configuration. To realise the four-pole version, a fourth-pole add-on can be purchased.



**COMPONENT FLEXIBILITY**

It is possible to mount the fourth pole, neutral and earth/ground terminals on both sides of the switch disconnectors using 2 screws.



# MANUAL CHANGE OVER SWITCHES



**COMPACT SIZE**

Manual changeover switches are made up of a body with compact dimensions:  
 - 185mm/7.28" wide for three-pole versions up to 315A, 237mm/9.33" from 320A to 500A, 263mm/10.35" for 630A, 340mm/13.39" from 631A to 800A and 370mm/14.67" for 1000A;  
 - 220mm/8.66" wide for the four-pole versions up to 315A, 281mm/11.06" from 320A to 500A, 317mm/12.48" for 630A, 405mm/15.94" from 631A to 800A and 445mm/17.52" for 1000A.

**EASY INSTALLATION**

The manual changeover switches can be mounted on a plate by screws.

**UL1008 VERSION**

The manual changeover switches are listed for USA and Canada, certified according to UL1008/CSA C22.2 n° 178. General use current: 100-200-400A.



**THREE AND FOUR-POLE VERSION**

Manual changeover switches are already supplied assembled in three-pole and four-pole configuration.

# MOTORED CHANGE OVER SWITCHES

**COMPACT SIZE**

Motorised changeover switches are made up of a body with compact dimensions: 294mm/11.57" wide for three-pole versions and 328mm/12.91" wide for the four-pole versions.

**FUNCTIONING LOGIC**

Motor command is possible in 2 different ways:  
 - Impulse logic: the changeover switch moves to a specific position after receiving an impulse on the command inputs I-O-II.  
 - Contactor logic: the changeover switch moves to a specific position (I or II) and it remains in that position as long as the command is held. If the command I or II is removed, the switch returns to the position 0 (the auxiliary power supply must be available).

**EXPANDABILITY**

It is possible to add further additional relay outputs or a Modbus-RTU RS485 communication port by the means of the expansion slot integrated in the motorized changeover switch.

**THREE AND FOUR-POLE VERSION**

Motorised changeover switches are already supplied assembled in three-pole and four-pole configuration.

**WIDE RANGE OF MOTOR SUPPLY VOLTAGE**

3 motor supply voltages are available:  
 - 24VDC (19.2...31.2VDC);  
 - 110...125VAC/DC (77...165VAC/DC);  
 - 208...277VAC (166...332VAC).



**UL1008 VERSION**

The motorised changeover switches are listed for USA and Canada, certified according to UL1008/CSA C22.2 n° 178. General use current: 100-200A.



● **WIDE RANGE OF ACCESSORIES**

A wide choice of auxiliary contacts, terminal covers, phase barriers, terminal clamps, bridging bars, shafts and handles are available to satisfy every installation need.

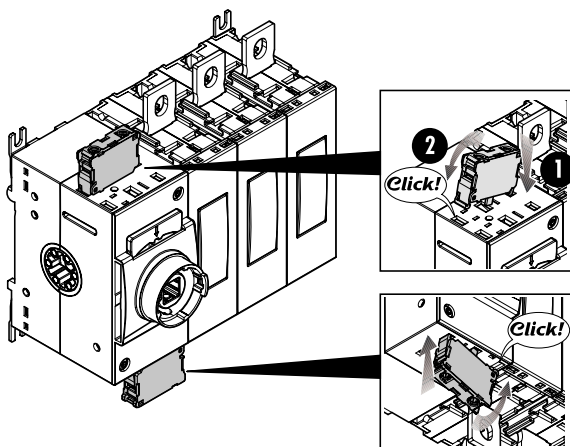


● **HIGH IEC ELECTRICAL CAPABILITY**

The rated currents in AC23A up to 1000A-415V and 800A-690V are the highest of the category.

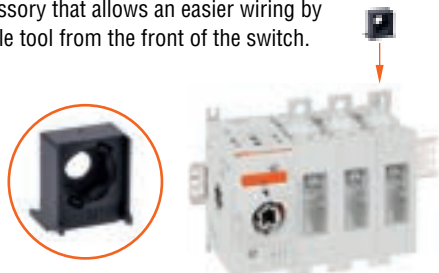
● **ADD-ON AUXILIARY CONTACTS**

The same add-on block is suitable for all the switch disconnectors and changeover switches. Contacts are mounted on main switching actuator (max 8 contacts for switch disconnectors; max 4 contacts for changeover switches).



● **CAPTIVE NUT**

It is an accessory that allows an easier wiring by using a single tool from the front of the switch.



● **VISIBLE CONTACTS: MAXIMUM SECURITY!**

Thanks to the window on the individual power poles the open or closed switch status is clearly visible at a distance.



● **UL508A DEFEATABLE HANDLE**

In compliance with UL508A standards, which require internal panel inspection by authorized personnel with power applied, pistol handles are available with defeatable feature of the door coupling when the switch disconnector or the changeover switch is closed, i.e. in ON position.

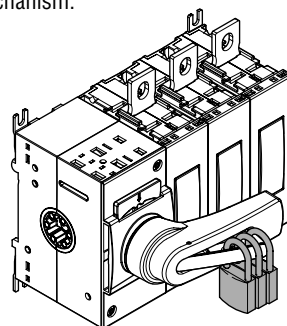
● **IP66, IP69K AND NEMA 4X HANDLES**

A wide range of screw fixing pistol grip handles are available with the maximum degree of protection on the market.



● **PADLOCKABLE HANDLES**

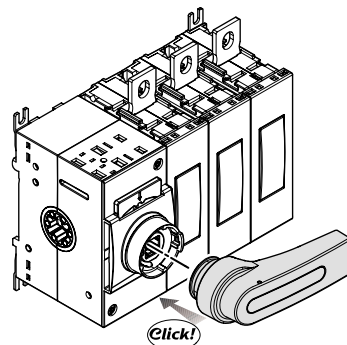
All direct and door coupling handles are equipped with integrated padlock mechanism.



● **HANDLES**

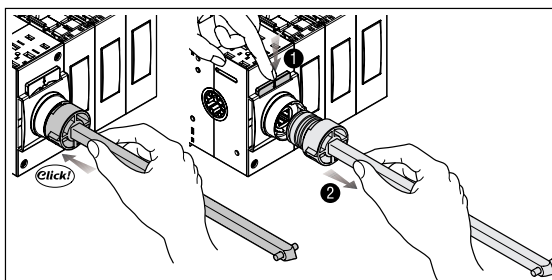
Switch disconnectors and changeover switches are standard supplied without any handles. By purchasing the direct operating handle separately it is possible to create a direct operating version. The handles can be mounted and removed very easily thanks to the snap-on assembly.

By purchasing a shaft extension and a door coupling handle separately it is possible to create the door coupling version.



● **SNAP-ON SHAFT MOUNTING**

Shafts can be mounted and removed very easily by snapping on the front of the switch. This feature allows fast installation and easy accessibility to the panel in case of maintenance.



### Three-pole switch disconnectors IEC/EN/BS



GL0160C1...GL0315C1



GL0320C1...GL0500C1



GL0631C1...GL0800C1

**new**

Order code	IEC conventional free air thermal current Ith	IEC rated operational current Ie		Qty per pkg	Wt
	AC21A (≤690V)	AC23A (≤415V)	AC23A (≤690V)		
	[A]	[A]	[A]	n°	[kg]

Supplied without handle.  
Complete the switch disconnector by selecting shaft extension and handle for door coupling version or the handle for direct operating version.

<b>GL0160C1</b>	160	160	160	1	1.740
<b>GL0200C1</b>	200	200	200	1	1.740
<b>GL0250C1</b>	250	250	250	1	1.740
<b>GL0315C1</b>	315	315	250	1	1.740
<b>GL0320C1</b>	320	320	320	1	3.460
<b>GL0400C1</b>	400	400	400	1	3.460
<b>GL0500C1</b>	500	500	500	1	3.460
<b>GL0630C1</b>	630	630	500	1	3.780
<b>GL0631C1</b>	630	630	630	1	7.450
<b>GL0800C1</b>	800	800	800	1	7.450
<b>GL1000C1</b>	1000	1000	800	1	7.950

### General characteristics

- 160 to 1000A AC23 versions
- 100A, 200A, 400A, 600A and 800A general purpose according to UL98
- Compact dimensions and add-on fourth-pole
- Screw or 35mm DIN rail fixing to 315A. Only on a plate from 320A to 1000A
- Possibility to adjust the position of the clips for screw fixing on plate
- Visible contacts
- Maximum number of power poles: 4.

### Operational characteristics

- Rated insulation voltage Ui: 1,000V
- Rated impulse withstand Uimp: 12kV
- Mechanical life:
  - 20,000 cycles from 160A to 315A
  - 10,000 cycles from 320A to 630A
  - 5,000 cycles from 630A (GL0631...) to 1,000A.

### Certifications and compliance

Certifications obtained: cULus according to UL98 / CSA C22.2 n°4 for GL...UL and GLX42...UL types.  
Compliant with standards: IEC/EN/BS 60947-3, IEC/EN/BS 60947-1.

### Three-pole switch disconnectors UL98

## cULus



GL...C1UL

**new**

Order code	General purpose current	Max. 3-phase horsepower rating	Qty per pkg	Wt
	[A]	[HP/V]		
	[A]	[HP/V]	n°	[kg]

Supplied without handle.  
Complete the switch disconnector by selecting shaft extension and handle for door coupling version or the handle for direct operating version.

<b>GL0100C1UL</b>	100	30/240 75/480 100/600	1	1.900
<b>GL0200C1UL</b>	200	75/240 150/480 200/600	1	1.900
<b>GL0400C1UL</b>	400	125/240 250/480 350/600	1	3.780
<b>GL0600C1UL</b>	600	200/240 450/480 500/600	1	7.450
<b>GL0800C1UL</b>	800	250/240 500/480 500/600	1	7.950

# 14 Switch disconnectors

GL series 100A to 1000A

## Add-on fourth pole IEC/EN/BS



GLX420315 GLX420500 GLX420630



GLX420631...800 GLX421000

**new**

Order code	IEC conventional free air thermal current Ith		Qty per pkg	Wt [kg]
	AC21A (≤690V)	AC23A (≤400V)		
	[A]	[A]	n°	[kg]

Simultaneous closing operation as switch disconnector poles. For switch disconnectors GL0160C1...GL0315C1 versions.

<b>GLX420315</b>	315	315	250	1	0.400
------------------	-----	-----	-----	---	-------

For switch disconnectors GL0320C1...GL0630C1 versions.

<b>GLX420320</b>	320	320	320	1	0.900
------------------	-----	-----	-----	---	-------

<b>GLX420400</b>	400	400	400	1	0.900
------------------	-----	-----	-----	---	-------

<b>GLX420500</b>	500	500	500	1	0.900
------------------	-----	-----	-----	---	-------

<b>GLX420630</b>	630	630	500	1	0.900
------------------	-----	-----	-----	---	-------

For switch disconnectors GL0631C1...GL1000C1 versions.

<b>GLX420631</b>	630	630	630	1	1.860
------------------	-----	-----	-----	---	-------

<b>GLX420800</b>	800	800	800	1	1.860
------------------	-----	-----	-----	---	-------

<b>GLX421000</b>	1000	1000	800	1	1.860
------------------	------	------	-----	---	-------

### General characteristics

- 160 to 1000A AC23 versions
- 100A, 200A, 400A, 600A and 800A general purpose according to UL98
- Compact dimensions and add-on fourth-pole
- Visible contacts
- Maximum number of power poles: 4.

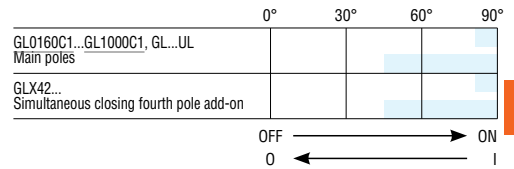
### Operational characteristics

- Rated insulation voltage Ui: 1,000V
- Rated impulse withstand Uimp: 12kV
- Mechanical life:
  - 20,000 cycles from 160A to 315A
  - 10,000 cycles from 320A to 630A
  - 5,000 cycles from 630A (GL0631...) to 1,000A.

### Certifications and compliance

Certifications obtained: cULus according to UL98 / CSA C22.2 n°4 for GL...UL and GLX42...UL types. Compliant with standards: IEC/EN/BS 60947-3, IEC/EN/BS 60947-1.

Strokes of GL poles (main poles and add-on pole)



## Add-on fourth pole UL98

cULus



GLX420200UL GLX420400UL

**new**

Order code	General purpose current	Max. 3-phase horsepower rating	Qty per pkg	Wt [kg]
	[A]	[HP/V]		
	[A]	[HP/V]	n°	[kg]

Simultaneous closing operation as switch disconnector poles. For switch disconnectors GL0100C1UL version.

<b>GLX420100UL</b>	100	30/240 75/480 100/600	1	0.410
--------------------	-----	-----------------------------	---	-------

For switch disconnectors GL0200C1UL version.

<b>GLX420200UL</b>	200	75/240 150/480 200/600	1	0.410
--------------------	-----	------------------------------	---	-------

For switch disconnectors GL0400C1UL version.

<b>GLX420400UL</b>	400	125/240 250/480 350/600	1	0.900
--------------------	-----	-------------------------------	---	-------

For switch disconnectors GL0600C1UL version.

<b>GLX420600UL</b>	600	200/240 450/480 500/600	1	1.860
--------------------	-----	-------------------------------	---	-------

For switch disconnectors GL0800C1UL version.

<b>GLX420800UL</b>	800	250/240 500/480 500/600	1	1.980
--------------------	-----	-------------------------------	---	-------

### Manual three-pole changeover switches IEC/EN/BS



GLC0160C1...GLC0315C1

Order code	IEC conventional free air thermal current Ith AC21A (≤690V)	IEC rated operational current Ie		Qty per pkg	Wt [kg]
		AC33B (≤400V)	AC33B (≤690V)		
	[A]	[A]	[A]	n°	[kg]

Supplied without handle.

<b>GLC0160C1</b>	160	160	160	1	3.550
<b>GLC0200C1</b>	200	200	200	1	3.550
<b>GLC0250C1</b>	250	250	250	1	3.550
<b>GLC0315C1</b>	315	315	250	1	3.550
<b>GLC0320C1</b>	320	320	320	1	7.060
<b>GLC0400C1</b>	400	400	400	1	7.060
<b>GLC0500C1</b>	500	500	500	1	7.060
<b>GLC0630C1</b>	630	630	500	1	7.720
<b>GLC0631C1</b>	630	630	630	1	16.500
<b>GLC0800C1</b>	800	800	800	1	16.500
<b>GLC1000C1</b>	1000	1000	800	1	18.000

new

### Manual four-pole changeover switches IEC/EN/BS



GLC0160T4C1...GLC0315T4C1

Order code	IEC conventional free air thermal current Ith AC21A (≤690V)	IEC rated operational current Ie		Qty per pkg	Wt [kg]
		AC33B (≤400V)	AC33B (≤690V)		
	[A]	[A]	[A]	n°	[kg]

Supplied without handle.

<b>GLC0160T4C1</b>	160	160	160	1	4.330
<b>GLC0200T4C1</b>	200	200	200	1	4.330
<b>GLC0250T4C1</b>	250	250	250	1	4.330
<b>GLC0315T4C1</b>	315	315	250	1	4.330
<b>GLC0320T4C1</b>	320	320	320	1	8.810
<b>GLC0400T4C1</b>	400	400	400	1	8.810
<b>GLC0500T4C1</b>	500	500	500	1	8.810
<b>GLC0630T4C1</b>	630	630	500	1	9.460
<b>GLC0631T4C1</b>	630	630	630	1	18.600
<b>GLC0800T4C1</b>	800	800	800	1	18.600
<b>GLC1000T4C1</b>	1000	1000	800	1	17.800

new

#### General characteristics

- 160 to 1000A AC33 versions
- Screw fixing on plate
- Visible contacts.

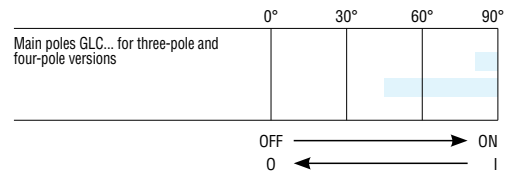
#### Operational characteristics

- Rated insulation voltage Ui: 1.000V
- Rated impulse withstand Uimp: 12kV
- Mechanical life:
  - 20,000 cycles from 160A to 315A
  - 10,000 cycles from 320A to 630A
  - 5,000 cycles from 630A (GLC0631...) to 1000A

#### Certifications and compliance

Compliant with standards: IEC/EN/BS 60947-6-1, IEC/EN/BS 60947-3.

#### Strokes of GLC... poles



### Manual three-pole changeover switches UL1008

**cULus**



**GLC0200C1UL**

Order code	General purpose current	Max. 3-phase horsepower rating	Qty per pkg	Wt
	[A]	[HP/V]	n°	[kg]

Supplied without handle.

<b>GLC0100C1UL</b>	100	30/240 75/480 100/600	1	3.800
<b>GLC0200C1UL</b>	200	75/240 150/480 200/600	1	3.800
<b>GLC0400C1UL</b>	400	125/240 250/480 350/600	1	7.560

#### General characteristics

- 100A, 200A and 400A general purpose according to UL1008
- Screw fixing on plate
- Visible contacts.

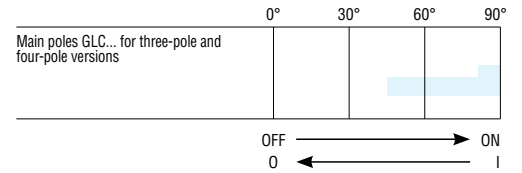
#### Operational characteristics

- Rated insulation voltage  $U_i$ : 1,000V
- Rated impulse withstand  $U_{imp}$ : 12kV

#### Certifications and compliance

Certifications obtained: cULus according to standard UL1008. Compliant with standards: IEC/EN 60947-6-1, IEC/EN 60947-3.

#### Strokes of GLC... poles



### Manual four-pole changeover switches UL1008

**cULus**



**GLC0200T4C1UL**

Order code	General purpose current	Max. 3-phase horsepower rating	Qty per pkg	Wt
	[A]	[HP/V]	n°	[kg]

Supplied without handle.

<b>GLC0100T4C1UL</b>	100	30/240 75/480 100/600	1	4.590
<b>GLC0200T4C1UL</b>	200	75/240 150/480 200/600	1	4.590
<b>GLC0400T4C1UL</b>	400	125/240 250/480 350/600	1	7.680

### Motorised three-pole changeover switches IEC/EN/BS



GLCM0160C1...GLCM0315C1

new

Order code	IEC conventional free air thermal current Ith AC21A (≤690V)	IEC rated operational current Ie		Qty per pkg	Wt [kg]
		AC33B (≤400V)	AC33B (≤690V)		
	[A]	[A]	[A]	n°	[kg]
Rated motor auxiliary supply voltage 24VDC.					
GLCMB0125D024	125	125	125	1	6.350
GLCMB0160D024	160	160	160	1	6.350
GLCMB0200D024	200	200	200	1	6.350
GLCMB0250D024	250	250	250	1	6.350
GLCMB0315D024	315	315	250	1	6.350
Rated motor auxiliary supply voltage 110...125VAC/DC.					
GLCMB0125E110	125	125	125	1	6.350
GLCMB0160E110	160	160	160	1	6.350
GLCMB0200E110	200	200	200	1	6.350
GLCMB0250E110	250	250	250	1	6.350
GLCMB0315E110	315	315	250	1	6.350
Rated motor auxiliary supply voltage 208...277VAC.					
GLCMB0125A230	125	125	125	1	6.350
GLCMB0160A230	160	160	160	1	6.350
GLCMB0200A230	200	200	200	1	6.350
GLCMB0250A230	250	250	250	1	6.350
GLCMB0315A230	315	315	250	1	6.350

### Motorised four-pole changeover switches IEC/EN/BS



GLCM0160T4C1...GLCM0315T4C1

new

Order code	IEC conventional free air thermal current Ith AC21A (≤690V)	IEC rated operational current Ie		Qty per pkg	Wt [kg]
		AC33B (≤400V)	AC33B (≤690V)		
	[A]	[A]	[A]	n°	[kg]
Rated motor auxiliary supply voltage 24VDC.					
GLCMB0125T4D024	125	125	125	1	7.130
GLCMB0160T4D024	160	160	160	1	7.130
GLCMB0200T4D024	200	200	200	1	7.130
GLCMB0250T4D024	250	250	250	1	7.130
GLCMB0315T4D024	315	315	250	1	7.130
Rated motor auxiliary supply voltage 110...125VAC/DC.					
GLCMB0125T4E110	125	125	125	1	7.130
GLCMB0160T4E110	160	160	160	1	7.130
GLCMB0200T4E110	200	200	200	1	7.130
GLCMB0250T4E110	250	250	250	1	7.130
GLCMB0315T4E110	315	315	250	1	7.130
Rated motor auxiliary supply voltage 208...277VAC.					
GLCMB0125T4A230	125	125	125	1	7.130
GLCMB0160T4A230	160	160	160	1	7.130
GLCMB0200T4A230	200	200	200	1	7.130
GLCMB0250T4A230	250	250	250	1	7.130
GLCMB0315T4A230	315	315	250	1	7.130

Order code	Description
EXPANSION MODULES	
Outputs.	
EXP1003	2C/O relay outputs 5A 250VAC
EXP1006	2NO relay outputs 5A 250VAC
Communication port.	
EXP1012	Opto-isolated RS485 interface



EXP10...

#### General characteristics

- 125 to 315A AC33 versions
- Screw fixing on plate
- Visible contacts
- Open transition (I – 0 – II positions)
- Electrically or manually operated
- Direct handle for manual operation supplied as standard, padlockable to prevent electrical operations
- Terminal blocks with removable screws fixing for power supply and switch control to ensure connection stability
- Expandable with EXP... expansion modules:
  - EXP1003: 2C/O relay outputs 5A 250VAC
  - EXP1006: 2NO relay outputs 5A 250VAC
  - EXP1012: RS485 communication port, Modbus-RTU.

#### EXP series expansion modules

See section 35.

#### Operational characteristics

- Rated insulation voltage Ui: 1,000V
- Rated impulse withstand Uimp: 12kV
- Mechanical life: 20,000 cycles.

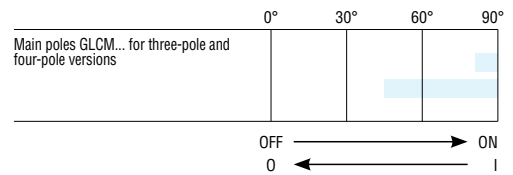
#### Rated motor auxiliary supply voltage

- 24VDC (19.2...31.2VDC) for GLCM...D024:
- 110...125VAC/DC (77...165VAC/DC) for GLCM...E110;
- 208...277VAC (166...332VAC) for GLCM...A230.

#### Certifications and compliance

Compliant with standards: IEC/EN/BS 60947-6-1, IEC/EN/BS 60947-3.

#### Strokes of GLCM... power poles



### Motorised three-pole changeover switches UL1008

#### cULus



new



GLCM0200C1UL

Order code	General purpose current [A]	Max. 3-phase horsepower rating [HP/V]	Qty per pkg n°	Wt [kg]
Rated motor auxiliary supply voltage 24VDC.				
GLCMB0100D024UL	100	30/240 75/480 100/600	1	6.600
GLCMB0200D024UL	200	75/240 150/480 200/600	1	6.600
Rated motor auxiliary supply voltage 110...125VAC/DC.				
GLCMB0100E110UL	100	30/240 75/480 100/600	1	6.600
GLCMB0200E110UL	200	75/240 150/480 200/600	1	6.600
Rated motor auxiliary supply voltage 208...277VAC.				
GLCMB0100A230UL	100	30/240 75/480 100/600	1	6.600
GLCMB0200A230UL	200	75/240 150/480 200/600	1	6.600

#### General characteristics

- 100A and 200A general purpose according to UL1008
- Screw fixing on plate
- Visible contacts
- Open transition (I - 0 - II positions)
- Electrically or manually operated
- Direct handle for manual operation supplied as standard, padlockable to prevent electrical operations
- Terminal blocks with removable screws fixing for power supply and switch control to ensure connection stability
- Expandable with EXP... expansion modules:
  - EXP1003: 2C/O relay outputs 5A 250VAC
  - EXP1006: 2NO relay outputs 5A 250VAC
  - EXP1012: RS485 communication port, Modbus-RTU.

#### EXP series expansion modules

See section 35.

#### Operational characteristics

- Rated insulation voltage  $U_i$ : 1,000V
- Rated impulse withstand  $U_{imp}$ : 12kV
- Mechanical life: 20,000 cycles.

#### Rated motor auxiliary supply voltage

- 24VDC (19.2...31.2VDC) for GLCM...D024:
- 110...125VAC/DC (77...165VAC/DC) for GLCM...E110;
- 208...277VAC (166...332VAC) for GLCM...A230.

#### Certifications and compliance

Certifications obtained: cULus according to standard UL1008. Compliant with standards: IEC/EN 60947-6-1, IEC/EN 60947-3.

### Motorised four-pole changeover switches UL1008

#### cULus



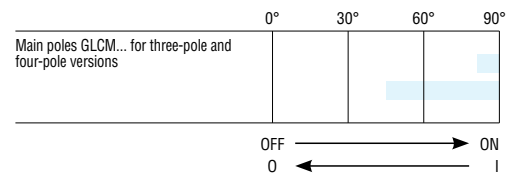
new



GLCM0200T4C1UL

Order code	General purpose current [A]	Max. 3-phase horsepower rating [HP/V]	Qty per pkg n°	Wt [kg]
Rated motor auxiliary supply voltage 24VDC.				
GLCMB0100T4D024UL	100	30/240 75/480 100/600	1	7.390
GLCMB0200T4D024UL	200	75/240 150/480 200/600	1	7.390
Rated motor auxiliary supply voltage 110...125VAC/DC.				
GLCMB0100T4E110UL	100	30/240 75/480 100/600	1	7.390
GLCMB0200T4E110UL	200	75/240 150/480 200/600	1	7.390
Rated motor auxiliary supply voltage 208...277VAC.				
GLCMB0100T4A230UL	100	30/240 75/480 100/600	1	7.390
GLCMB0200T4A230UL	200	75/240 150/480 200/600	1	7.390

#### Strokes of GLCM... power poles



Order code	Description
EXPANSION MODULES	
Outputs.	
EXP1003	2C/O relay outputs 5A 250VAC
EXP1006	2NO relay outputs 5A 250VAC
Communication port.	
EXP1012	Opto-isolated RS485 interface



EXP10...

# 14 Switch disconnectors

GL series 100A to 1000A.  
Add-on blocks and accessories

## Add-on blocks



GLX1010EA GLX1001



GLX300 GLX301

**new**

**new**



GLX8...



GLDX800

**new**



GLX9...

**new**



GLDX9...

**new**

Order code	Characteristics	Qty per pkg	Wt
		n°	[kg]

Auxiliary contacts.

<b>GLX1001</b>	1NC with screw terminals	1	0.100
<b>GLX1010EA</b>	1EB with screw terminals	1	0.100

Neutral terminal.

<b>GLX300</b>	For GL0100...GL0315	1	0.340
<b>GLX302</b>	For GL0320...GL0630	1	0.680
<b>GLX304</b>	For GL0600C1UL and GL0631...GL0800	1	1.860
<b>GLX306</b>	For GL0800C1UL and GL1000	1	1.980

Earth/ground terminal.

<b>GLX301</b>	For GL0100...GL0315	1	0.340
<b>GLX303</b>	For GL0320...GL0630	1	0.680
<b>GLX305</b>	For GL0600C1UL and GL0631...GL0800	1	1.860
<b>GLX307</b>	For GL0800C1UL and GL1000	1	1.980

One-pole terminal covers.

<b>GLX800</b>	3-piece set. 3 terminals protections. For GL0100...GL0315, GLC0100...GLC0315 and GLCMB0125...GLCMB0315	1	0.060
<b>GLX801</b>	4-piece set. 4 terminals protections. For GL0100...GL0315, GLC0100...GLC0315, GLCMB0125...GLCMB0315 and GLD...	1	0.080
<b>GLX802</b>	3-piece set. 3 terminals protections. For GL0320...GL0630 and GLC0320...GLC0630	1	0.070
<b>GLX803</b>	4-piece set. 4 terminals protections. For GL0320...GL0630 and GLC0320...GLC0630	1	0.095
<b>GLX804</b>	3-piece set. 3 terminals protections. For GL0600...GL0800C1UL, GL0631...GL1000 and GLC0631...GLC1000	1	0.085
<b>GLX805</b>	4-piece set. 4 terminals protections. For GL0600...GL0800C1UL, GL0631...GL1000 and GLC0631...GLC1000	1	0.115

Two-pole terminal covers.

<b>GLDX800</b>	2-piece set. 4 terminals protections with series connections. For GLD...T4...	1	0.060
----------------	---	---	-------

One-pole phase barrier (needed for voltages > 500VAC).

<b>GLX900</b>	6-piece set. For GL0100...GL0315, GLC0100...GLC0315 and GLCMB0125...GLCMB0315	1	0.070
<b>GLX901</b>	8-piece set. For GL0100...GL0315, GLC0100...GLC0315 and GLCMB0125...GLCMB0315	1	0.090
<b>GLX902</b>	6-piece set. For GL0320...GL0500 and GLC0320...GLC0500	1	0.011
<b>GLX903</b>	8-piece set. For GL0320...GL0500 and GLC0320...GLC0500	1	0.011
<b>GLX904</b>	6-piece set. For GL0600C1UL, GL0631...GL0800 and GLC0631...GLC0800	1	0.160
<b>GLX905</b>	8-piece set. For GL0600C1UL, GL0631...GL0800 and GLC0631...GLC0800	1	0.210
<b>GLDX900</b>	2-piece set. For GLD...T4C3	1	0.052
<b>GLDX901</b>	2-piece set. For GLD...T4C3UL	1	0.052

① Phase barriers standard supplied for GLD...T4C3UL. They provide increased protection than GLX900 and GLX901. They can be used also together with GL0100...GL0315.

### Operational characteristics of auxiliary contacts GLX10...

- Conventional free air thermal current Ith: 10A
- Rated insulation voltage: 690V
- Conductivity: 5V, 1mA
- UL/CSA and IEC/EN/BS 60947-5-1 designation: A600 Q600
- Tightening torque: 0.8Nm/7.1lb.in
- Maximum 8 contacts (2 for slot) for GL0160...GL1000 switch disconnectors
- Maximum 4 contacts for position (1 for slot) for GLC...and GLCM... changeover switches
- Snap-on assembly without the use of tools.

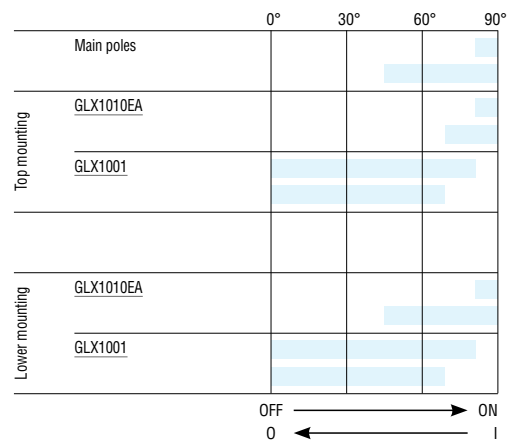
### Operational characteristics of neutral and earth/ground terminals GLX3...

- Add-on only on GL0160...GL1000 switch disconnectors
- Tightening torque for GLX300 and GLX301: 15...22Nm/132.7...194.7lb.in
- Tightening torque for GLX302 and GLX303: 30...37Nm/265...327lb.in
- Tightening torque for GLX304, GLX305, GLX306, GLX307: 50...75Nm/442...664lb.in

### Operational characteristics for terminal covers and phase barriers GLX8..., GLX9...

- Snap-on mounting.

### Strokes of switch disconnectors GL... poles



# 14 Switch disconnectors

GL series 100A to 1000A.  
Add-on blocks and accessories

## Add-on blocks



GLX500 - GLX501



GLX502 - GLX503



GLX504 - GLX505



GLDX501



GLX55...



GLXV...



GLXHS1

**new**

**new**

**new**

**new**

Order code	Characteristics	Qty per pkg	Wt
		n°	[kg]
Terminal clamp sets for rigid and flexible cables.			
<b>GLX500</b>	1-piece set. 1 terminal connection for single cable. For GL0100...GL0315, GLC0100...GLC0315, GLCMB0125...GLCMB0315 and GLD...	1	0.050
<b>GLX501</b>	3-piece set. 3 terminals connection for single cable. For GL0100...GL0315, GLC0100...GLC0315, GLCMB0125...GLCMB0315 and GLD...	1	0.140
<b>GLX502</b>	1-piece set. 1 terminal connection for single cable. For GL0320...GL0630 and GLC0320...GLC0630	1	0.100
<b>GLX503</b>	3-piece set. 3 terminals connection for single cable. For GL0320...GL0630 and GLC0320...GLC0630	1	0.280
<b>GLX504</b>	1-piece set. 1 terminal connection for double cables. For GL0320...GL0630 and GLC0320...GLC0630	1	0.110
<b>GLX505</b>	3-piece set. 3 terminals connection for double cables. For GL0320...GL0630 and GLC0320...GLC0630	1	0.310
<b>GLX506</b>	1-piece set. 1 terminal connection for four cables. For GL0600...GL0800C1UL, GL0631...GL1000 and GLC0631...GLC1000	1	0.200
<b>GLX507</b>	3-piece set. 3 terminal connection for four cables. For GL0600...GL0800C1UL, GL0631...GL1000 and GLC0631...GLC1000	1	0.600
<b>GLDX501</b>	4-piece set. 4 terminal connection for four cables. For GLD...UL, GL0100...GL0315, GLC0100...GLC0315 and GLCMB0125...GLCMB0315	1	0.600
Captive nuts.			
<b>GLX550</b>	8-piece set. For GL0100...GL0315, GLC0100...GLC0315 and GLCMB0125...GLCMB0315	1	0.010
<b>GLX551</b>	8-piece set. For GL0320...GL0630 for GLC0320...GLC0630	1	0.010
<b>GLX552</b>	8-piece set. For GL0600C1UL, GL0631...GL0800 and GLC0631...GLC0800	1	0.015
<b>GLX553</b>	8-piece set. For GL0800C1UL, GL1000 and GLC1000	1	0.015
<b>GLDX550</b>	4-piece set. For GLD..., GL0100...GL0315, GLC0100...GLC0315 and GLCMB0125...GLCMB0315	1	0.015
Voltage sensing connectors.			
<b>GLXVS00</b>	6-piece set. For GLD..., GL0100...GL0315, GLC0100...GLC0315 and GLCMB0125...GLCMB0315	1	0.030
<b>GLXVS00</b>	8-piece set. For GLD..., GL0100...GL0315, GLC0100...GLC0315 and GLCMB0125...GLCMB0315	1	0.040
Direct operating handle holder for motorised changeover switches GLCM...			
<b>GLXHS1</b>	For GLX61DB handle	1	0.018

## Operational characteristics for terminal clamps

### GLX500-GLX501

- Maximum conductor cross section: 120mm<sup>2</sup>/250kcmil
- Minimum conductor cross section: 16mm<sup>2</sup>/6AWG
- Tightening torque: 35Nm/309.7lb.in.

### GLX502-GLX503

- Maximum conductor cross section: 304mm<sup>2</sup>/600kcmil
- Minimum conductor cross section: 33.6mm<sup>2</sup>/2AWG
- Tightening torque: 42.4Nm/375lb.in.

### GLX504-GLX505

- Maximum conductor cross section: 2x152mm<sup>2</sup>/2x300kcmil
- Minimum conductor cross section: 2x21.2mm<sup>2</sup>/2x4AWG
- Tightening torque: 22.6Nm/200lb.in.

### GLX506-GLX507

- Maximum conductor cross section: 2x304mm<sup>2</sup>/2x600kcmil
- Minimum conductor cross section: 2x33.6mm<sup>2</sup>/2x2AWG
- Tightening torque: 22.6Nm/200lb.in.

### GLDX501

- Maximum conductor cross section: 152mm<sup>2</sup>/300kcmil
- Minimum conductor cross section: 16mm<sup>2</sup>/6AWG
- Tightening torque: 42.4Nm/375lb.in.

## Certifications and compliance

Certifications obtained: cULus  
Compliant with standards: IEC/EN/BS 60947-1, IEC/EN/BS 60947-3.

# 14 Switch disconnectors

GL series 100A to 1000A.  
Add-on blocks and accessories

INDEX

## Bridging bars



GLX2...



GLDX201

**new**

Order code	Characteristics	Qty per pkg	Wt
		n°	[kg]
One-pole bridging bars for changeover parallel connection.			
<b>GLX201</b>	3-piece set. Connection 3 poles. For GLC0100...GLC0315 and GLCMB0125...GLCMB0315	1	0.180
<b>GLX202</b>	4-piece set. Connection 4 poles. For GLC0100...GLC0315 and GLCMB0125...GLCMB0315	1	0.200
<b>GLX206</b>	3-piece set. Connection 3 poles. For GLC0320...GLC0630	1	0.190
<b>GLX207</b>	4-piece set. Connection 4 poles. For GLC0320...GLC0630	1	0.255
<b>GLX208</b>	3-piece set. Connection 3 poles. For Per GLC0631...GLC1000	1	0.850
<b>GLX209</b>	4-piece set. Connection 4 poles. For GLC0631...GLC1000	1	0.850
2-pole bridging bar for switch disconnectors for photovoltaic applications series connection.			
<b>GLDX201</b>	2-piece set. Connection 2 poles. For GLD...T4...	1	0.120

❶ Bridging bar standard supplied with GLD...T4...

## Spare motor operator



GLXM1...

**new**

Order code	Characteristics	Qty per pkg	Wt
		n°	[kg]
Spare motor operator for motorised changeover switches.			
<b>GLXM1D024</b>	For GLCM...D024	1	2.800
<b>GLXM1E110</b>	For GLCM...E110	1	2.800
<b>GLXM1A230</b>	For GLCM...A230	1	2.800

## Communication device



CX01

Order code	Characteristics	Qty per pkg	Wt
		n°	[kg]
<b>CX01</b>	USB connection device PC ↔ GLCM with optical connector for programming, data download, diagnostics and firmware upgrade	1	0.090

### General characteristics

For general characteristics of this accessory see section 35.

# 14 Switch disconnectors

GL series 100A to 1000A.  
Add-on blocks and accessories

## Handles and shafts



GLX61DB



GLX61D

**new**



GLX62DB



GLX61



GLX61B

**new**



GLX61CB



GLX00



GLX7...

**new**

Order code	Characteristics	Qty per pkg	Wt
		n°	[kg]
Direct operating handles.			
<b>GLX61DB</b>	For GL0100...GL0315, GLC0100...GLC0315 and GLD... Black	1	0.075
<b>GLX61D</b>	For GL0100...GL0315 and GLD... Red/yellow	1	0.095
<b>GLX62DB</b>	For GL0320...GL0630 and GLC0320...GLC0630. Black	1	0.140
<b>GLX62D</b>	For GL0320...GL0630. Red/yellow	1	0.170
<b>GLX63DB</b>	For GL0600...GL0800C1UL, GL0631...GL1000 and GLC0631...GLC1000. Black	1	0.210
<b>GLX63D</b>	For GL0600...GL0800C1UL and GL0631...GL1000. Red/yellow	1	0.260
Door coupling handles for switch disconnectors.			
<b>GLX61</b>	For GL0100...GL0315 and GLD... Screw fixing. 125mm/4.92" lever length pistol handle - defeatable (req. UL508A). Red/yellow. □10mm/0.39"	1	0.220
<b>GLX61B</b>	For GL0100...GL0315 and GLD... Screw fixing. 125mm/4.92" lever length pistol handle - defeatable (req. UL508A). Black. □10mm/0.39"	1	0.220
<b>GLX62</b>	For GL0320...GL0630. Screw fixing. 175mm/6.89" lever length pistol handle - defeatable (req. UL508A). Red/yellow. □10mm/0.39"	1	0.240
<b>GLX62B</b>	For GL0320...GL0630. Screw fixing. 175mm/6.89" lever length pistol handle - defeatable (req. UL508A). Black. □10mm/0.39"	1	0.240
<b>GLX63</b>	For GL0600...GL0800C1UL and GL0631...GL1000. Screw fixing. 175mm/6.89" lever length pistol handle - defeatable (req. UL508A). Red/yellow. □12mm/0.47"	1	0.310
<b>GLX63B</b>	For GL0600...GL0800C1UL and GL0631...GL1000. Screw fixing. 175mm/6.89" lever length pistol handle - defeatable (req. UL508A). Black. □12mm/0.47"	1	0.310
Door coupling handles for changeover switches.			
<b>GLX61CB</b>	For GLC0100...GLC0315. Screw fixing. 125mm/4.92" lever length pistol handle - defeatable (req. UL508A). Black. □10mm/0.39"	1	0.215
<b>GLX62CB</b>	For GLC0320...GLC0630. Screw fixing. 175mm/6.89" lever length pistol handle - defeatable (req. UL508A). Black. □10mm/0.39"	1	0,240
<b>GLX63CB</b>	For GLC0631...GLC1000. Screw fixing. defeatable, 175mm/6.89" - with release (req. UL508A). Black. □12mm/0.47"	1	0.310
Accessories for door coupling handles.			
<b>GLX00</b>	Shaft alignment ring	1	0.040
Shaft extensions for door coupling handles GLX61, GLX61B, GLX61CB, GLX62, GLX62B, GLX62CB, GLX63, GLX63B, GLX63CB			
<b>GLX7150S10</b>	150mm/5.90", □10mm/0.39"	1	0.150
<b>GLX7200S10</b>	200mm/7.87", □10mm/0.39"	1	0.190
<b>GLX7300S10</b>	300mm/11.81", □10mm/0.39"	1	0.270
<b>GLX7400S10</b>	400mm/15.75", □10mm/0.39"	1	0.350
<b>GLX7500S10</b>	500mm/19.68", □10mm/0.39"	1	0.430
<b>GLX7150S12</b>	150mm/5.90", □12mm/0.47"	1	0.180
<b>GLX7200S12</b>	200mm/7.87", □12mm/0.47"	1	0.240
<b>GLX7300S12</b>	300mm/11.81", □12mm/0.47"	1	0.360
<b>GLX7400S12</b>	400mm/15.75", □12mm/0.47"	1	0.480
<b>GLX7500S12</b>	500mm/19.68", □12mm/0.47"	1	0.600

### Operational characteristics for direct operating handles

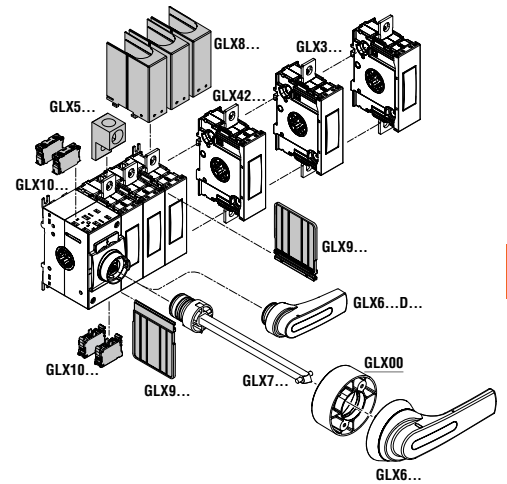
- Snap-on mounting on switch disconnectors and changeover switches
- 1 to 3 padlocks in the Ø4...6mm/0.16...0.24".
- standard supplied with GLCM...

### Operational characteristics for door coupling handles

- Handle fixing centres: 28x40mm/1.10x1.57"
- 1 to 3 padlocks in the Ø4...8mm/0.16...0.31"
- Tightening torque: 1.5Nm/13.3lb.in
- Degree of protection:
  - Per IEC/EN: IP66 and IP69K
  - Per UL: Type 1, 2, 3R, 12, 12K, 4, 4X external use.

### Certifications and compliance

Certifications obtained: cULus.  
Compliant with standards: IEC/EN 60947-1, IEC/EN 60947-3.



# 14 Switch disconnectors

GL series 100A to 1000A.  
In metal enclosure

## Switch disconnectors in metal enclosure IEC/EN/BS IP65



GLZM0160...GLZM315...



GLZM0160...B...GLZM315...B

Order	IEC conventional thermal current I <sub>th</sub> AC21A (≤690V)	IEC rated operational current I <sub>e</sub> AC23A (≤400V)	Qty per pkg	Wt [kg]
	[A]	[A]	n°	[kg]

THREE-POLE.  
With red/yellow handle.

GLZM0160	160	160	1	9.750
GLZM0200	200	200	1	9.750
GLZM0250	250	250	1	9.750
GLZM0315	315	315	1	9.750

THREE-POLE.  
With black handle.

GLZM0160B	160	160	1	9.750
GLZM0200B	200	200	1	9.750
GLZM0250B	250	250	1	9.750
GLZM0315B	315	315	1	9.750

FOUR-POLE.  
With red/yellow handle.

GLZM0160T4	160	160	1	9.950
GLZM0200T4	200	200	1	9.950
GLZM0250T4	250	250	1	9.950
GLZM0315T4	315	315	1	9.950

FOUR-POLE.  
With black handle.

GLZM0160T4B	160	160	1	9.950
GLZM0200T4B	200	200	1	9.950
GLZM0250T4B	250	250	1	9.950
GLZM0315T4B	315	315	1	9.950

### Components

Enclosure	Switch disconnector	Handle
-----------	---------------------	--------

GLZM1	GL0160C1	GLX61
GLZM1	GL0200C1	GLX61
GLZM1	GL0250C1	GLX61
GLZM1	GL0315C1	GLX61

GLZM1	GL0160C1	GLX61B
GLZM1	GL0200C1	GLX61B
GLZM1	GL0250C1	GLX61B
GLZM1	GL0315C1	GLX61B

Enclosure	Switch disconnector	4th pole	Handle
GLZM1	GL0160C1	GLX420315	GLX61
GLZM1	GL0200C1	GLX420315	GLX61
GLZM1	GL0250C1	GLX420315	GLX61
GLZM1	GL0315C1	GLX420315	GLX61

GLZM1	GL0160C1	GLX420315	GLX61B
GLZM1	GL0200C1	GLX420315	GLX61B
GLZM1	GL0250C1	GLX420315	GLX61B
GLZM1	GL0315C1	GLX420315	GLX61B

① Extension shaft GLX7200S10 has to be added. Metal rod included has to be cut at 185mm/7.28" of total length.

### General characteristics

- Enclosure material: painted sheet steel
- Padlockable handle
- Front door closing with screws and hinges on the right side of the enclosure
- Degree of protection: IP65
- Cable entry: smooth surfaces; can be drilled by customer.

### Certifications and compliance

Compliant with standards: IEC/EN/BS 60947-3, IEC/EN/BS 60947-1.

# 14 Switch disconnectors

GL series 100A to 1000A.  
In metal enclosure

## Manual changeover switches in metal enclosure IEC/EN/BS IP65



GLZM0160ET...GLZM0315ET...

Order code	IEC conventional thermal current Ith AC21A (≤690V)	IEC rated operational current Ie		Qty per pkg	Wt [kg]
		AC33B (≤400V)	AC33B (≤500V)		
	[A]	[A]	[A]	n°	

3-pole line changeover switches I-O-II. Black handle.

<b>GLZM0160ET6</b>	160	160	160	1	11.780
<b>GLZM0200ET6</b>	200	200	200	1	11.780
<b>GLZM0250ET6</b>	250	250	250	1	11.780
<b>GLZM0315ET6</b>	315	315	250	1	11.780

4-pole line changeover switches I-O-II. Black handle.

<b>GLZM0160ET8</b>	160	160	160	1	12.180
<b>GLZM0200ET8</b>	200	200	200	1	12.180
<b>GLZM0250ET8</b>	250	250	250	1	12.180
<b>GLZM0315ET8</b>	315	315	250	1	12.180

### Components

Enclosure	Changeover switch	Handle
-----------	-------------------	--------

GLZM1	GLC0160C1	GLX61CB
GLZM1	GLC0200C1	GLX61CB
GLZM1	GLC0250C1	GLX61CB
GLZM1	GLC0315C1	GLX61CB

Enclosure	Changeover switches	Handle
GLZM1	GLC0160T4C1	GLX61CB
GLZM1	GLC0200T4C1	GLX61CB
GLZM1	GLC0250T4C1	GLX61CB
GLZM1	GLC0315T4C1	GLX61CB

Extension shaft GLX7150S10 has to be added. Metal rod included has to be cut at 92mm/3.62" of total length.

### General characteristics

- Enclosure material: painted sheet steel
- Padlockable handle
- Front door closing with screws and hinges on the right side of the enclosure
- Degree of protection: IP65
- Cable entry: smooth surfaces; can be drilled by customer.

### Certifications and compliance

Compliant with standards: IEC/EN/BS 60947-6-1, IEC/EN/BS 60947-1.

## Empty metal enclosures IEC/EN/BS IP65



GLZM1

Order code	Enclosure dimensions	Qty per pkg	Wt [kg]
	[mm (in)]	n°	

For switch disconnectors and changeover switches  
Painted sheet steel enclosures.

<b>GLZM1</b>	300x400x250 (11.8x15.75x9.84)	1	5.700
--------------	----------------------------------	---	-------

### General characteristics

- Painted sheet steel enclosures
- Front door closing with screws and hinges on the right side of the enclosures
- Drilled cover for handle assembly
- Ground terminal included
- Degree of protection: IP65
- Cable entry: smooth surfaces; can be drilled by customer.

### Compliance

Compliant with standards: IEC/EN/BS 60947-1.

### Three-pole switch disconnectors IEC/EN/BS



GE...

Order code	IEC conventional free air thermal current Ith AC21A (≤500V)	IEC rated operational current Ie		Qty per pkg	Wt [kg]
		AC23A (≤400V)	AC23A (≤500V)		
	[A]	[A]	[A]	n°	[kg]
Separately purchase the handle and shaft extension ❶.					
<b>GE0160P</b> ❷	160	160	125	1	0.850
<b>GE0160</b>	160	160	125	1	0.850
<b>GE0200</b>	200	160	125	1	0.900
<b>GE0250</b>	250❸	160	125	1	0.900
<b>GE0251</b>	250	250	200	1	1.700
<b>GE0315</b>	315	315	250	1	1.700
<b>GE0400</b>	400	400	315	1	1.900
<b>GE0500</b>	500	500	400	1	4.200
<b>GE0630</b>	630	630	500	1	4.200
<b>GE0800</b>	800	800	500	1	4.200
<b>GE1000</b>	1000	1000	800	1	7.000
<b>GE1250</b>	1250	1000	800	1	7.600
<b>GE1600</b>	1600	1000	900	1	20.800

### General characteristics

- 50A to 1600A
- Available versions: direct operating and door coupling
- Screw fixing: 35mm DIN rail mount adapter kit for GE0160P on page 14-47
- Padlockable in 0 position with no extra accessory.

### Operational characteristics

- IEC rated insulation voltage Ui: 1000V
- Mechanical life:
  - 30,000 cycles for GE0160...GE0250, GE0160P
  - 20,000 cycles for GE0251...GE0400
  - 10,000 cycles for GE0500...GE1600, GEF0050...GEF0100..., GE0400N
  - 8,000 cycles for GEF0125...GEF0250...
  - 5,000 cycles for GE0630N and GE0800N.

### Certifications and compliance

Certifications obtained: EAC.  
Compliant with standards: IEC/EN/BS 60947-1, IEC/EN/BS 60947-3.

### Three-pole switch disconnectors with fuse holder IEC/EN/BS



GEF... F - GEF...N

new

Order code	IEC conventional free air thermal current Ith AC21A (≤500V)	IEC rated operational current Ie		Qty per pkg	Wt [kg]
		AC23A (≤400V)	AC23A (≤500V)		
	[A]	[A]	[A]	n°	[kg]
With NFC fuse holder. Separately purchase the handle and shaft extension ❶❷.					
<b>GEF0050F</b>	50	50	50	1	0.850
<b>GEF0100F</b>	100	80	63	1	1.000
<b>GEF0125F</b>	125	125	125	1	1.300
With NH fuse holder. Separately purchase the handle and shaft extension ❶❷.					
<b>GEF0063N</b>	63	63	50	1	0.850
<b>GEF0100N</b>	100	80	63	1	1.000
<b>GEF0125N</b>	125	125	125	1	1.300
<b>GEF0160N</b>	160	160❸	125	1	1.300
<b>GEF0250N</b>	250	250	200	1	3.400
<b>GE0400N</b>	400	400	400	1	6.600
<b>GE0630N</b>	630	630	630	1	13.000
<b>GE0800N</b>	800	630	630	1	13.000

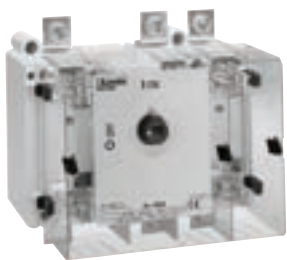
❶ To select the right handle refer to the summary table of combinations at page 14-50. Extension shafts of direct operating handles are standard supplied.

❷ See table on page 14-50 for the types of fuses.

❸ Standard supplied with IEC IP20 terminal protection.

❹ 250A Ith; 200A AC21A ≤500V.

❺ 160A AC23B ≤415V.



GE...N

### Four-pole switch disconnectors IEC/EN/BS



GE...T4...

Order code	IEC conventional free air thermal current Ith AC21A (≤500V)	IEC rated operational current Ie		Qty per pkg	Wt [kg]
		AC23A (≤400V)	AC23A (≤500V)		
	[A]	[A]	[A]	n°	[kg]

Separately purchase the handle and shaft extension ❶.

<b>GE0160T4P</b> ❶	160	160	125	1	1.000
<b>GE0160T4</b>	160	160	125	1	1.000
<b>GE0200T4</b>	200	160	125	1	1.000
<b>GE0250T4</b>	250❶	160	125	1	1.000
<b>GE0251T4</b>	250	250	200	1	1.900
<b>GE0315T4</b>	315	315	250	1	1.900
<b>GE0400T4</b>	400	400	315	1	2.100
<b>GE0500T4</b>	500	500	400	1	4.500
<b>GE0630T4</b>	630	630	500	1	4.500
<b>GE0800T4</b>	800	800	500	1	4.500
<b>GE1000T4</b>	1000	1000	800	1	7.600
<b>GE1250T4</b>	1250	1000	800	1	7.600
<b>GE1600T4</b>	1600	1000	900	1	20.800

### General characteristics

- 50A to 1600A
- 4-pole types (3P+N) with early-make late-break neutral pole
- Available versions: direct operating and door coupling
- Screw fixing: 35mm DIN rail mount adapter kit for GE0160T4P on page 14-47
- Padlockable in 0 position with no extra accessory.

### Operational characteristics

- IEC rated insulation voltage Ui: 1000V
- Mechanical life:
  - 30,000 cycles for GE0160T4...GE0250T4, GE0160T4P
  - 20,000 cycles for GE0251T4...GE0400T4
  - 10,000 cycles for GE0500T4...GE1600T4, GEF0050...GEF0100...T4, GE0400N
  - 8,000 cycles for GEF0125...GEF0250...T4
  - 5,000 cycles for GE0630N and GE0800N.

### Certifications and compliance

Certifications obtained: EAC.  
Compliant with standards: IEC/EN/BS 60947-1, IEC/EN/BS 60947-3.

### Four-pole switch disconnectors with fuse holder IEC/EN/BS



GEF... FT4 - GEF...NT4

**new**

Order code	IEC conventional free air thermal current Ith AC21A (≤500V)	IEC rated operational current Ie		Qty per pkg	Wt [kg]
		AC23A (≤400V)	AC23A (≤500V)		
	[A]	[A]	[A]	n°	[kg]

With NFC fuse holder.

Separately purchase the handle and shaft extension ❶❷.

<b>GEF0050FT4</b>	50	50	50	1	1.100
<b>GEF0100FT4</b>	100	80	63	1	1.300
<b>GEF0125FT4</b>	125	125	125	1	1.600

With NH fuse holder.

Separately purchase the handle and shaft extension ❶❷.

<b>GEF0063NT4</b>	63	63	50	1	1.100
<b>GEF0100NT4</b>	100	80	63	1	1.300
<b>GEF0125NT4</b>	125	125	125	1	1.600
<b>GEF0160NT4</b>	160	160 ❸	125	1	1.600
<b>GEF0250NT4</b>	250	250	200	1	4.200
<b>GE0400NT4</b>	400	400	400	1	8.000
<b>GE0630NT4</b>	630	630	630	1	15.000
<b>GE0800NT4</b>	800	630	630	1	15.000

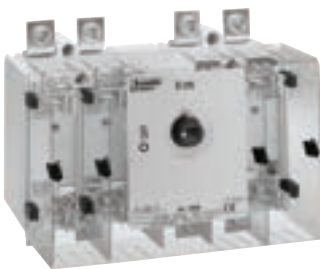
❶ To select the right handle refer to the summary table of combinations at page 14-50. Extension shafts of direct operating handles are standard supplied.

❷ See table on page 14-50 for the types of fuses.

❸ Standard supplied with IEC IP20 terminal protection.

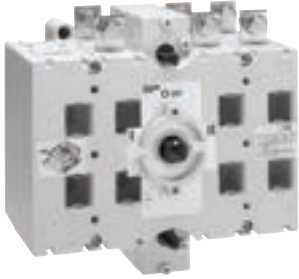
❹ 250A Ith; 200A AC21A ≤500V.

❺ 160A AC23B ≤415V.



GE...NT4

### Three-pole changeover switches IEC/EN/BS



GE...E

Order code	IEC conventional free air thermal current I <sub>th</sub> AC21A (≤500V)		IEC rated operational current I <sub>e</sub>		Qty per pkg	Wt [kg]
	[A]	[A]	AC23A (≤400V)	AC23A (≤500V)		
	[A]	[A]	[A]	[A]	n°	[kg]
Separately purchase the handle and shaft extension ❶.						
<b>GE0160E</b>	160	160	125	1	1	1.800
<b>GE0200E</b>	200	160	125	1	1	1.900
<b>GE0201E</b>	200	160	125	1	1	4.800
<b>GE0250E</b>	250	180	150	1	1	4.800
<b>GE0315E</b>	315	200	160	1	1	5.000
<b>GE0400E</b>	400	250	200	1	1	5.000
<b>GE0500E</b>	500	400	250	1	1	11.500
<b>GE0630E</b>	630	500	315	1	1	11.500
<b>GE0800E</b>	800	630	400	1	1	11.900
<b>GE1000E</b>	1000	1000	800	1	1	21.800
<b>GE1250E</b>	1250	1000	900	1	1	23.600
<b>GE1600E</b>	1600	1000	900	1	1	50.000
<b>GE2000E</b>	2000	1250	500	1	1	52.000
<b>GE2500E</b>	2500	1800	1250	1	1	119.000
<b>GE3150E</b>	3150	1800	1400	1	1	139.000

#### General characteristics

- 160A to 3150A
- 4-pole types (3P+N) with early-make late-break neutral pole
- Available versions: direct operating and door coupling
- Screw fixing
- Padlockable in 0 position with no extra accessory.

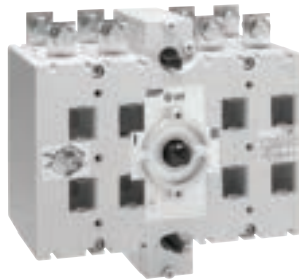
#### Operational characteristics

- IEC rated insulation voltage U<sub>i</sub>: 1000V
- Mechanical life: 30,000 cycles for GE0160E/ET4 and GE0200E/ET4 only; 10,000 cycles for other types.

#### Certifications and compliance

Certifications obtained: EAC.  
Compliant with standards: IEC/EN/BS 60947-1, IEC/EN/BS 60947-3.

### Four-pole changeover switches IEC/EN/BS



GE...ET4

Order code	IEC conventional free air thermal current I <sub>th</sub> AC21A (≤500V)		IEC rated operational current I <sub>e</sub>		Qty per pkg	Wt [kg]
	[A]	[A]	AC23A (≤400V)	AC23A (≤500V)		
	[A]	[A]	[A]	[A]	n°	[kg]
Separately purchase the handle and shaft extension ❶.						
<b>GE0160ET4</b>	160	160	125	1	1	2.100
<b>GE0200ET4</b>	200	160	125	1	1	2.200
<b>GE0201ET4</b>	200	160	125	1	1	5.300
<b>GE0250ET4</b>	250	180	150	1	1	5.300
<b>GE0315ET4</b>	315	200	160	1	1	5.500
<b>GE0400ET4</b>	400	250	200	1	1	5.500
<b>GE0500ET4</b>	500	400	250	1	1	12.600
<b>GE0630ET4</b>	630	500	315	1	1	12.600
<b>GE0800ET4</b>	800	630	400	1	1	13.200
<b>GE1000ET4</b>	1000	1000	800	1	1	24.300
<b>GE1250ET4</b>	1250	1000	900	1	1	26.700
<b>GE1600ET4</b>	1600	1000	900	1	1	55.000
<b>GE2000ET4</b>	2000	1250	500	1	1	69.000
<b>GE2500ET4</b>	2500	1800	1250	1	1	159.000
<b>GE3150ET4</b>	3150	1800	1400	1	1	186.000

❶ To select the right handle refer to the summary table of combinations at page 14-49. Extension shafts of direct operating handles are standard supplied.

### Motorised control unit for changeover switches IEC/EN/BS



GEX69...

Order code	Description	Qty per pkg	Wt [kg]
		n°	[kg]
Complete with control handle, shaft extension and fixing elements.			
<b>GEX690C</b>	For GE0160E...GE0200E and GE0160ET4...GE0200ET4	1	3.000
<b>GEX691C</b>	For GE0201E...GE0400E and GE0201ET4...GE0400ET4	1	3.000
<b>GEX692C</b>	For GE0500E...GE0800E and GE0500ET4...GE0800ET4	1	3.000
<b>GEX693C</b>	For GE1000E...GE1250E and GE1000ET4...GE1250ET4	1	5.753
<b>GEX694C</b>	For GE1600...2000E and GE1600...2000ET4	1	5.900
<b>GEX695C</b>	For GE2500...3150E and GE2500...3150ET4	1	5.900

#### General characteristics

- IEC rated auxiliary supply voltage: 230VAC
- 4 static outputs, 24VDC 120mA total
- 4 inputs, contacts powered at 24VDC or 5VDC (500mA) for changeover control (pulsed or continuous)
- RS485-Modbus (only for GEX692C, GEX693C and GEX694C) serial port for control, monitoring, programming
- Padlockable at 0 position
- Programming by position inputs
- 4-digit display for status-error indications.

#### Certifications and compliance

Certifications obtained: EAC.  
Compliant with standards: IEC/EN/BS 60947-1, IEC/EN/BS 60947-3.

# 14 Switch disconnectors

GE series 50A to 3150A.

Add-on blocks and accessories

## Add-on blocks



GEX10... - GEFX10...



GEFX10S...



GEX8900



GEX8... - GEFX8...



GEFX9...

**new**

**new**

Order code	Description	Qty per pkg	Wt [kg]
------------	-------------	-------------	---------

Auxiliary contacts ❶.

<b>GEX1011</b>	1NO/1NC changeover	1	0.032
<b>GEX1022</b>	2NO/2NC changeover	1	0.032

Auxiliary contacts for switch disconnectors with fuse holder type GEF...

<b>GEFX1011</b> ❷	1NO/1NC changeover	1	0.032
-------------------	--------------------	---	-------

Auxiliary contacts type GEFX1011 mounting support ❸.

<b>GEFX10S1</b>	For simultaneous closing. For GEF0050...GEF0160...	1	0.080
<b>GEFX10SEA1</b>	For early-make contact operation, to be only used for 2NO/2NC configuration. For GEF0050...GEF0160...	1	0.080
<b>GEFX10S2</b>	For simultaneous closing. For GEF0250...	1	0.100
<b>GEFX10SEA2</b>	For early-make contact operation, to be only used for 2NO/2NC configuration. For GEF0250...	1	0.100

Auxiliary contacts for switch disconnector types GE0160...GE0200E, GE0160...GE0200ET4, GE1600...GE3150E, GE1600...GE3150ET4.

<b>GEX1011M</b>	1NO/1NC changeover	1	0.016
-----------------	--------------------	---	-------

Adapter kit for 35mm DIN fixing.

<b>GEX8900</b>	For GE...P types only	1	0.040
----------------	-----------------------	---	-------

Set of terminal covers consisting of pieces given below. Screw fixing.

<b>GEX8101</b>	1-piece set, transparent sheet covering 4 poles	1	0.048
<b>GEX8111</b>	2-piece set, each covers two poles	1	0.080
<b>GEX8121</b>	2-piece set, each covers two poles	1	0.140
<b>GEX8131</b>	2-piece set, each covers two poles	1	0.170
<b>GEX8141</b>	2-piece set, each covers two poles	1	0.440

Snap-on fixing.

<b>GEX8211</b>	3-piece set, each covers one pole	1	0.120
<b>GEX8221</b>	3-piece set, each covers one pole	1	0.240
<b>GEX8222</b>	3-piece set, each covers one pole	1	0.240
<b>GEX8223</b>	4-piece set, each covers one pole	1	0.320
<b>GEX8231</b>	3-piece set, each covers one pole	1	0.340
<b>GEX8232</b>	3-piece set, each covers one pole	1	0.340
<b>GEX8233</b>	4-piece set, each covers one pole	1	0.440
<b>GEX8311</b>	3-piece set, each covers one pole	1	0.120
<b>GEX8312</b>	4-piece set, each covers one pole	1	0.160
<b>GEX8321</b>	3-piece set, each covers one pole	1	0.260
<b>GEX8322</b>	4-piece set, each covers one pole	1	0.340
<b>GEX8331</b>	3-piece set, each covers one pole	1	0.360
<b>GEX8332</b>	4-piece set, each covers one pole	1	0.460

<b>GEFX800</b>	3-piece set, each covers one pole	1	0.090
<b>GEFX801</b>	4-piece set, each covers one pole	1	0.120
<b>GEFX802</b>	3-piece set, each covers one pole	1	0.120
<b>GEFX803</b>	4-piece set, each covers one pole	1	0.160

Phase barriers for GEF... ❹

<b>GEFX900</b>	2-piece set, for three-pole GEF...	1	0.090
<b>GEFX901</b>	3-piece set, for four-pole GEF...	1	0.120
<b>GEFX902</b>	2-piece set, for three-pole GEF...	1	0.120
<b>GEFX903</b>	3-piece set, for four-pole GEF...	1	0.180

❶ Unsuitable for switch disconnectors type GEF..., GE0160E, GE0200E, GE0160ET4, GE0200ET4, GE1600E e GE1600ET4.  
 ❷ Max 2 auxiliary contacts can be mounted.  
 ❸ It is possible to mount only one GEFX1011 with early-make contact operation without any support. For simultaneous closing or 2 auxiliary contacts select the right support.  
 ❹ Phase barrier is not needed between command pole and the next power pole.

Refer to the combinations given on pages 12-49 to 51 and 14-56 and 57 for a correct choice based on the switch disconnector type used.

**General characteristics for auxiliary contacts**  
 IEC conventional free air thermal current Ith: 16A.

**Certifications and compliance**  
 Certifications obtained: EAC.  
 Compliant with standards: IEC/EN/BS 60947-1, IEC/EN/BS 60947-3.

Refer to the combinations given on pages 12-49 to 51 and 14-56 and 57 for a correct choice based on the switch disconnector type used.

# 14 Switch disconnectors

GE series 50A to 3150A.

Add-on blocks and accessories

INDEX

## Handles and shaft extensions



GEX...D - GEX...E



GEX62NE



GEFX6...DB



GAX66N



GEFX61



GEX68N



GEX67NB



GAX7...AN



GEX7...GEFX7...

Order code	Characteristics	Qty per pkg	Wt
		n°	[kg]

DIRECT OPERATING LEVER HANDLE, PADLOCKABLE.  
Rotating type with screw fixing on switch disconnector.  
Complete with shaft extension.

GEX61E	50mm/2" black lever	1	0.052
GEX62NE	143mm/5.6" black lever	1	0.266
GEX63D	245mm/9.6" black lever	1	0.536
GEX63NE	176mm/6.9" black lever	1	0.424
GEX64D	360mm/14.2" black lever	1	0.612
GEX64NE	396mm/15.6" black lever	1	0.612
GEFX641NE	396mm/15.6" black lever	1	0.620
GEX65D	50mm/2" black lever	1	0.054
GEX66ND	115mm/4.5" black lever	1	0.216
GEX67ND	143mm/5.6" black lever	1	0.322
GEX68ND	396mm/15.6" black lever	1	0.328
GEX69ND	604mm/25.2" black lever	1	0.740
GEFX61DB	50mm/2" black lever	1	0.055
GEFX62DB	65mm/ 2.6" black lever	1	0.075

new

DOOR COUPLING LEVER HANDLE, PADLOCKABLE.  
Red/yellow rotating type with screw fixing on door.  
Shaft extension to order separately.  
Defeatable (requirement UL508A).

GAX66N	115mm/4.5" □10mm/0.4". IP65	1	0.248
GEX67N	143mm/5.6" □14mm/0.6". IP65	1	0.302
GEX68N	396mm/15.6" □14mm/0.6". IP65	1	0.312
GEFX61	94mm/3.7" □7mm/0.3". IP65	1	0.075
GEFX62	115mm/4.5" □10mm/0.4". IP65	1	0.216

new

DOOR COUPLING LEVER HANDLE, PADLOCKABLE.  
Black rotating type with screw fixing on door.  
Shaft extension to order separately.  
Defeatable (requirement UL508A).

GAX66NB	65mm/2.6" □7mm/0.3". IP66	1	0.075
GEX61NC	94mm/3.7" □7mm/0.3". IP65	1	0.074
GEX62NC	143mm/5.6" □10mm/0.4". IP65	1	0.252
GEX63NC	176mm/6.9" □14mm/0.6". IP65	1	0.302
GEX64NC	396mm/15.6" □14mm/0.6". IP65	1	0.488
GEX641NC	396mm/15.6" □14mm/0.6". IP65	1	0.500
GEX67NB	143mm/5.6" □14mm/0.6". IP65	1	0.298
GEX68NB	396mm/15.6" □14mm/0.6". IP65	1	0.310
GEX69NB	604mm/25.2" □14mm/0.6". IP65	1	0.740
GEFX61B	94mm/3.7" □7mm/0.3". IP65	1	0.302
GEFX62B	115mm/4.5" □10mm/0.4". IP65	1	0.312

new

SHAFT EXTENSIONS for door coupling handles.

GAX7150AN	150mm/5.9" □7mm/0.3"	1	0.090
GAX7200AN	200mm/7.9" □7mm/0.3"	1	0.112
GAX7300AN	300mm/11.8" □7mm/0.3"	1	0.160
GAX7400AN	400mm/15.7" □7mm/0.3"	1	0.200
GAX7500AN	500mm/19.7" □7mm/0.3"	1	0.250
GEX7162N	177mm/7" □7mm/0.3"	1	0.056
GEX7195N	195mm/7.7" □14mm/0.6"	1	0.248
GEX7227N	227mm/8.9" □10mm/0.4"	1	0.154
GEX7239N	239mm/9.4" □14mm/0.6"	1	0.310
GEX7250N	250mm/9.8" □7mm/0.3"	1	0.084
GEX7345N	345mm/13.6" □14mm/0.6"	1	0.480
GEX7375N	375mm/14.7" □10mm/0.4"	1	0.274
GEX7387N	387mm/15.2" □7mm/0.3"	1	0.142
GEX7536N	536mm/21.1" □10mm/0.4"	1	0.408
GEX7535N	535mm/21" □14mm/0.6"	1	0.784
GEX7485N	485mm/19.1" □14mm/0.6"	1	0.930
GEFX7177	177mm/7" □7mm/0.3"	1	0.077
GEFX7250	250mm/9.8" □7mm/0.3"	1	0.084
GEFX7387	387mm/15.2" □7mm/0.3"	1	0.142
GEFX7227	227mm/8.9" □10mm/0.4"	1	0.184
GEFX7375	375mm/14.8" □10mm/0.4"	1	0.274
GEFX7536	536mm/21.1" □10mm/0.4"	1	0.408

new

Refer to the combinations given on pages 14-49 to 51 and 14-56 and 57 for a correct choice based on the switch disconnector type used.

### Certifications and compliance

Certification obtained: cULus according to UL98A/CSA C22.2 n°4 only for types GAX66N... and GAX7...AN; EAC for all.

Compliant with standards: IEC/EN/BS 60947-1, IEC/EN/BS 60947-3.

Form and handle length	Handle types
50mm/2"	GEX61E - GEX65D - GEFX61DB
65mm/2.6"	GAX66N - GAX66NB - GEFX62DB
94mm/3.7"	GEX61NC - GEFX61 - GEFX61B
115mm/4.5"	GEX66ND - GEFX62 - GEFX62B
143mm/5.6"	GEX62NC - GEX62NE GEX67N - GEX67NB GEX67ND
176mm/6.9"	GEX63NC - GEX63NE
245mm/9.6"	2-hand GEX63D
360mm/14.2"	2-hand GEX64D
396mm/15.6"	2-hand GEX64NC - GEX64NE - GEX641NC - GEX641NE - GEX68N - GEX68NB - GEX68ND
604mm/25.2"	2-hand GEX69ND - GEX69NB

Refer to the combinations given on pages 12-49 to 51 and 14-56 and 57 for a correct choice based on the switch disconnector type used.

### Summary table of combinations - Three and four-pole changeover switches

Type	IEC conventional thermal current I <sub>th</sub>		IEC rated operational current I <sub>e</sub>		Direct operating handle			Door coupling handles		Shaft extensions for door coupling handles (the last 3 digits of GEX code indicate length in mm/in)		Auxiliary contacts 1NO/1NC	Motorised control unit	Terminal covers for:		
	AC21A (≤500V)	AC23B (≤400V)	AC23B (≤500V)	Black	Black	Red/yellow	Exten. section	Max panel depth	Line 1	Line 2	Load					
Order code	[A]	[A]	[A]	Order code	Order code	Order code	Order code	□	[mm/in]	Order code	Order code	Order code	Order code	Order code		

#### Three-pole changeover switches IEC/EN/BS.

<b>GE0160E</b>	160	160	125	<b>GEX61E</b>	<b>GEX61NC</b>	—	<b>GEX7162N</b>	7mm/0.3"	269/10.59"	<b>GEX1011M</b>	<b>GEX690C</b>	<b>GEX8101</b>	⊕	<b>GEX8101</b>
<b>GE0200E</b>	200	160	125				<b>GEX7250N</b>		342/13.36"			⊕		
							<b>GEX7387N</b>		479/18.86"					
<b>GE0201E</b>	200	160	125	<b>GEX62NE</b>	<b>GEX62NC</b>	—	<b>GEX7227N</b>	10mm/0.4"	279/10.98"	<b>GEX1011</b>	<b>GEX691C</b>	<b>GEX8212</b>	<b>GEX8211</b>	<b>GEX831</b>
<b>GE0250E</b>	250	180	150				<b>GEX7375N</b>		427/16.81"	<b>GEX1022</b>				
<b>GE0315E</b>	315	200	160				<b>GEX7536N</b>		588/23.15"					
<b>GE0400E</b>	400	250	200											
<b>GE0500E</b>	500	400	250	<b>GEX63NE</b>	<b>GEX63NC</b>	—	<b>GEX7195N</b>	14mm/0.6"	257/10.12"		<b>GEX692C</b>	<b>GEX8222</b>	<b>GEX8221</b>	<b>GEX832</b>
<b>GE0630E</b>	630	500	315				<b>GEX7345N</b>		407/16.02"					
<b>GE0800E</b>	800	630	400				<b>GEX7535N</b>		597/23.50"					
<b>GE1000E</b>	1000	1000	800	<b>GEX64NE</b>	<b>GEX64NC</b>	—			280/11.02"		<b>GEX693C</b>	<b>GEX8232</b>	<b>GEX8231</b>	<b>GEX833</b>
<b>GE1250E</b>	1250	1000	900						430/16.93"					
									620/24.41"					
<b>GE1600E</b>	1600	1000	900			—	<b>GEX7239N</b>		579/22.79"	<b>GEX1011M</b>	<b>GEX694C</b>	<b>GEX8141</b>	—	<b>GEX8141</b>
							<b>GEX7485N</b>		825/32.48"					
<b>GE2000E</b>	2000	1250	500	<b>GEX641NE</b>	<b>GEX641NC</b>	—	Included	—	602/23.7"		<b>GEX694C</b>	—	—	—
<b>GE2500E</b>	2500	1800	1250	<b>GEX69ND</b>	<b>GEX69NB</b>	—		—	938/36.9"		<b>GEX695C</b>	—	—	—
<b>GE3150E</b>	3150	1800	1400			—		—			<b>GEX695C</b>	—	—	—

#### Four-pole changeover switches IEC/EN/BS.

<b>GE0160ET4</b>	160	160	125	<b>GEX61E</b>	<b>GEX61NC</b>	—	<b>GEX7162N</b>	7mm/0.3"	269/10.59"	<b>GEX1011M</b>	<b>GEX690C</b>	<b>GEX8101</b>	⊕	<b>GEX8101</b>
<b>GE0200ET4</b>	200	160	125				<b>GEX7250N</b>		342/13.36"			⊕		
							<b>GEX7387N</b>		479/18.86"					
<b>GE0201ET4</b>	200	160	125	<b>GEX62NE</b>	<b>GEX62NC</b>	—	<b>GEX7227N</b>	10mm/0.4"	279/10.98"	<b>GEX1011</b>	<b>GEX691C</b>	<b>GEX8213</b>	<b>GEX8213</b>	<b>GEX8312</b>
<b>GE0250ET4</b>	250	180	150				<b>GEX7375N</b>		427/16.81"	<b>GEX1022</b>				
<b>GE0315ET4</b>	315	200	160				<b>GEX7536N</b>		588/23.15"					
<b>GE0400ET4</b>	400	250	200											
<b>GE0500ET4</b>	500	400	250	<b>GEX63NE</b>	<b>GEX63NC</b>	—	<b>GEX7195N</b>	14mm/0.6"	257/10.12"		<b>GEX692C</b>	<b>GEX8223</b>	<b>GEX8223</b>	<b>GEX8322</b>
<b>GE0630ET4</b>	630	500	315				<b>GEX7345N</b>		407/16.02"					
<b>GE0800ET4</b>	800	630	400				<b>GEX7535N</b>		597/23.50"					
<b>GE1000ET4</b>	1000	1000	800	<b>GEX64NE</b>	<b>GEX64NC</b>	—			280/11.02"		<b>GEX693C</b>	<b>GEX8233</b>	<b>GEX8233</b>	<b>GEX833</b>
<b>GE1250ET4</b>	1250	1000	900						430/16.93"					
									620/24.41"					
<b>GE1600ET4</b>	1600	1000	900			—	<b>GEX7239N</b>		579/22.79"	<b>GEX1011M</b>	<b>GEX694C</b>	<b>GEX8141</b>	—	<b>GEX8141</b>
							<b>GEX7485N</b>		825/32.48"					
<b>GE2000ET4</b>	2000	1250	500	<b>GEX641NE</b>	<b>GEX641NC</b>	—	Included	—	602/23.7"		<b>GEX694C</b>	—	—	—
<b>GE2500ET4</b>	2500	1800	1250	<b>GEX641NE</b>	<b>GEX641NC</b>	—		—	938/36.9"		<b>GEX695C</b>	—	—	—
<b>GE3150ET4</b>	3150	1800	1400			—		—			<b>GEX695C</b>	—	—	—

⊕ GEX8101 terminal cover protects the input of both Line 1 and Line 2; nothing else is required for Line 2.

### Summary table of combinations - Three-pole switch disconnectors

Three pole type ①	IEC conventional thermal current I <sub>th</sub>		IEC rated operational current I <sub>e</sub>		Direct operating handle	Door coupling handles		Shaft extensions for door coupling handles (the last 3 digits of GEX code indicate length in mm/in)		Auxiliary contacts 1NO/1NC	Type of fuse	Terminal covers for:	Phase barriers
	AC21A (≤500V)	AC23A (≤400V)	AC23A (≤500V)	Black	Black	Red/yellow	Exten. section	Max panel depth		Line/Load			

Switch disconnectors IEC/EN/BS.

<b>GE0160P</b> ②	160	160	125	<b>GEX65D</b>	<b>GAX66NB</b>	<b>GAX66N</b>	<b>GAX7150AN</b> ③	7mm/0.3"	214/8.42"	<b>GEX1011</b> <b>GEX1022</b>	—	④	—
<b>GE0160</b>	160	160	125				<b>GAX7200AN</b> ③	264/10.39"	<b>GEX8101</b>				
<b>GE0200</b>	200	160	125				<b>GAX7300AN</b> ③	364/14.33"					
<b>GE0250</b>	250	160	125				<b>GAX7400AN</b> ③	464/18.27"					
<b>GE0251</b>	250	250	200	<b>GEX66ND</b>	<b>GEX66NB</b>	<b>GEX66N</b>	<b>GEX7227N</b>	10mm/0.4"	267/10.51"	<b>GEX8111</b>			
<b>GE0315</b>	315	315	250				<b>GEX7375N</b>	415/16.34"					
<b>GE0400</b>	400	400	315				<b>GEX7536N</b>	576/22.68"					
<b>GE0500</b>	500	500	400	<b>GEX67ND</b>	<b>GEX67NB</b>	<b>GEX67N</b>	<b>GEX7195N</b>	14mm/0.6"	251/9.88"		<b>GEX8121</b>		
<b>GE0630</b>	630	630	500				<b>GEX7345N</b>	401/15.79"					
<b>GE0800</b>	800	800	500				<b>GEX7535N</b>	591/23.27"					
<b>GE1000</b>	1000	1000	800	<b>GEX68ND</b>	<b>GEX68NB</b>	<b>GEX68N</b>		267/10.51"	<b>GEX8131</b>				
<b>GE1250</b>	1250	1000	800					417/16.42"					
<b>GE1600</b>	1600	1000	900				<b>GEX7239N</b>	607/23.90"					
							<b>GEX7485N</b>	14mm/0.6"	399/15.71"	<b>GEX8141</b>			
								645/25.39"					

Switch disconnectors with NFC fuse holder IEC/EN/BS.

<b>GEF050F</b>	50	50	50	<b>GEF61DB</b>	<b>GEF61B</b>	<b>GEF61</b>	<b>GEF7177</b>	7mm/0.3"	248/9.76"	<b>GEFX1011</b> ④	14x51	—	—	
<b>GEF0100F</b>	100	100	80				<b>GEF7250</b>		321/12.63"					22x58
<b>GEF0125F</b>	125	125	125				<b>GEF7387</b>		458/18.03"		<b>GEFX800</b>			
									280/11.02"					
									353/13.89"					
									490/19.29"					

Switch disconnectors with NH fuse holder IEC/EN/BS.

<b>GEF0063N</b>	63	63	63	<b>GEF61DB</b>	<b>GEF61B</b>	<b>GEF61</b>	<b>GEF7177</b>	7mm/0.3"	270/10.63"	<b>GEFX1011</b> ④	000	—	—		
<b>GEF0100N</b>	100	100	80				<b>GEF7250</b>		343/13.5"		00			<b>GEFX800</b>	<b>GEFX900</b>
<b>GEF0125N</b>	125	125	125				<b>GEF7387</b>		480/18.89"						
<b>GEF0160N</b>	160	160	160 ⑤								1			<b>GEFX802</b>	<b>GEFX902</b>
<b>GEF0250N</b>	250	250	250	<b>GEF62DB</b>	<b>GEF62B</b>	<b>GEF62</b>	<b>GEF7227</b>	10mm/0.4"	341/32.32"	<b>GEX1011</b> <b>GEX1022</b>	2	<b>GEX8221/</b> <b>GEX8222</b>			
<b>GE0400N</b>	400	400	400	<b>GEX63D</b>	<b>GEX67NB</b>	<b>GEX67N</b>	<b>GEF7375</b>	14mm	489/19.25"						
							<b>GEF7536</b>	650/25.59"							
							<b>GEX7195N</b>	271/10.67"	3				<b>GEX8231/</b> <b>GEX8232</b>		
<b>GE0630N</b>	630	630	630	<b>GEX64D</b>	<b>GEX68NB</b>	<b>GEX68N</b>	<b>GEX7345N</b>	421/16.57"							
<b>GE0800N</b>	800	630	630				<b>GEX7535N</b>	611/24.05"							
								285/11.22"							
								435/17.12"							
								625/24.61"							

① The motorised control unit cannot be installed.

② Standard supplied with IP20 terminal protection warranted by wired equipment with only maximum conductor section of 95mm<sup>2</sup>. Suitable for mounting on 35mm DIN rail, GEX8900 kit is available on page 14-47.

③ Extension length for type GAX7150AN is 186mm/7.32", type GAX7200AN 236mm/9.29", type GAX7300AN 336mm/13.23", type GAX7400AN 436mm/17.16" and type GAX7500AN 536mm/21.10".

④ Refer to page 14-47 to select the right GEFX10S... mounting support.

⑤ 160A AC23B (≤415V).

### Summary table of combinations - Four-pole switch disconnectors

Three pole type ①	IEC conventional thermal current Ith			IEC rated operational current Ie			Direct operating handle			Door coupling handles			Shaft extensions for door coupling handles (the last 3 digits of GEX code indicate length in mm/in)		Auxiliary contacts 1NO/1NC	Type of fuse	Terminal covers for: 	Phase barriers 
	AC21A (≤500V)	AC23A (≤400V)	AC23A (≤500V)	Black	Black	Red/yellow	Exten. section	Max panel depth	Order code	Order code	Order code	Order code	Order code					

Switch disconnectors IEC/EN/BS.

Order code	[A]	[A]	[A]	Order code	Order code	Order code	Order code	□	[mm/in]	Order code		Order code	Order code
<b>GE0160T4P</b> ②	160	160	125	<b>GEX65D</b>	<b>GAX66NB</b>	<b>GAX66N</b>	<b>GAX7150AN</b> ③	7mm/0.3"	214/8.42"	<b>GEX1011</b>	—	<b>GEX8101</b>	—
<b>GE0160T4</b>	160	160	125				<b>GAX7200AN</b> ③		264/10.39"	<b>GEX1022</b>			
<b>GE0200T4</b>	200	160	125				<b>GAX7300AN</b> ③		364/14.33"				
<b>GE0250T4</b>	250	160	125				<b>GAX7400AN</b> ③		464/18.27"				
							<b>GAX7500AN</b> ③		564/22.20"				
<b>GE0251T4</b>	250	250	200	<b>GEX66ND</b>	<b>GEX66NB</b>	<b>GEX66N</b>	<b>GEX7227N</b>	10mm/0.4"	267/10.51"			<b>GEX8111</b>	
<b>GE0315T4</b>	315	315	250				<b>GEX7375N</b>		415/16.34"				
<b>GE0400T4</b>	400	400	315				<b>GEX7536N</b>		576/22.68"				
<b>GE0500T4</b>	500	500	400	<b>GEX67ND</b>	<b>GEX67NB</b>	<b>GEX67N</b>	<b>GEX7195N</b>	14mm/0.6"	251/9.88"			<b>GEX8121</b>	
<b>GE0630T4</b>	630	630	500				<b>GEX7345N</b>		401/15.79"				
<b>GE0800T4</b>	800	800	500				<b>GEX7535N</b>		591/23.27"				
<b>GE1000T4</b>	1000	1000	800	<b>GEX68ND</b>	<b>GEX68NB</b>	<b>GEX68N</b>			267/10.51"			<b>GEX8131</b>	
<b>GE1250T4</b>	1250	1000	800						417/16.42"				
									607/23.90"				
<b>GE1600T4</b>	1600	1000	900				<b>GEX7239N</b>	14mm/0.6"	399/15.71"			<b>GEX8141</b>	
							<b>GEX7485N</b>		645/25.39"				

Switch disconnectors with NFC fuse holder IEC/EN/BS.

Order code	[A]	[A]	[A]	Order code	Order code	Order code	Order code	□	[mm/in]	Order code		Order code	Order code
<b>GEF0050FT4</b>	50	50	50	<b>GEFX61DB</b>	<b>GEFX61B</b>	<b>GEFX61</b>	<b>GEFX7177</b>	7mm/0.3"	248/9.76"	<b>GEFX1011</b>	14x51	—	—
<b>GEF0100FT4</b>	100	100	80				<b>GEFX7250</b>		321/12.63"	①	22x58		
<b>GEF0125FT4</b>	125	125	125				<b>GEFX7387</b>		458/18.03"			<b>GEFX801</b>	<b>GEFX901</b>
									280/11.02"				
									353/13.89"				
									490/19.29"				

Switch disconnectors with NH fuse holder IEC/EN/BS.

Order code	[A]	[A]	[A]	Order code	Order code	Order code	Order code	□	[mm/in]	Order code		Order code	Order code
<b>GEF0063NT4</b>	63	63	63	<b>GEFX61DB</b>	<b>GEFX61B</b>	<b>GEFX61</b>	<b>GEFX7177</b>	7mm/0.3"	270/10.63"	<b>GEFX1011</b>	000	—	—
<b>GEF0100NT4</b>	100	100	80				<b>GEFX7250</b>		343/13.5"	①	00	<b>GEFX801</b>	<b>GEFX901</b>
<b>GEF0125NT4</b>	125	125	125				<b>GEFX7387</b>		480/18.89"				
<b>GEF0160NT4</b>	160	160	160 ④										
<b>GEF0250NT4</b>	250	250	250	<b>GEFX62DB</b>	<b>GEFX62B</b>	<b>GEFX62</b>	<b>GEFX7227</b>	10mm/0.4"	341/32.32"		1	<b>GEFX803</b>	<b>GEFX903</b>
							<b>GEFX7375</b>		489/19.25"				
							<b>GEFX7536</b>		650/25.59"				
<b>GE0400NT4</b>	400	400	400	<b>GEX63D</b>	<b>GEX67NB</b>	<b>GEX67N</b>	<b>GEX7195N</b>	14mm	271/10.67"	<b>GEX1011</b>	2	<b>GEX8221/</b>	—
							<b>GEX7345N</b>		421/16.57"	<b>GEX1022</b>		<b>GEX8222</b>	
							<b>GEX7535N</b>		611/24.05"				
<b>GE0630NT4</b>	630	630	630	<b>GEX64D</b>	<b>GEX68NB</b>	<b>GEX68N</b>			285/11.22"		3	<b>GEX8231/</b>	
<b>GE0800NT4</b>	800	630	630						435/17.12"			<b>GEX8232</b>	
									625/24.61"				

① The motorised control unit cannot be installed.  
 ② Standard supplied with IP20 terminal protection warranted by wired equipment with only maximum conductor section of 95mm². Suitable for mounting on 35mm DIN rail, GEX8900 kit is available on page 14-47.  
 ③ Extension length for type GAX7150AN is 186mm/7.32", type GAX7200AN 236mm/9.29", type GAX7300AN 336mm/13.23", type GAX7400AN 436mm/17.16" and type GAX7500AN 536mm/21.10".  
 ④ Refer to page 14-47 to select the right GEFX10S... mounting support.  
 ⑤ 160A AC23B (≤415V).

### Three-pole disconnect switches with fuse holder (UL98)



GMF...030C12



GMFJ100C03



GMFJ400C03



GMFL800C03

Order code	General purpose current	UL fuse type	Command pole position	Qty per pkg	Wt
	[A]	[A]		n°	[kg]

Supplied without handle.  
Complete the disconnect switch by selecting shaft extension and handle for door coupling version or the handle for direct operating version (see page 12-53).

<b>GMFC030C12</b>	30	CC	Central	1	0.700
<b>GMFJ030C12</b>	30	J	Central	1	0.700
<b>GMFJ060C12</b>	60	J	Central	1	1.135
<b>GMFJ060C03</b>	60	J	Left	1	1.135
<b>GMFJ100C03</b>	100	J	Left	1	1.815
<b>GMFJ200C03</b>	200	J	Left	1	3.000
<b>GMFJ400C03</b>	400	J	Left	1	6.800
<b>GMFJ600C03</b>	600	J	Left	1	13.00
<b>GMFL800C03</b>	800	L	Left	1	13.00

#### UL/CSA ratings

Type	1 phase [HP]		3 phase [HP]			Short-circuit rating at 600VAC [kA]	Fuse type	
	120V	240V	240V	480V	600V		[A]	[class]
GMFC030C12	2	3	7.5	15	20	200	30	CC
GMFJ030C12	2	3	7.5	15	20	200	30	J
GMFJ060C12	-	-	15	30	50	200	60	J
GMFJ060C03	-	-	15	30	50	200	60	J
GMFJ100C03	-	-	30	60	75	200	100	J
GMFJ200C03	-	-	60	125	150	200	200	J
GMFJ400C03	-	-	125	250	350	200	400	J
GMFJ600C03	-	-	200	400	500	200	600	J
GMFL800C03	-	-	250	500	500	200	800	L

### Add-on blocks and accessories



GMX1010



GMX3...



GMX800  
GMX801  
GMX802



GMX303  
GMX804



GMX5...



GMXFM...

- ① Only for GMF...030 types.
- ② For all GM switch disconnectors. Suitable for 1 or 3 phase circuits. Includes 1 NO and 1 NC auxiliary contacts and red/green LED lights for indication.

Order	Description	Qty per pkg	Wt
		n°	[kg]

Auxiliary contacts, mounting to the switch mechanism.

<b>GMX1011</b> ①	1NO/NC changeover	1	0.020
<b>GMX1010</b>	1NO	1	0.030
<b>GMX1001</b>	1NC	1	0.030

Module for auxiliary contacts mounting on the side of the switch mechanism.

<b>GMX33</b>	For GMF...030 types	1	0.060
<b>GMX34</b>	For GMF...60 to GMF...800 types	1	0.065

Terminal covers.

<b>GMX800</b>	3-piece set, each covers 1 pole for GMFJ100C03	1	0.080
<b>GMX801</b>	3-piece set, each covers 1 pole for GMFJ200C03	1	0.090
<b>GMX802</b>	1-piece set, covers 3 poles for GMFJ400C03	1	0.08
<b>GMX803</b>	1-piece set, covers 3 poles for GMFJ600C03	1	0.080
<b>GMX804</b>	1-piece set, covers 3 poles for GMFL800C03	1	0.080

Terminal clamp sets for rigid and flexible cables.

<b>GMX500</b>	6-piece set for GMFJ100C03	1	0.200
<b>GMX501</b>	6-piece set for GMFJ200C03	1	0.200
<b>GMX502</b>	6-piece set for GMFJ400C03	1	0.500
<b>GMX503</b>	6-piece set for GMFJ400C03	1	1.000
<b>GMX504</b>	6-piece set for GMFJ600C03 and GMFL800C03	1	1.600

Fuse monitor modules ②.

<b>GMXFM1</b>	Rated voltage 120...240V	1	0.145
<b>GMXFM2</b>	Rated voltage 380...600V	1	0.140

Crimp terminals for fuse monitor GMXF... cables.

<b>GMX505</b>	6-piece set. Terminal size 2.8-0.8mm/0.11-0.03"	1	0.004
---------------	---	---	-------

#### General characteristics

- General purpose current according to UL98: 30A to 800A
- Compact dimensions
- Available versions: direct operating and door coupling
- Screw or 35mm DIN rail fixing for GMF...030 types
- Possibility to adjust the position of the clips for fixing screw on plate for GMF...060 to GMF...800 types.

#### Operational characteristics

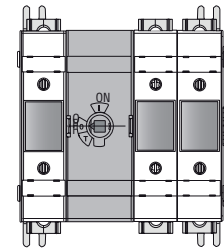
- IEC rated insulation voltage  $U_i$ : 1000V
- UL max operating voltage: 600V
- IEC rated impulse withstand  $U_{imp}$ : 12kV
- Mechanical life:
  - 10,000 cycles for GMF...030 and GMF...060
  - 8,000 cycles for GMFJ100C03 and GMFJ200C03
  - 5,000 cycles for GMFJ400C03 and GMFJ600C03
  - 3,000 cycles for GMFL800C03.

#### Certifications and compliance

Certifications obtained: cULus according to UL98 / CSA C22.2 n°4.  
Compliant with standards: IEC/EN/BS 60947-3, IEC/EN/BS 60947-1.

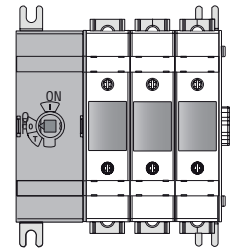
#### GMF...C12 type

Central command pole



#### GMF...C03 type

Left command pole



#### Operational characteristics of auxiliary contacts GMX1011

- IEC conventional free air thermal current  $I_{th}$ : 10A
- IEC rated insulation voltage: 400V
- Conductivity: 12V, 25mA
- Tightening torque: 0.8Nm/7.1lb.in
- Maximum 6 contacts for GMF...030 disconnect switches.

#### Operational characteristics of auxiliary contacts GMX1010/01

- IEC/EN/BS and UL conventional free air thermal current  $I_{th}$ : 16A and 10A
- IEC/EN/BS and UL rated insulation voltage: 690V/600V
- Conductivity: 24V, 10mA
- UL/CSA and IEC/EN/BS 60947-5-1 designation: A600 R300
- Tightening torque: 0.8Nm/7.1lb.in
- Maximum 8 contacts for GMF...060 to GMFL800 switch disconnectors.

#### Operational characteristics for terminal clamps

- Minimum and maximum conductor cross section:
  - GMX500: 2.5...70mm<sup>2</sup> / 14-2/0AWG
  - GMX501: 25...150mm<sup>2</sup> / 4-300Kcmil
  - GMX502: 35...300mm<sup>2</sup> / 2-600Kcmil
  - GMX503: 2x 35...150mm<sup>2</sup> / 2x 6-300Kcmil
  - GMX504: 2x 35...300mm<sup>2</sup> / 2x 2-600Kcmil
- Tightening torque:
  - GMX500: 13Nm / 120lb.in.
  - GMX501: 22Nm / 200lb.in.
  - GMX502: 42Nm / 375lb.in.
  - GMX503: 22Nm / 200lb.in.
  - GMX504: 22.6Nm / 200lb.in.

#### Operational characteristics for terminal covers

- Snap-on mounting.

#### Certifications and compliance

Certifications obtained: cULus for GMX1010, GMX1001, GMXFM1 and GMXFM2.  
Compliant with standards: IEC/EN/BS 60947-3, IEC/EN/BS 60947-1.

# 14 Fusible disconnect switches (UL98)

GM series 30A to 800A.  
Accessories

## Handles and shafts



GMX62DB



GMX62



GLX00



GMX7...S06

## NFPA handle



GMX61NFPA



GMXCL...



GMX30

Order code	Characteristics	Qty per pkg	Wt
		n°	[kg]
Direct operating handles.			
<b>GMX61DB</b>	For GMF...030. Black	1	0.050
<b>GMX62DB</b>	For GMFJ060...GMFJ200. Black	1	0.150
<b>GMX63DB</b>	For GMFJ400. Black	1	0.350
<b>GMX64DB</b>	For GMFJ600...GMFL800. Black	1	1.100

Door coupling handles.			
<b>GAX66N</b>	For GMF...030...GMFJ200. Screw fixing. 65mm/2.56" lever length pistol handle - defeatable (req. UL508A). Red/yellow. □ 6mm/0.24"	1	0.050
<b>GAX66NB</b>	For GMF...030...GMFJ200. Screw fixing. 65mm/2.56" lever length pistol handle - defeatable (req. UL508A). Black. □ 6mm/0.24"	1	0.050
<b>GMX61</b>	For GMFJ400. Screw fixing. 125mm/4.92" lever length pistol handle - defeatable (req. UL508A). Red/yellow. □ 12mm/0.47"	1	0.050
<b>GMX61B</b>	For GMFJ400. Screw fixing. 125mm/4.92" lever length pistol handle - defeatable (req. UL508A). Black. □ 12mm/0.47"	1	0.200
<b>GMX62</b>	For GMFJ600...GMFL800. Screw fixing. 175mm/6.89" lever length pistol handle - defeatable (req. UL508A). Red/yellow. □ 12mm/0.47"	1	0.200
<b>GMX62B</b>	For GMFJ600...GMFL800. Screw fixing. 175mm/6.89" lever length pistol handle - defeatable (req. UL508A). Black. □ 12mm/0.47"	1	0.200

Accessories for door coupling handles.			
<b>GLX00</b>	Shaft alignment ring	1	0.040
Shaft extensions for door coupling handles GAX66N and GAX66NB types.			
<b>GMX7150S06</b>	150mm/5.90", □ 6mm/0.24"	1	0.120
<b>GMX7300S06</b>	300mm/11.81", □ 6mm/0.24"	1	0.155
Shaft extensions for door coupling handles GMX61, GMX61B, GMX62 and GMX62B types.			
<b>GMX7150S12</b>	150mm/5.90", □ 12mm/0.47"	1	0.240
<b>GMX7300S12</b>	300mm/11.81", □ 12mm/0.47"	1	0.280
<b>GMX7500S12</b>	500mm/19.68", □ 12mm/0.47"	1	0.310

Order code	Characteristics	Qty per pkg	Wt
		n°	[kg]
Flange handle.			
<b>GMX61NFPA</b>	For GMF...030...GMFJ200. NEMA 4, 4X. Black	1	1.850
Flexible connection cables for GMX61NFPA.			
<b>GMXCL36</b>	Cable length 914mm/36"	1	0.400
<b>GMXCL48</b>	Cable length 1220mm/48"	1	0.500
<b>GMXCL60</b>	Cable length 1520mm/60"	1	0.550
<b>GMXCL72</b>	Cable length 1828mm/72"	1	0.650
Support and operating mechanism for GMX61NFPA.			
<b>GMX30</b>	For GMF...030	1	0.830
<b>GMX31</b>	For GMFJ060C12	1	1.180
<b>GMX32</b>	For GMF...060...GMFJ200	1	1.520

### Operational characteristics for direct operating handles

- Screw fixing on disconnect switches
- 1 to 3 padlocks in the Ø5...6.2mm/0.2...0.24".

### Operational characteristics for door coupling handles

- Handle fixing centres: 28x40mm/1.1x1.57"
- 1 to 3 padlocks in the Ø4...8mm/0.16...0.31" for all handles
- Tightening torque: 1.5Nm/13.3lb.in
- Degree of protection: IP66 and NEMA 4X per UL.

NOTE: the handles type GAX66N, GAX66NB, GMX61, GMX61B, GMX62, GMX62B are in accordance with UL/CSA Type 1, 2, 3R, 12, 12K, 4, 4X for external use.

### Certifications and compliance

Certifications obtained: cULus for GMX62DB, GMX63DB, GMX64DB, GAX66N, GAX66NB, GMX61, GMX61B, GMX62, GMX62B, GLX00, GMX7...  
Compliant with standards: IEC/EN/BS 60947-1, IEC/EN/BS 60947-3.

### General characteristics for NFPA handle

The GMX61NFPA lever handle complies with the requirements of the North American NFPA79 standard. This standard requires that the switch disconnecter can be operated without accessories or tools whether the door is closed or open. In case of operation with an open door, a device is integrated into the GMX61NFPA handle to prevent it from being activated unless a voluntary action is taken to unlock it.

### Certifications and compliance

Certifications obtained: cURus for GMX61NFPA.  
Compliant with standards: IEC/EN/BS 60947-1, IEC/EN/BS 60947-3.

## Switch disconnectors IEC/EN/BS GA series



GA040D



GAX42...D

Order code	IEC conventional free air thermal current Ith	IEC rated operational current Ie DC21B			Qty per pkg	Wt [kg]
		3 poles 500V	4 poles 600V	800V		
[A]	[A]	[A]	[A]	[A]	n°	[kg]

Switch disconnector complete with black handle.

<b>GA040D</b>	40	12	—	—	1	0.135
---------------	----	----	---	---	---	-------

Fourth pole.

<b>GAX42040D</b>	40	—	20	15	1	0.040
------------------	----	---	----	----	---	-------

- ① Connection of 4 poles in series.
- ② For other operational voltages, refer to technical characteristics on page 12-97.

## Switch disconnectors IEC/EN/BS GD series



GD040AT4

Order code	IEC conventional free air thermal current Ith	IEC rated operational current Ie DCPV1				Qty per pkg	Wt [kg]
		≤800V	1000V	1200V	1500V		
[A]	[A]	[A]	[A]	[A]	[A]	n°	[kg]

Switch disconnector complete with black handle.

<b>GD025AT2</b>	25	25	16	—	—	1	0.140
-----------------	----	----	----	---	---	---	-------

<b>GD025AT3</b>	25	25	25	—	—	1	0.180
-----------------	----	----	----	---	---	---	-------

<b>GD032AT3</b>	32	32	32	—	—	1	0.180
-----------------	----	----	----	---	---	---	-------

<b>GD032AT4</b>	32	32	32	25	20	1	0.220
-----------------	----	----	----	----	----	---	-------

<b>GD040AT3</b>	40	40	32	—	—	1	0.180
-----------------	----	----	----	---	---	---	-------

<b>GD040AT4</b>	40	40	40	32	25	1	0.220
-----------------	----	----	----	----	----	---	-------

## Plastic enclosed switch disconnectors IEC/EN/BS IP65



GAZ016DT2



GAZ040DT4

Order code	IEC conventional thermal current Ith	IEC rated operational current Ie DCPV1				Qty per pkg	Wt [kg]
		≤800V	1000V	1200V	1500V		
[A]	[A]	[A]	[A]	[A]	[A]	n°	[kg]

With red/yellow handle.

<b>GAZ025DT2</b>	25	25	16	—	—	1	0.450
------------------	----	----	----	---	---	---	-------

<b>GAZ032DT3</b>	32	32	32	—	—	1	1.050
------------------	----	----	----	---	---	---	-------

<b>GAZ040DT4</b>	40	40	40	32	25	1	1.050
------------------	----	----	----	----	----	---	-------

With black handle.

<b>GAZ025DT2B</b>	25	25	16	—	—	1	0.450
-------------------	----	----	----	---	---	---	-------

<b>GAZ032DT3B</b>	32	32	32	—	—	1	1.050
-------------------	----	----	----	---	---	---	-------

<b>GAZ040DT4B</b>	40	40	40	32	25	1	1.050
-------------------	----	----	----	----	----	---	-------

### General characteristics

- Up to 40A (1000VDC) and 32A (1200VDC)
- Modular construction
- Jumpers for connecting the poles in series supplied as standard with disconnectors GD series...
- Available versions:
  - Direct operating
  - Door coupling version. Use switch disconnector with direct actuator and separately purchase the handle and shaft extension for this version. See pages 14-18 to 14-20
- Screw or 35mm DIN rail fixing
- Padlockable in 0 position with no extra accessory.

### Operational characteristics

- Rated insulation voltage for GA...D and GD... Ui: 1000V (pollution degree 3)
- Rated insulation voltage for GD... Ui: 1500V (pollution degree 2)
- Rated impulse withstand Uimp: 8kV
- Mechanical life:
  - 100,000 cycles GA040D
  - 10,000 cycles GD...
- Operating temperature: -25°C...+55°C
- Storage temperature: -40°C...+70°C
- Degree of protection: IP20 (only for GA040D).

### Certifications and compliance

Certifications obtained: UL Listed for USA and Canada (cULus - File E93602) as Manual Motor Controllers, to UL508/CSA C22.2 n° 14 for GA040D and GAX42040D; EAC for GA...D.  
Compliant with standards: IEC/EN/BS 60947-3, IEC/EN/BS 60947-1.

Strokes of GA...D types (main poles and add-on pole)

	Travel 0→1	0°	30°	60°	90°
GA040D Main poles				60°	
GAX42040D Simultaneous fourth-pole add on				60°	

### Components

Enclosure	Switch disconnector	Handle included with GAZ...
GAZ1	GD025AT2	GAX61
GAZ2	GD032AT3	GAX61
GAZ2	GD040AT4	GAX61

GAZ1B	GD025AT2	GAX61B
GAZ2B	GD032AT3	GAX61B
GAZ2B	GD040AT4	GAX61B

③ For further details contact our Technical support; see contact details on inside front cover.

### General characteristics

- Enclosure material: ABS
- Possible accessories to mount afterwards, if any required:
  - GAX30 to provide shielded cable connection continuity (e.g. with static converters)
- Padlockable handles
- Sealable cover
- Tightening torque for cover screws:
  - GAZ025...: 1.3Nm/16lb.in
  - Other types: 1.5Nm/13lb.in.
- Degree of protection: IP65
- Cable entry:
  - GAZ025... types: PG16/M25 and PG13.5/M20 knockouts
  - GAZ032... and GAZ040... types: PG16/M25 and PG29/M32 knockouts.

### Certifications and compliance

Certifications obtained: EAC  
Compliant with standards: IEC/EN/BS 60947-3, IEC/EN/BS 60947-1.

## Switch disconnectors IEC/EN/BS GLD series



GLD...T2C3

**new**

Order code	IEC conventional free air thermal current Ith	IEC rated operational current Ie DCPV1			Qty per pkg	Wt [kg]
		800V [A]	1000V [A]	1500V [A]		
	[A]	[A]	[A]	[A]	n°	[kg]

Direct operating and door coupling versions.  
Separately purchase the handle and shaft extension.

<b>GLD0100T2C3</b>	100	100	100	-	1	1.340
<b>GLD0160T2C3</b>	160	160	160	-	1	1.340
<b>GLD0200T2C3</b>	200	200	200	-	1	1.340
<b>GLD0250T2C3</b>	250	250	250	-	1	1.340
<b>GLD0315T2C3</b>	315	315	250	-	1	1.340
<b>GLD0100T4C3</b>	100	100	100	100	1	2.140
<b>GLD0160T4C3</b>	160	160	160	160	1	2.140
<b>GLD0200T4C3</b>	200	200	200	200	1	2.140
<b>GLD0250T4C3</b>	250	250	250	250	1	2.140
<b>GLD0315T4C3</b>	315	315	315	315	1	2.140

**Selection of handles and accessories GLD series**  
Refer to the combinations given on page 14-56 and 57 for a correct choice based on the switch disconnector type used.

### General characteristics

- Up to 315A 1500V DCPV1
- Up to 100A 1000V DCPV2 for GLD0315T2C3 and up to 125A 1500V DCPV2 for GLD0315T4C3
- Available versions:
  - Direct operating
  - Door coupling version. Use switch disconnector with direct actuator and separately purchase the handle and shaft extension for this version. See pages 14-56 and 57
- Screw or 35mm DIN rail fixing
- Padlockable in 0 position with no extra accessory.

### Operational characteristics

- IEC rated insulation voltage Ui: 1000V for GLD...T2...; 1500V for GLD...T4...
- Mechanical life: 20,000 cycles.

### Certifications and compliance

Certifications obtained: UL Listed for GLD...UL.  
Compliant with standards: IEC/EN/BS 60947-1, IEC/EN/BS IEC/EN/BS 60947-3, UL98B.

## Switch disconnectors UL98B GLD series

**UL**



GLD...T4C3UL

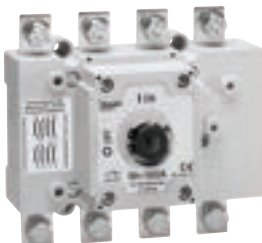
**new**

Order code	General purpose current		Qty per pkg	Wt [kg]
	1000V [A]	1500V [A]		
	[A]	[A]	n°	[kg]

Direct operating and door coupling versions.  
Separately purchase the handle and shaft extension.

<b>GLD0100T2C3UL</b>	100	-	1	1.340
<b>GLD0200T2C3UL</b>	200	-	1	1.340
<b>GLD0100T4C3UL</b>	100	100	1	2.140
<b>GLD0200T4C3UL</b>	200	200	1	2.140

## Switch disconnectors IEC/EN/BS GE series



GE...DT4

Order code	IEC conventional free air thermal current Ith	IEC rated operational current Ie DC21B			Qty per pkg	Wt [kg]
		220V [A]	800V [A]	1000V [A]		
	[A]	[A]	[A]	[A]	n°	[kg]

Direct operating and door coupling versions.  
Separately purchase the handle and shaft extension.

<b>GE0630DT4</b>	630	630	600	500	1	4.500
<b>GE0800DT4</b>	800	800	630	630	1	4.500
<b>GE1250DT4</b>	1250	1250	1000	850	1	8.900

① Connection of 4 poles in series.

**Selection of handles and accessories GE series**  
Refer to the combinations given on page 14-56 and 57 for a correct choice based on the switch disconnector type used.

### General characteristics

- Up to 850A, 1000VDC
- Available versions:
  - Direct operating
  - Door coupling version. Use switch disconnector with direct actuator and separately purchase the handle and shaft extension for this version. See page 14-48
- Screw fixing
- Padlockable in 0 position with no extra accessory.

### Operational characteristics

- IEC rated insulation voltage Ui: 1000V
- Mechanical life: 10,000 cycles.

### Certifications and compliance

Certifications obtained: EAC.  
Compliant with standards: IEC/EN/BS 60947-1, IEC/EN/BS 60947-3.

# 14 Switch disconnectors

For photovoltaic applications

## Summary table of combinations - Switch disconnectors for photovoltaic applications GL series



### IEC/EN/BS



Type	IEC conventional free air thermal current I <sub>th</sub>	IEC rated operational current I <sub>e</sub> DCPV1			Direct operating handle	
		800V	1000V	1500V	Black	Red/Yellow
Order code	[A]	[A]	[A]	[A]	Order code	Order code
IEC/EN/BS switch disconnectors for photovoltaic applications.						
<b>GLD0100T2C3</b>	100	100	100	–	<b>GLX61DB</b>	<b>GLX61D</b>
<b>GLD0160T2C3</b>	160	160	160	–		
<b>GLD0200T2C3</b>	200	200	200	–		
<b>GLD0250T2C3</b>	250	250	250	–		
<b>GLD0315T2C3</b>	315	315	250	–		
<b>GLD0100T4C3</b>	100	100	100	160		
<b>GLD0160T4C3</b>	160	160	160	160		
<b>GLD0200T4C3</b>	200	200	200	200		
<b>GLD0250T4C3</b>	250	250	250	250		
<b>GLD0315T4C3</b>	315	315	315	315		

ⓘ Maximum conductor cross section: 120mm<sup>2</sup>/250kcmil.  
Minimum conductor cross section: 16mm<sup>2</sup>/6AWG.

### UL



Type	General purpose current	Direct operating handle			
		1000V	1500V	Black	Red/Yellow
Order code	[A]	[A]		Order code	Order code
UL98B switch disconnectors for photovoltaic applications.					
<b>GLD0100T2C3UL</b>	100	–		<b>GLX61DB</b>	<b>GLX61D</b>
<b>GLD0200T2C3UL</b>	200	–			
<b>GLD0100T4C3UL</b>	100	100			
<b>GLD0200T4C3UL</b>	200	200			

ⓘ Maximum conductor cross section: 152mm<sup>2</sup>/300kcmil.  
Minimum conductor cross section: 16mm<sup>2</sup>/6AWG.

## Summary table of combinations - Switch disconnectors for photovoltaic applications GE series



### IEC/EN/BS



Type ⓘ	IEC conventional free air thermal current I <sub>th</sub>	IEC rated operational current I <sub>e</sub> DC21B with 4 poles in series			Direct operating handle
		600V	800V	1000V	Black
Order code	[A]	[A]	[A]	[A]	Order code
Switch disconnectors for photovoltaic applications.					
<b>GE0630DT4</b>	630	630	600	500	<b>GEX67ND</b>
<b>GE0800DT4</b>	800	700	630	630	
<b>GE1250DT4</b>	1250	1250	1000	850	<b>GEX68ND</b>

ⓘ The motorised control unit cannot be installed.

# 14 Switch disconnectors

For photovoltaic applications



Door coupling handle		Shaft extensions for door coupling handles			Shaft alignment ring	Auxiliary contacts	Terminal covers	Phase barriers (standard supplied)	Terminal lugs	Bridging bars (standard supplied)	Captive nuts
Black	Red/Yellow	Panel depth		Shaft section	Order code	Order code	Order code	Order code	Order code	Order code	Order code
Order code	Order code	min [mm/in]	min [mm/in]	□ [mm/in]							
<b>GLX61B</b>	<b>GLX61</b>	<b>GLX7150S10</b> <b>GLX7200S10</b> <b>GLX7300S10</b> <b>GLX7400S10</b> <b>GLX7500S10</b>	124/4.88"	194/7.64" 244/9.61" 344/13.54" 444/17.48" 544/21.42"	10/0.4"	<b>GLX00</b>	<b>GLX1001</b> (1NC) <b>GLX1010EA</b> (1EB)	<b>GLX801</b> (4 pcs)  <b>GLX801</b> (4 pcs) <b>GLDX800</b> (2 pcs)	-  <b>GLDX900</b> (2 pcs)	-  <b>GLDX201</b> (2 pcs)	<b>GLDX550</b> (4 pcs)



Door coupling handle		Shaft extensions for door coupling handles			Shaft alignment ring	Auxiliary contacts	Terminal covers	Phase barriers (standard supplied)	Terminal lugs	Bridging bars (standard supplied)	Captive nuts
Black	Red/Yellow	Panel depth		Shaft section	Order code	Order code	Order code	Order code	Order code	Order code	Order code
Order code	Order code	min [mm/in]	min [mm/in]	□ [mm/in]							
<b>GLX61B</b>	<b>GLX61</b>	<b>GLX7150S10</b> <b>GLX7200S10</b> <b>GLX7300S10</b> <b>GLX7400S10</b> <b>GLX7500S10</b>	124/4.88"	194/7.64" 244/9.61" 344/13.54" 444/17.48" 544/21.42"	10/0.4"	<b>GLX00</b>	<b>GLX1001</b> (1NC) <b>GLX1010EA</b> (1EB)	<b>GLX801</b> (4 pcs)  <b>GLX801</b> (4 pcs) <b>GLDX800</b> (2 pcs)	-  <b>GLDX901</b> (2 pcs)	-  <b>GLDX201</b> (2 pcs)	<b>GLDX550</b> (4 pcs)



Door coupling handle		Shaft extensions for door coupling handles			Auxiliary contacts	Terminal covers
Black	Red/Yellow	Panel depth		Shaft section	Order code	Order code
Order code	Order code	Order code	max [mm/in]	□ [mm/in]		
<b>GEX67NB</b>	<b>GEX67N</b>	<b>GEX7195N</b> <b>GEX7345N</b> <b>GEX7535N</b>	251/9.88" 401/15.79" 591/23.27"	14mm/0.6"	<b>GEX1011</b> (1NO+1NC) <b>GEX1022</b> (2NO+2NC)	<b>GEX8121</b>
<b>GEX68NB</b>	<b>GEX68N</b>	<b>GEX7195N</b> <b>GEX7345N</b> <b>GEX7535N</b>	267/10.51" 417/16.42" 607/23.90"			<b>GEX8131</b>

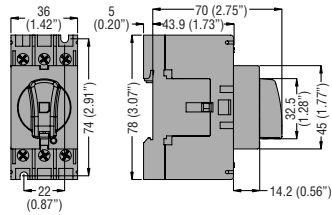
# 14 Switch disconnectors

Dimensions [mm(in)]

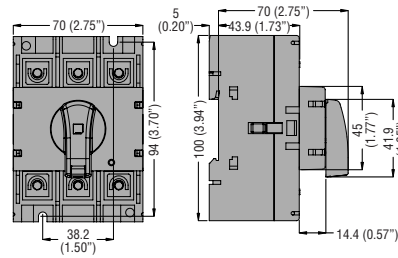
## GA SERIES - 16A TO 160A SWITCH DISCONNECTORS

Direct operating version

**GA016A...GA040A...  
GA063SA...**

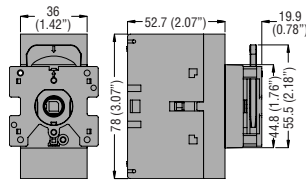


**GA030A... - GA063A...GA160A...**

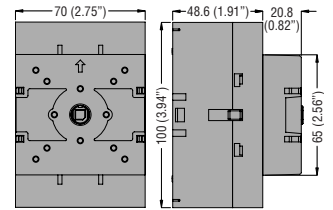


Door mount version

**GA016C...GA040C  
GA063SC**



**GA030C - GA063C...GA160C**

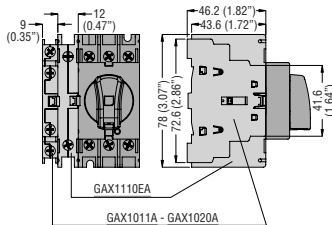


## ADD-ON BLOCKS AND ACCESSORIES

For GA016A...GA040A..., GA063SA..., GA040D

Auxiliary contacts

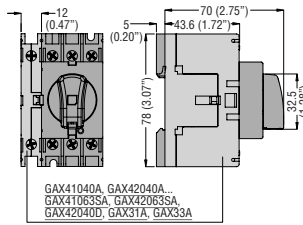
**GAX1011A  
GAX1020A  
GAX1110EA**



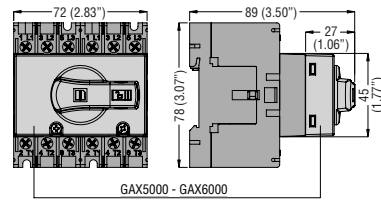
Fourth pole

**GAX41040A - GAX42040A  
GAX41063SA - GAX42063SA**

Neutral **GAX31A** - earth/ground **GAX33A** terminals



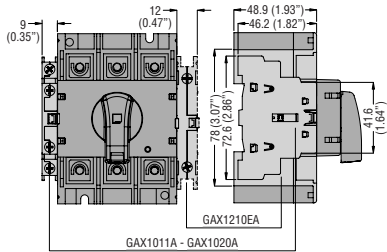
Mechanical interlock **GAX5000** and mechanical coupling system **GAX6000**



For GA063A...GA160A

Auxiliary contacts

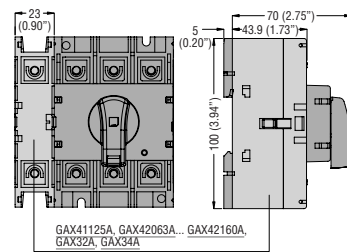
**GAX1011A  
GAX1020A  
GAX1210EA**



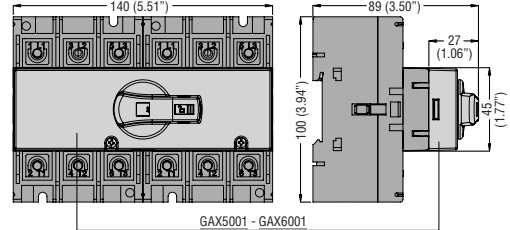
Fourth pole

**GAX41125A  
GAX42063A...GAX42160A**

Neutral **GAX32A** - earth/ground **GAX34A** terminals

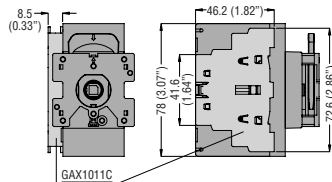


Mechanical interlock **GAX5001** and mechanical coupling system **GAX6001**



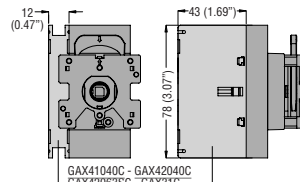
For GA016C...GA040C and GA063SC

Auxiliary contacts  
**GAX1011C**



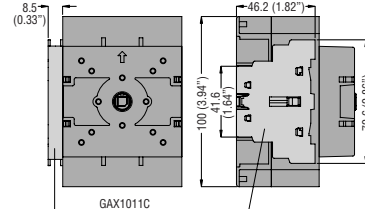
Fourth pole **GAX41040C - GAX42040C** and **GAX42063C**

Neutral **GAX31C**  
Earth/ground **GAX33C** terminals



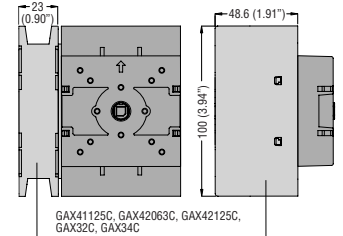
For GA063C...GA160C

Auxiliary contacts  
**GAX1011C**



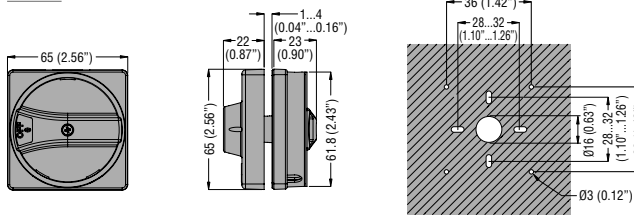
Fourth pole **GAX41125C - GAX42063C...**

Neutral **GAX32C**  
Earth/ground **GAX34C** terminals

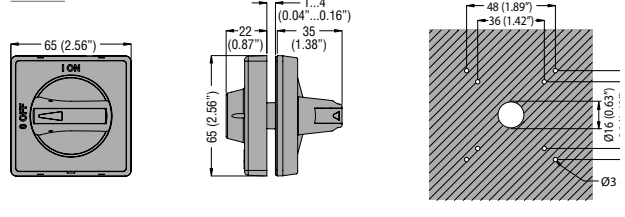


**Handles**

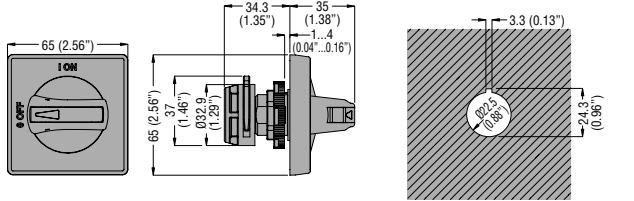
**GAX61/61B**



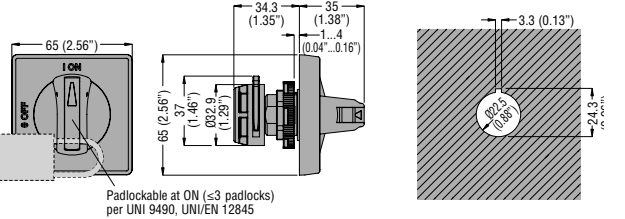
**GAX62/62B**



**GAX63/63B/63K/63BK**

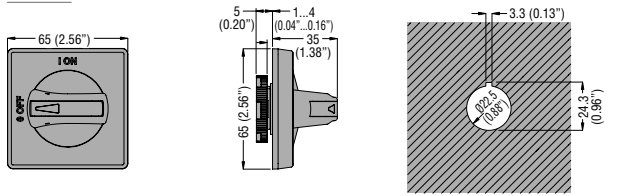


**GAX631B**

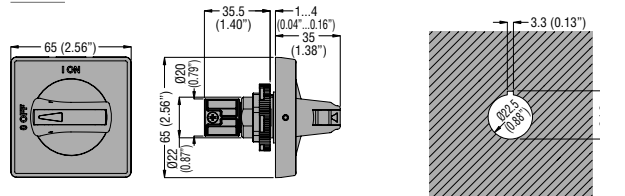


Padlockable at ON (≤3 padlocks)  
per UNI 9490, UNI/EN 12845

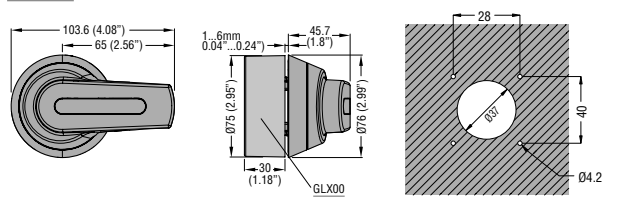
**GAX632/2B**



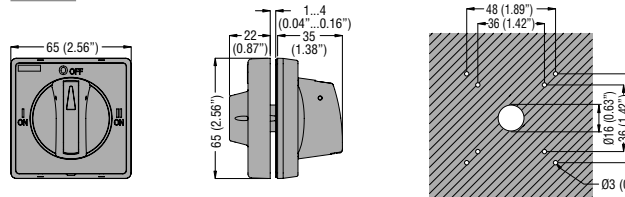
**GAX64/64B**



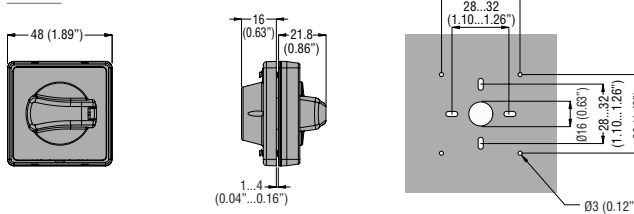
**GAX66N/66NB**



**GAX67B**

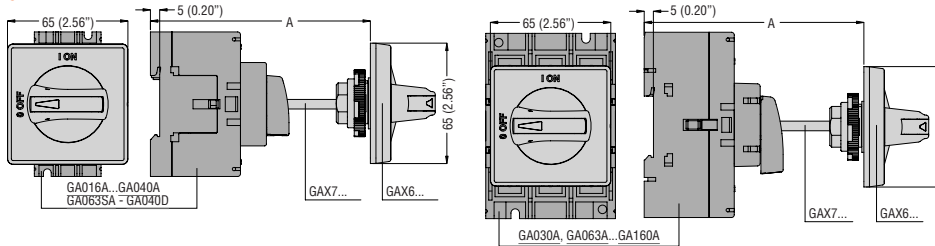


**GAX68/68B**



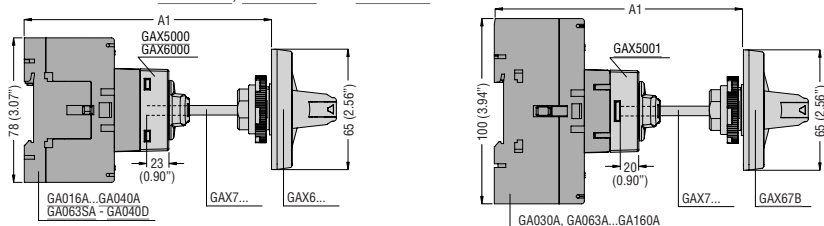
**Shaft extensions for door coupling handles**

**GAX7...**



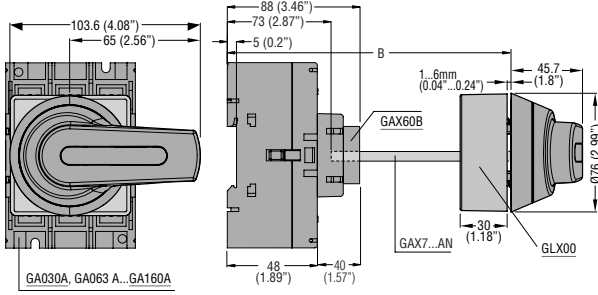
Extension	Length [mm (in)]	A [mm (in)] maximum					
		Type of handle					
		GAX61...	GAX62...	GAX63...	GAX64...	GAX67B	GAX68...
GAX7055	55 (2.16)	99 (3.90)	97 (3.82)	102 (4.01)	116 (4.57)	97 (3.82)	98.5 (3.88)
GAX7070	70 (2.75)	114 (4.49)	112 (4.41)	117 (4.61)	131 (5.16)	112 (4.41)	113.5 (4.47)
GAX7090	90 (3.54)	134 (5.27)	132 (5.20)	137 (5.39)	151 (5.94)	132 (5.20)	133.5 (5.25)
GAX7150	150 (5.90)	194 (7.64)	192 (7.56)	197 (7.75)	211 (8.31)	192 (7.56)	193.5 (7.62)
GAX7200	200 (7.87)	244 (9.61)	242 (9.53)	247 (9.72)	261 (10.27)	242 (9.53)	243.5 (9.59)
GAX7300	300 (11.81)	344 (13.54)	342 (13.46)	347 (13.66)	361 (14.21)	342 (13.46)	343.5 (13.52)
GAX7400	400 (15.75)	444 (17.48)	442 (17.40)	447 (17.60)	461 (18.15)	442 (17.40)	443.5 (17.46)
GAX7500	500 (19.68)	544 (21.42)	542 (21.34)	547 (21.53)	561 (22.09)	542 (21.34)	543.5 (21.40)

**GAX7... used with GAX5000, GAX5001 and GAX6000**

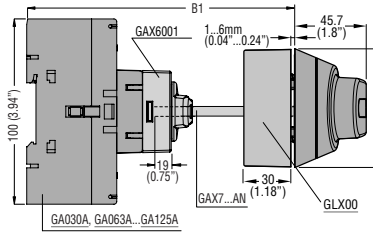


Extension	Length [mm (in)]	A1 [mm (in)] maximum					
		Used with GAX6000		Type of handle			
		GAX61...	GAX62...	GAX63...	GAX64...	GAX68...	GAX67B
GAX7055	55 (2.16)	116 (4.57)	114 (4.49)	119 (4.68)	133 (5.24)	115.5 (4.55)	114 (4.49)
GAX7070	70 (2.75)	131 (5.16)	129 (5.08)	134 (5.27)	148 (5.83)	130.5 (5.14)	129 (5.08)
GAX7090	90 (3.54)	151 (5.94)	149 (5.87)	154 (6.06)	168 (6.61)	150.5 (5.92)	149 (5.87)
GAX7150	150 (5.90)	211 (8.31)	209 (8.23)	214 (8.42)	228 (8.98)	210.5 (8.29)	209 (8.23)
GAX7200	200 (7.87)	261 (10.27)	259 (10.20)	264 (10.39)	278 (10.94)	260.5 (10.25)	259 (10.20)
GAX7300	300 (11.81)	361 (14.21)	359 (14.13)	364 (14.33)	378 (14.88)	360.5 (14.20)	359 (14.13)
GAX7400	400 (15.75)	461 (18.15)	459 (18.07)	464 (18.27)	468 (18.42)	460.5 (18.13)	459 (18.07)
GAX7500	500 (19.68)	561 (22.09)	559 (22.01)	564 (22.20)	578 (22.75)	560.5 (22.07)	559 (22.01)

**GAX7...AN** used with GAX60B and GAX66N/66NB



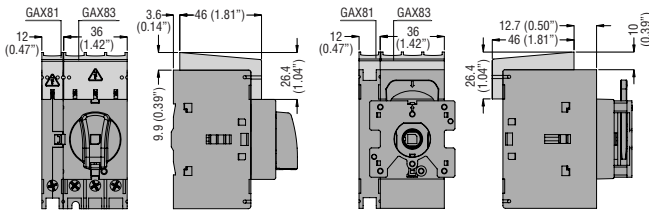
**GAX7...AN** used with GAX6001 and GAX66N/66NB



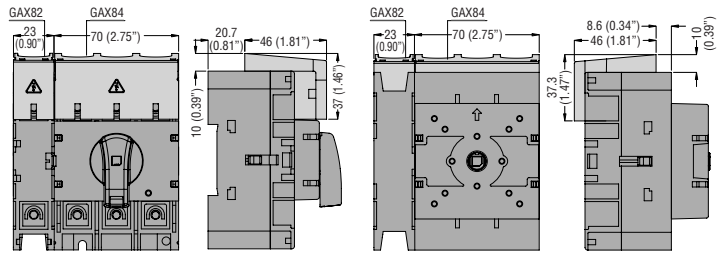
Extension	Length	B	
		with GAX66N/66NB handle	
	[mm(in)]	[mm(in)]	[mm(in)]
GAX7150AN	176 (7.00)	120...226 (4.72...9.00)	120...223 (4.72...8.80)
GAX7200AN	228 (8.98)	120...276 (4.72...10.87)	120...273 (4.72...10.75)
GAX7300AN	328 (12.91)	120...376 (4.72...14.80)	120...373 (4.72...14.68)
GAX7400AN	428 (16.85)	120...476 (4.72...18.74)	120...473 (4.72...18.62)
GAX7500AN	528 (20.79)	120...576 (4.72...22.68)	120...573 (4.72...22.56)

**Terminal covers**

**GAX81 - GAX83**

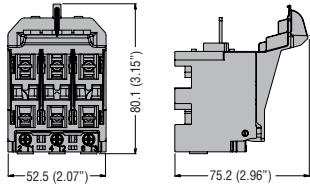


**GAX82 - GAX84**



**Fuse holder**

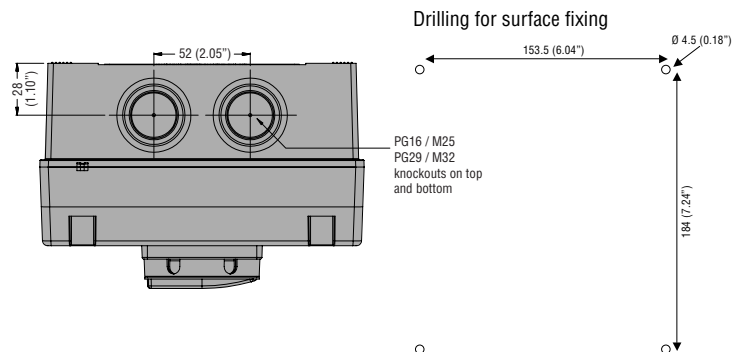
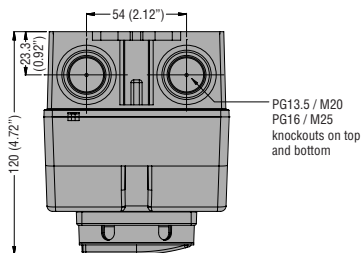
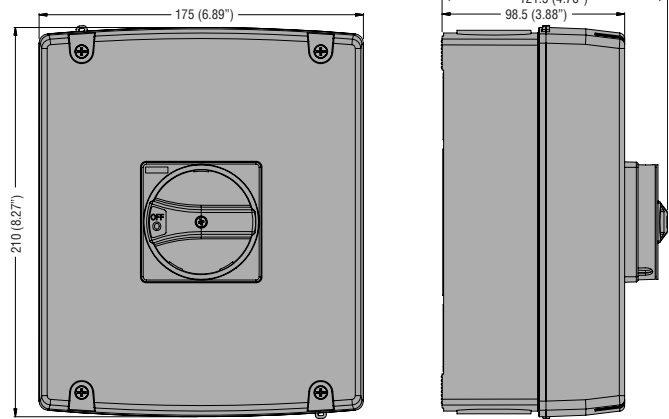
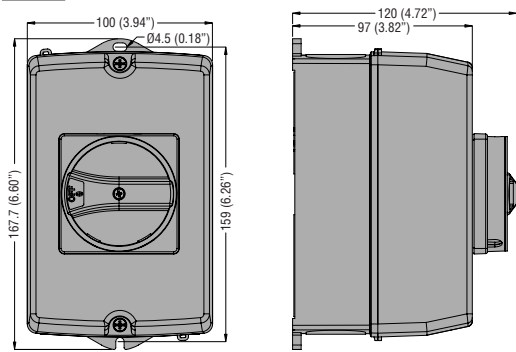
**GAX391 - GAX391UL**



**ENCLOSED SWITCH DISCONNECTORS AND EMPTY ENCLOSURES**

- GAZ016...GAZ040...**
- GAZ016...GAZ040...UL**
- GAZ1... - GAZ1...UL**
- GAZ025D...**

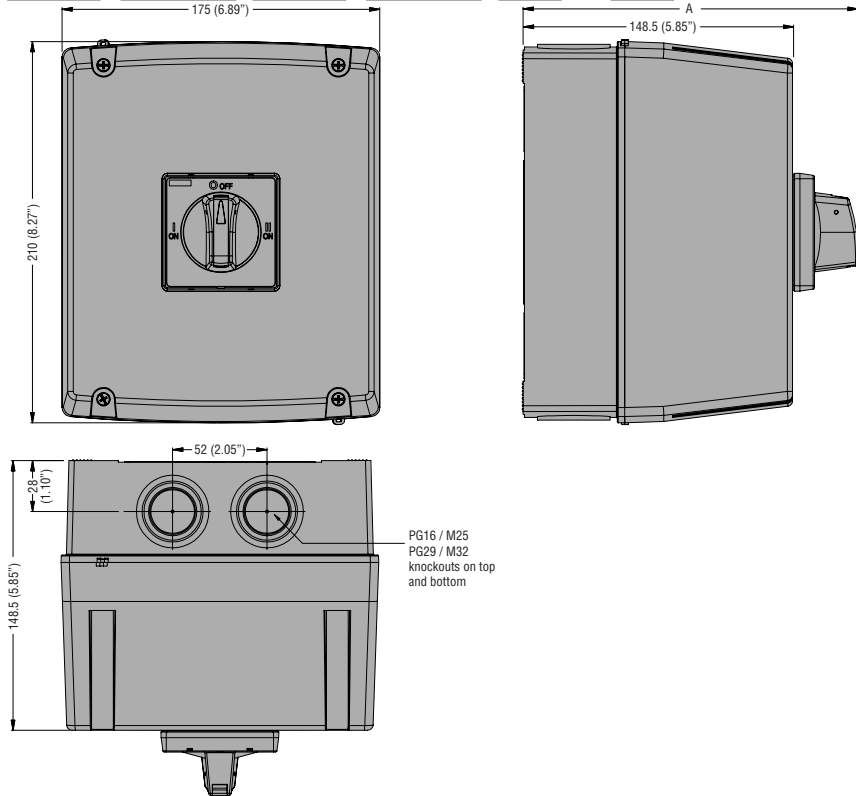
- GAZ063SA...GAZ100C...**
- GAZ063SAUL...**
- GAZ2... - GAZ2...UL**



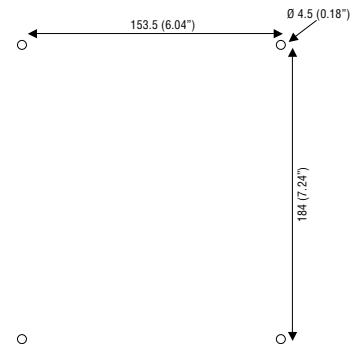
# 14 Switch disconnectors

Dimensions [mm(in)]

**GAZ025ET6...GAZ063SAET6 - GAZ025ET8...GAZ063SAET8 - GAZ032D... - GAZ040D...**

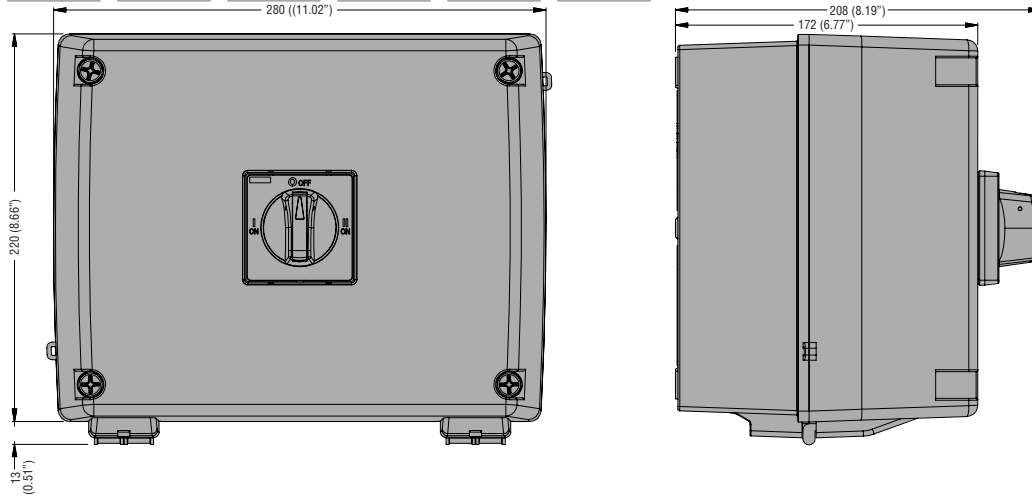


Drilling

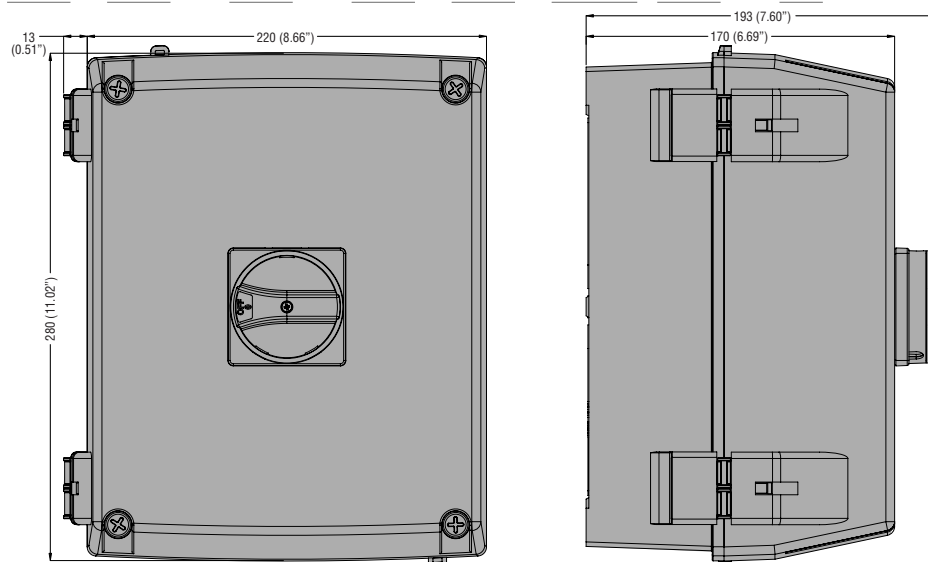


Type	A
GAZ032D...	171.5 (6.75")
GAZ040D...	171.5 (6.75")
GAZ025ET...	183.5 (7.22")
GAZ063SAET...	183.5 (7.22")

**GAZ080ET6 - GAZ125ET6 - GAZ160ET6 - GAZ080ET8 - GAZ125ET8 - GAZ160ET8**



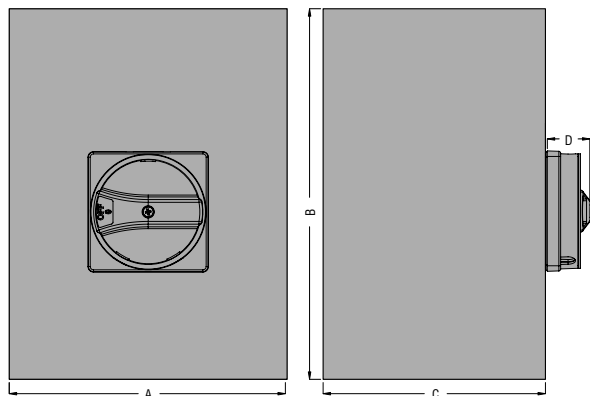
**GAZ125... - GAZ063...UL - GAZ125...UL - GAZ125... - GAZ160... - GAZ080UL...GAZ125...UL - GAZ3...**



# 14 Switch disconnectors

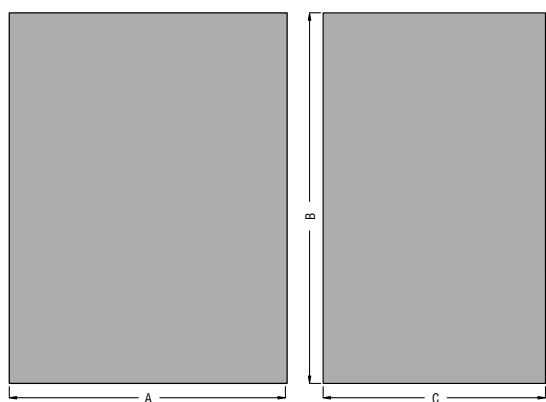
Dimensions [mm(in)]

## SWITCH DISCONNECTORS AND MANUAL CHANGEOVER SWITCHES IN METAL AND STAINLESS STEEL AISI 304 ENCLOSURES



Type	A	B	C	D
GAZM016...GAZM100...	150 (5.90")	200 (7.87")	120 (4.72")	23 (0.90")
GAZM125...GAZM160...	200 (7.87")	300 (11.81")	120 (4.72")	23 (0.90")
GAZM016E...GAZM063SAE...	150 (5.90")	200 (7.87")	120 (4.72")	35 (1.38")
GAZM063ET6...GAZM160ET6...	200 (7.87")	300 (11.81")	120 (4.72")	35 (1.38")
GAZM063ET8...GAZM160ET8...	300 (11.81")	400 (15.75")	120 (4.72")	35 (1.38")
GAZS016...GAZS100...	150 (5.90")	200 (7.87")	120 (4.72")	23 (0.90")
GLZM0160...GLZM0315...	300 (11.81")	400 (15.75")	250 (9.84")	45.7 (1.80")
GLZM0160E...GLZM0315E...	300 (11.81")	400 (15.75")	250 (9.84")	45.7 (1.80")

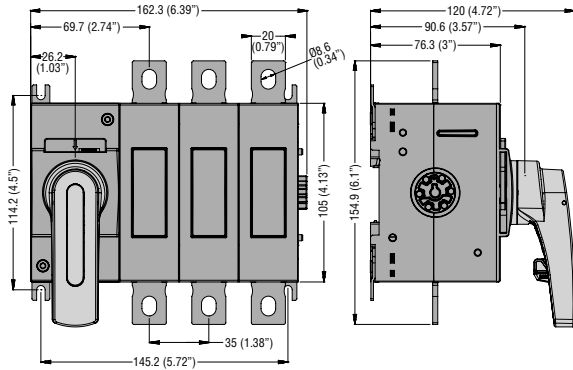
## EMPTY METAL ENCLOSURES



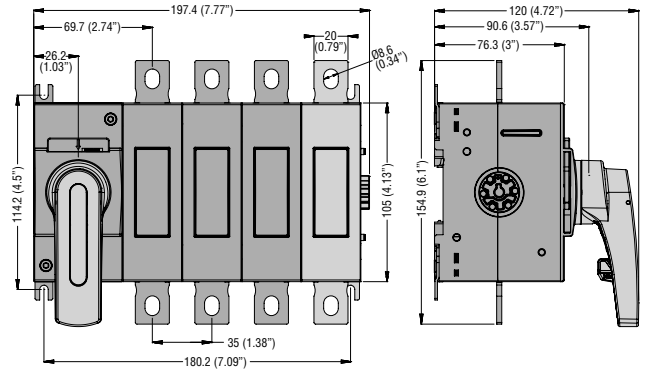
Type	A	B	C
GAZM1	150 (5.90")	200 (7.87")	120 (4.72")
GAZM2	200 (7.87")	300 (11.81")	120 (4.72")
GAZM3	300 (11.81")	400 (15.75")	120 (4.72")
GAZS1	150 (5.90")	200 (7.87")	120 (4.72")
GLZM1	300 (11.81")	400 (15.75")	250 (9.84")

GL SERIES 100A TO 1000A SWITCH DISCONNECTORS

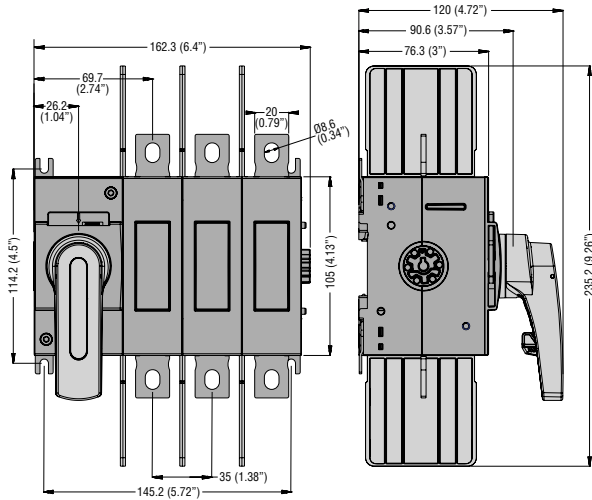
**GL0160C1...GL0315C1**



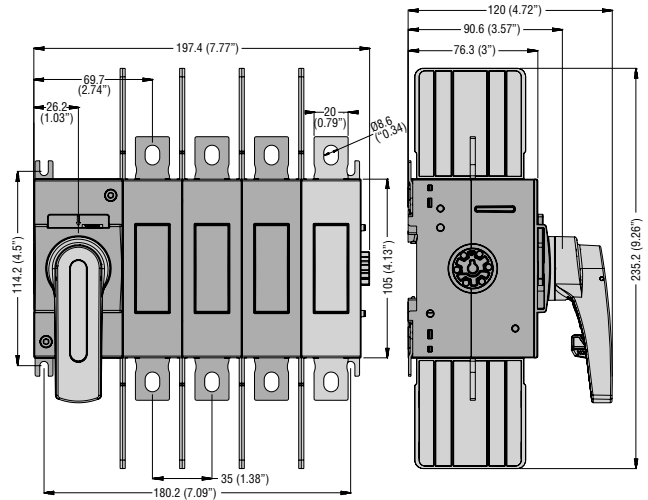
**GL0160C1...GL0315C1 with add-on fourth pole GLX420315**



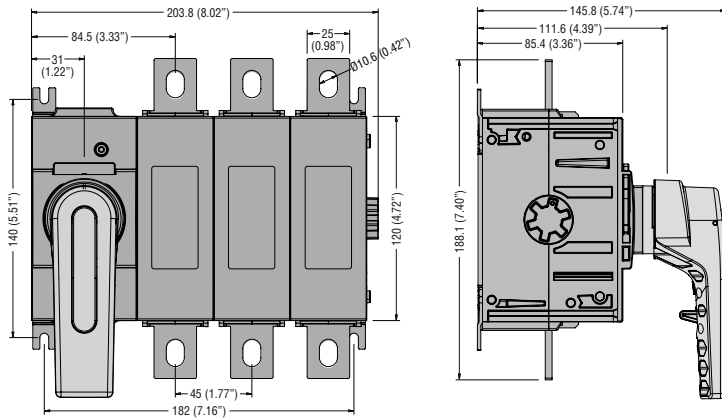
**GL0100C1UL - GL0200C1UL**



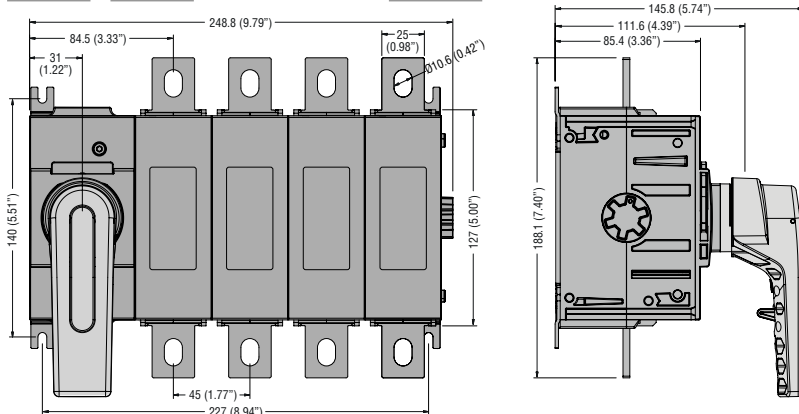
**GL0100C1UL - GL0200C1UL with add-on fourth pole GLX420100UL - GLX420200UL**



**GL0320C1...GL0500C1**



**GL0320C1...GL0500C1 with add-on fourth pole GLX420320...0500**

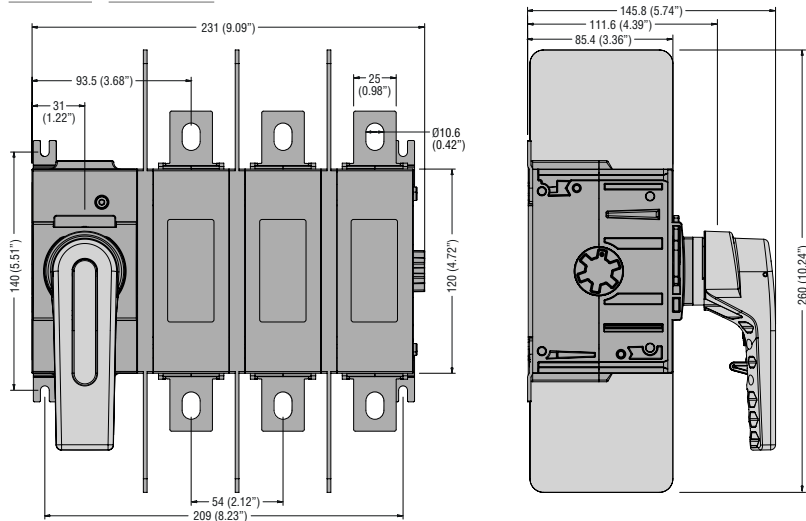


# 14 Switch disconnectors

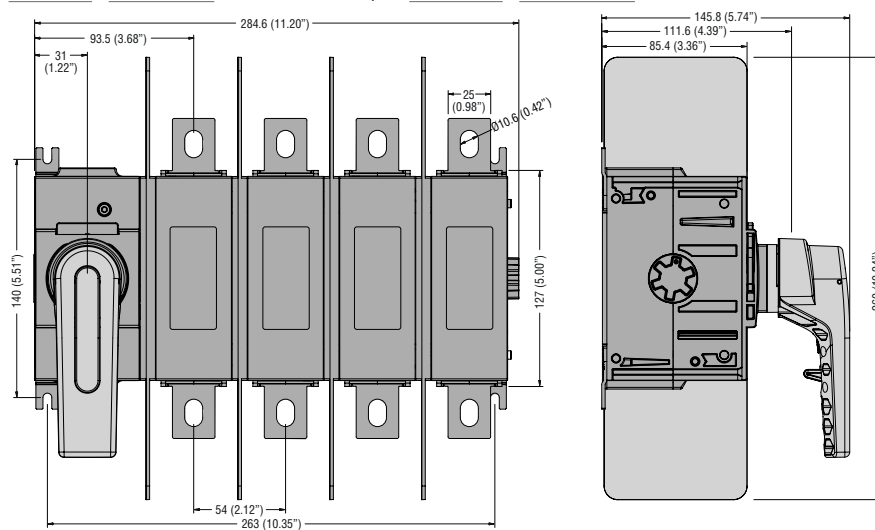
Dimensions [mm(in)]

INDEX

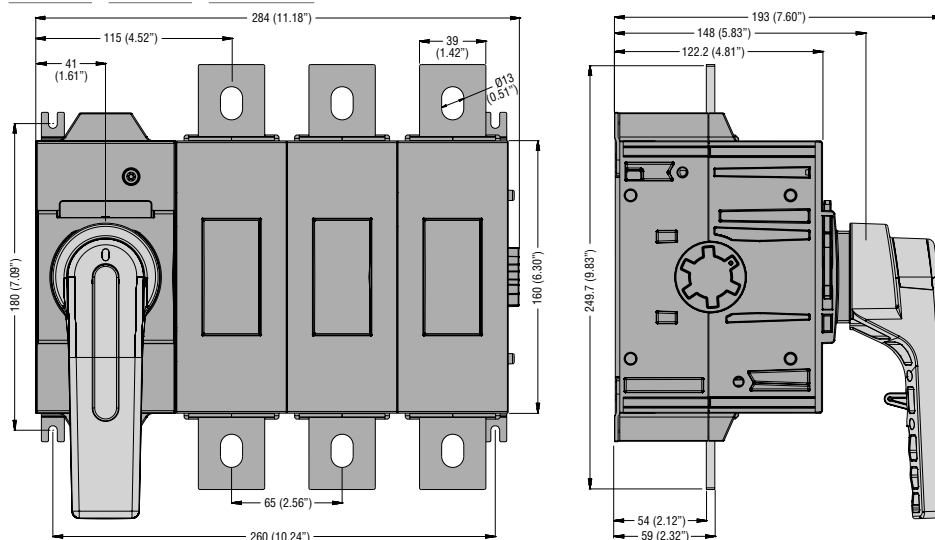
## GL0630C1 - GL0400C1UL



## GL0630C1 - GL0400C1UL with add-on fourth pole GLX420630 - GLX420400UL



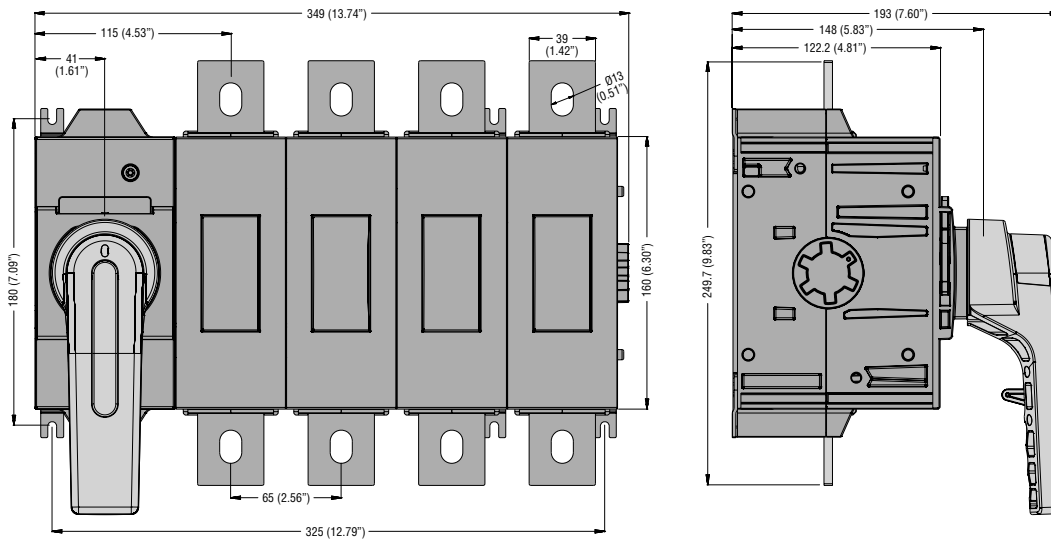
## GL0631C1 - GL0800C1 - GL0600C1UL



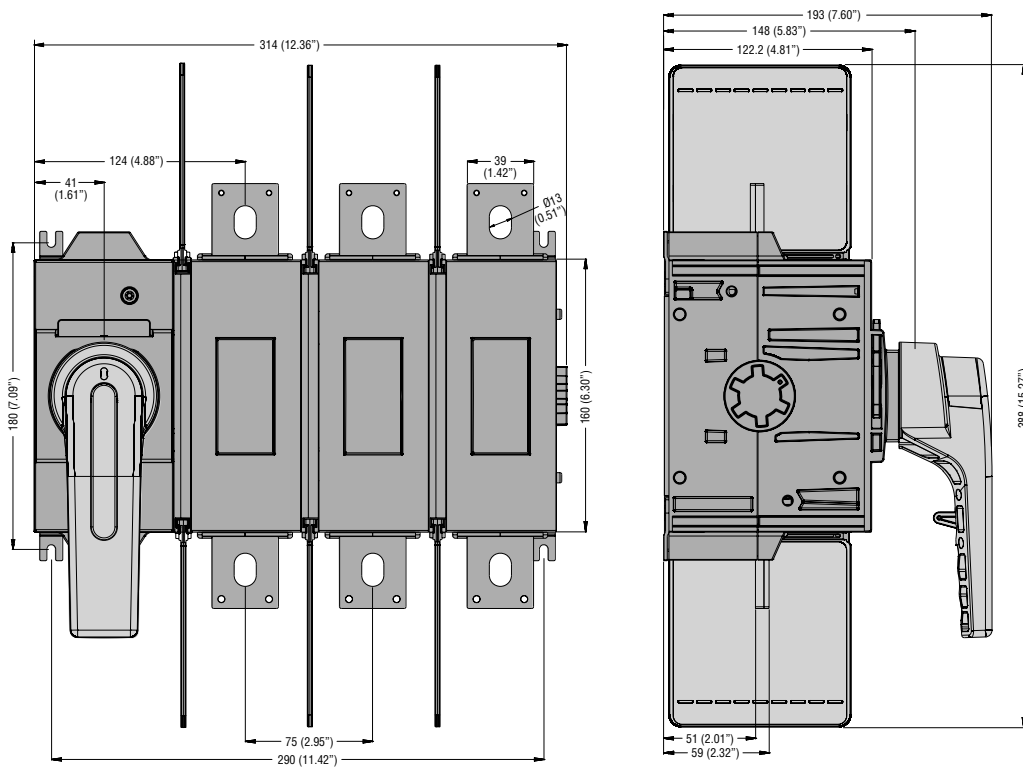
# 14 Switch disconnectors

Dimensions [mm(in)]

**GL0631C1 - GL0800C1** with add-on fourth pole **GLX420631 - GLX420800**  
**GL0600C1UL** with add-on fourth pole **GLX420600UL**



**GL1000C1 - GL0800C1UL**

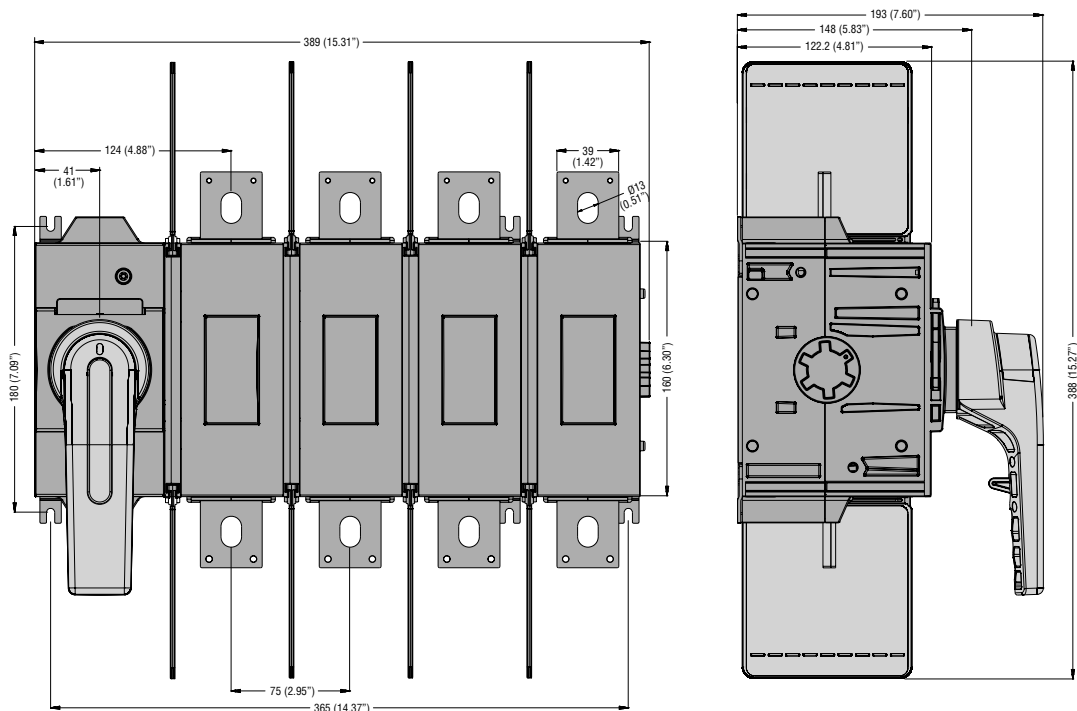


# 14 Switch disconnectors

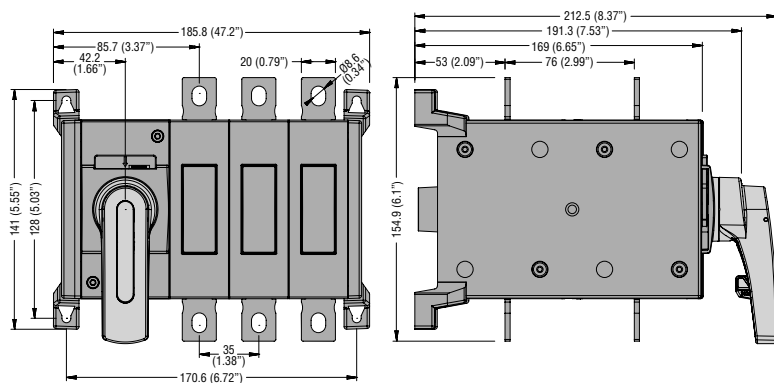
Dimensions [mm(in)]

INDEX

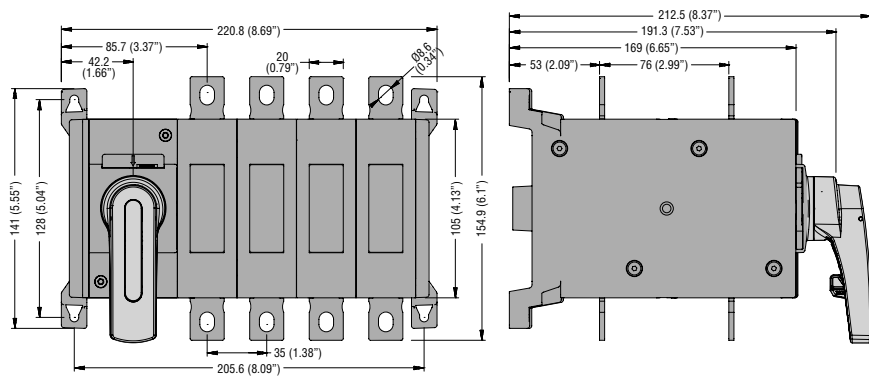
**GL1000C1** with add-on fourth pole **GLX421000**  
**GL0800C1UL** with add-on fourth pole **GLX420800UL**



**GLC0160C1...GLC0315C1**



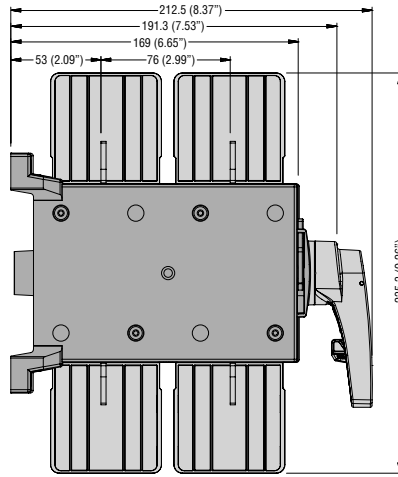
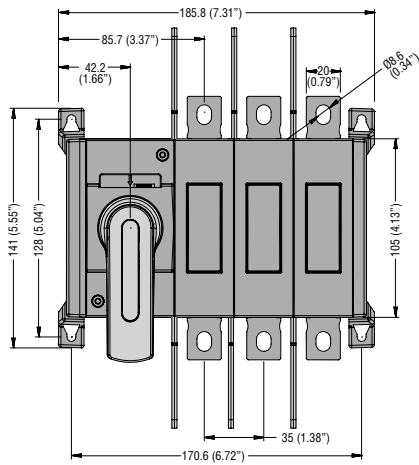
**GLC0160T4C1...GLC0315T4C1**



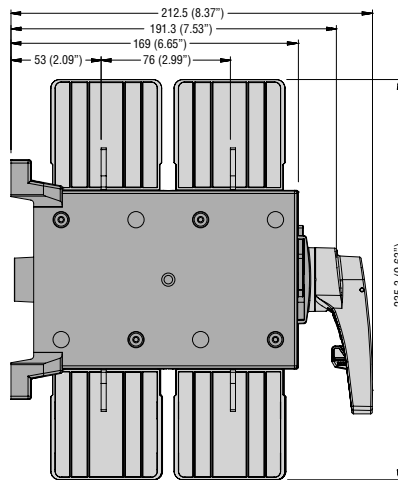
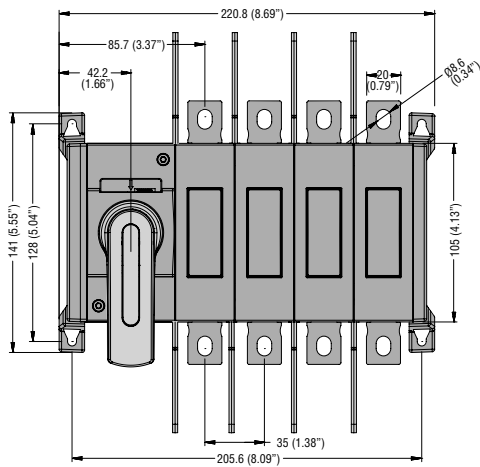
# 14 Switch disconnectors

Dimensions [mm(in)]

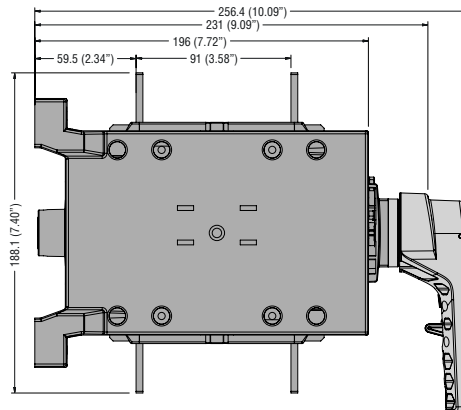
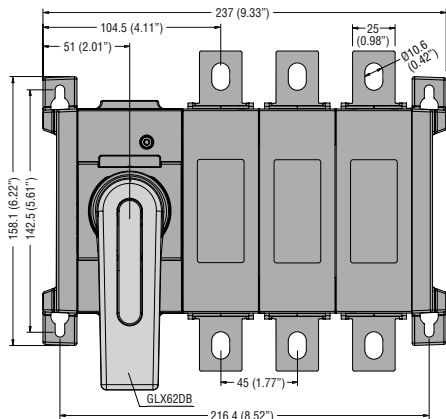
**GLC0100C1UL - GLC0200C1UL**



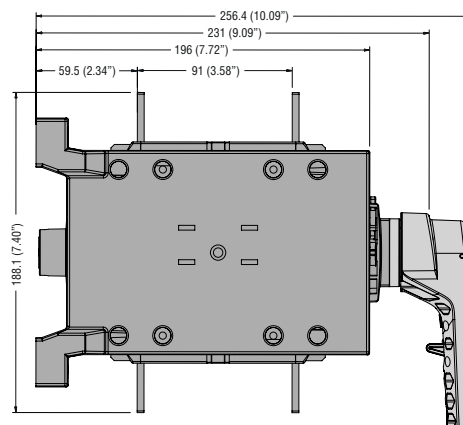
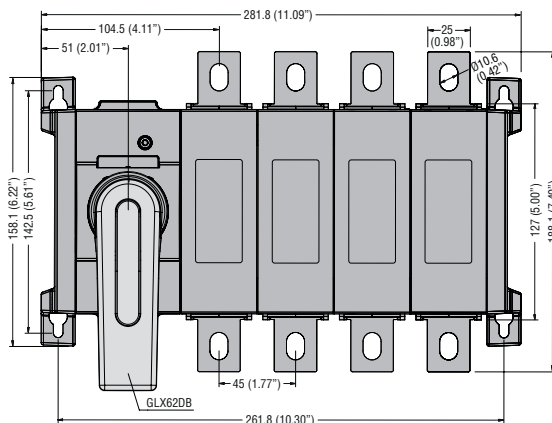
**GLC0100T4C1UL - GLC0200T4C1UL**



**GLC0320C1...GLC0500C1**



**GLC0320T4C1...GLC0500T4C1**

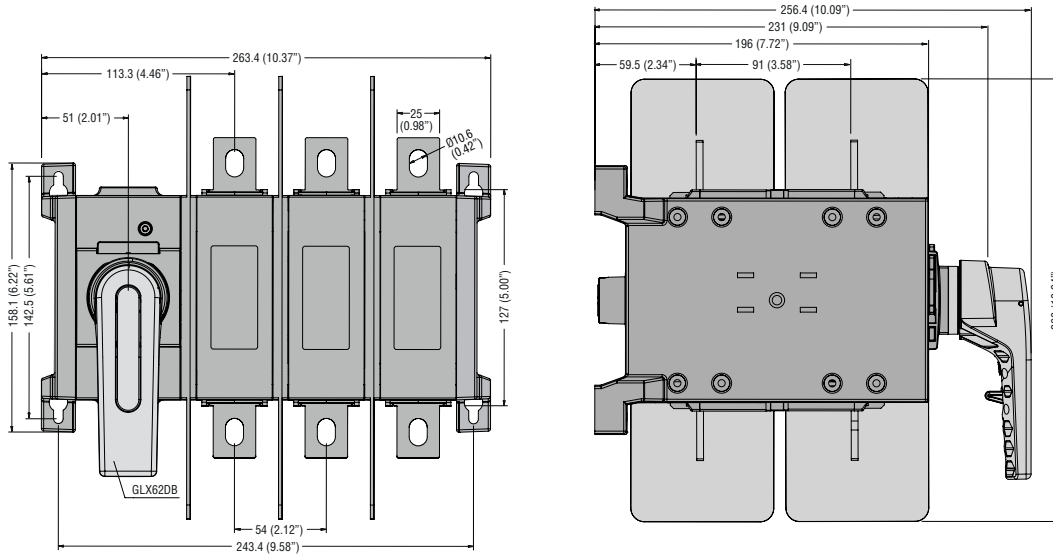


# 14 Switch disconnectors

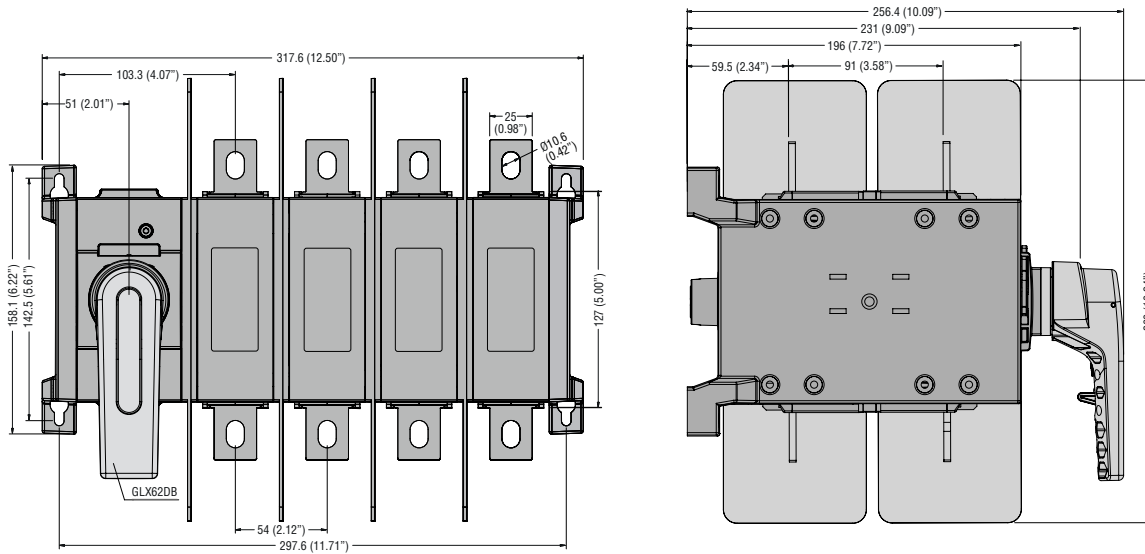
Dimensions [mm(in)]

INDEX

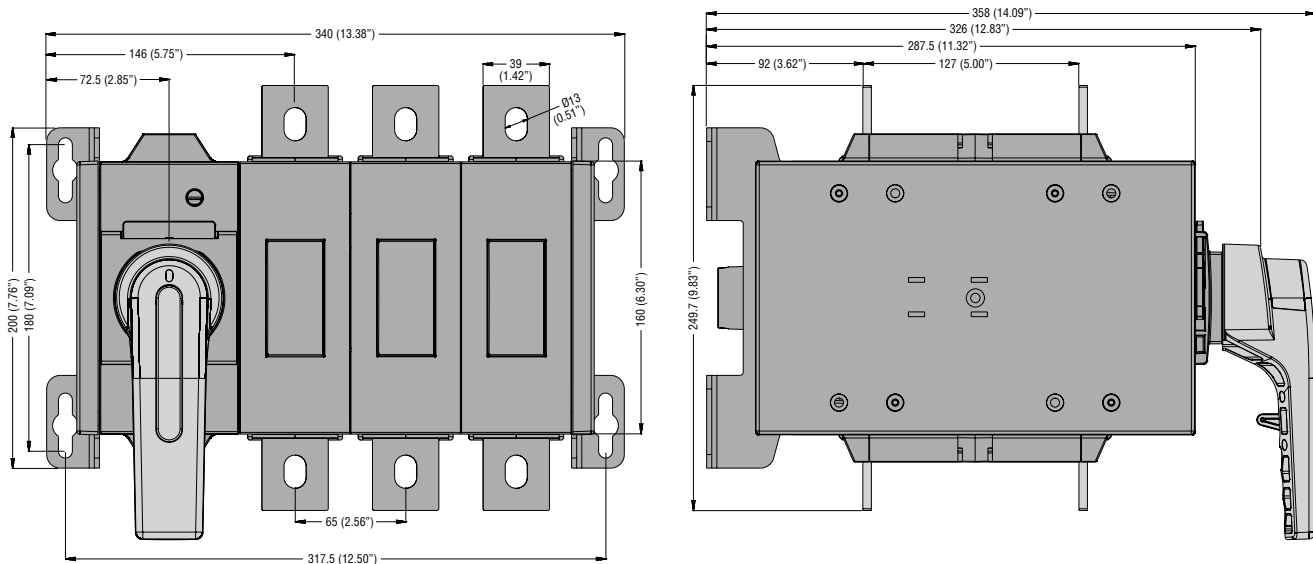
## GLC0630C1 - GLC0400C1UL



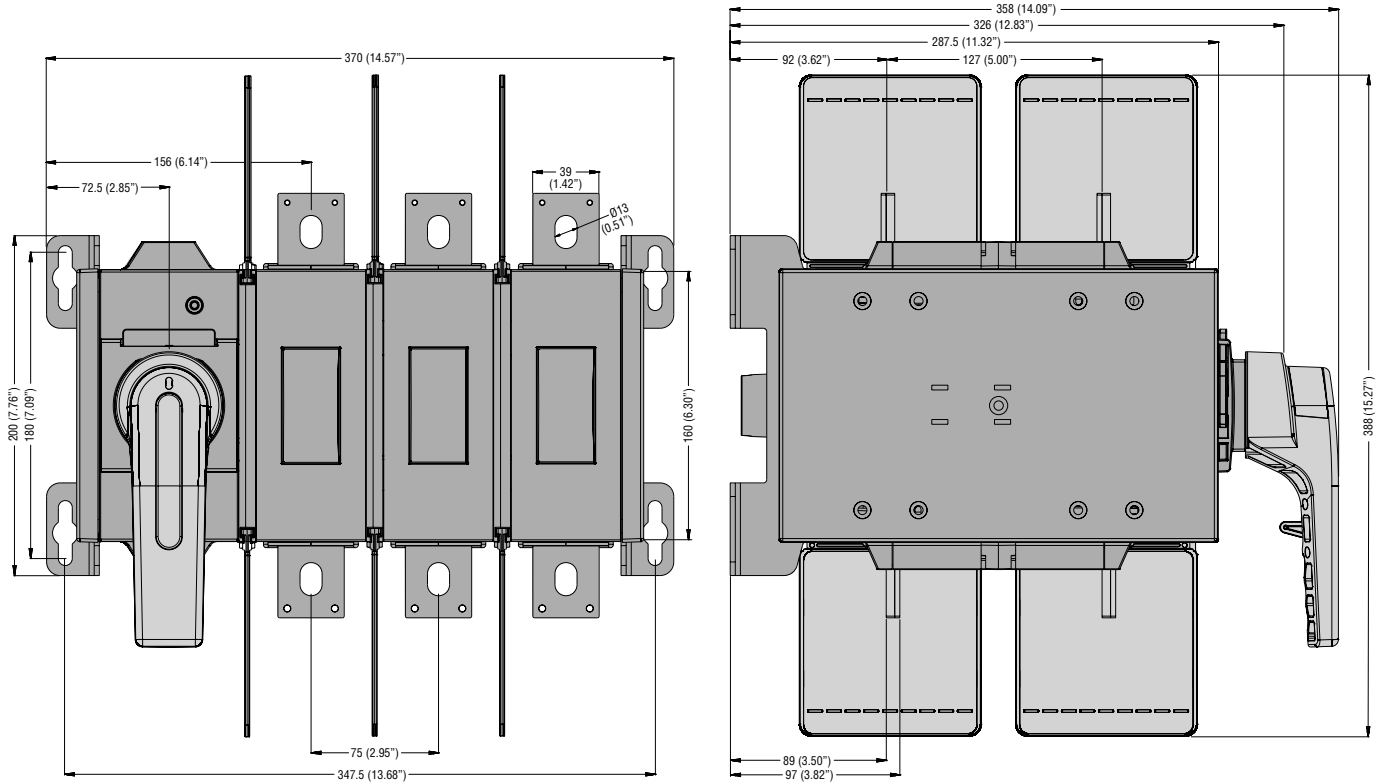
## GLC0630T4C1 - GLC0400T4C1UL



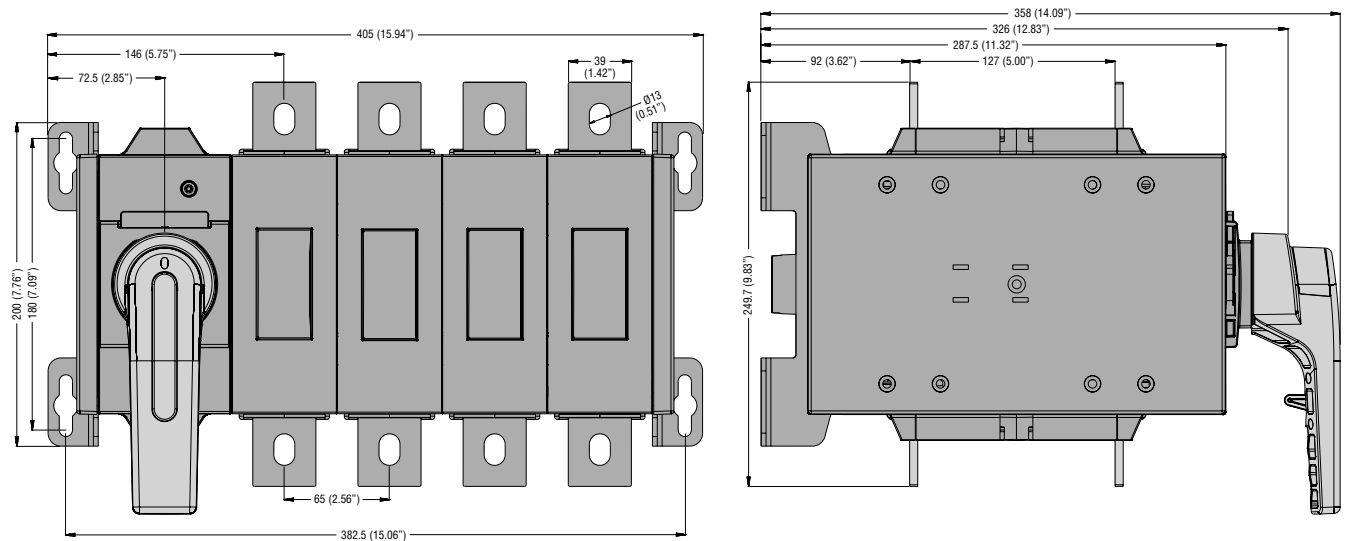
## GLC0631C1 - GLC0800C1



**GLC1000C1**



**GLC0631T4C1 - GLC0800T4C1**

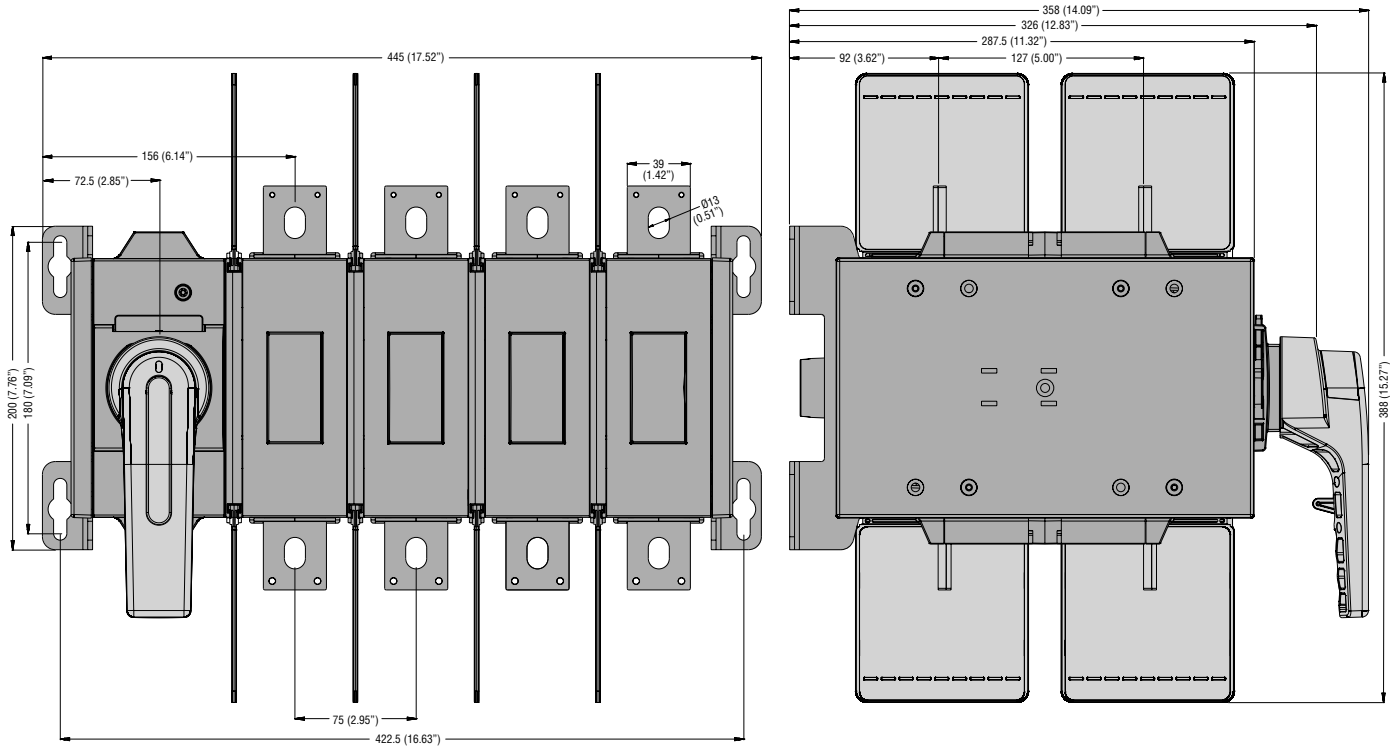


# 14 Switch disconnectors

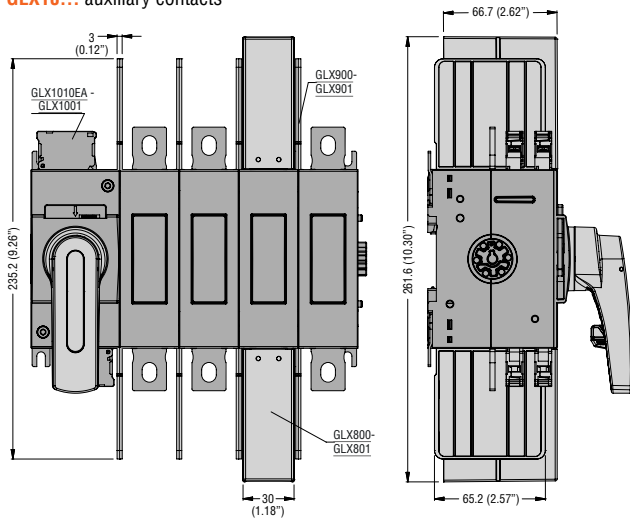
Dimensions [mm(in)]

INDEX

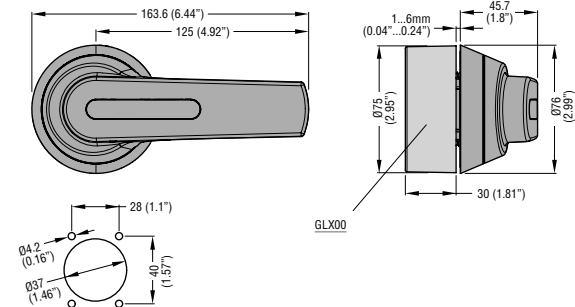
## GLC1000T4C1



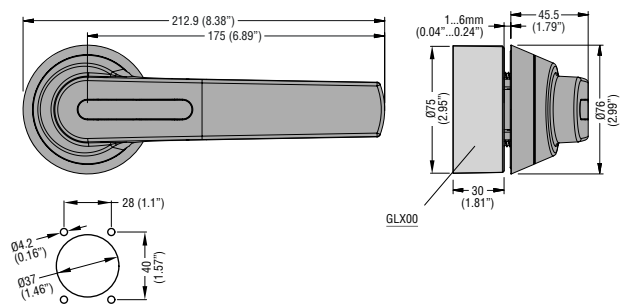
**GLX800 - GLX801** terminal covers  
**GLX900 - GLX901** one-pole phase barrier  
**GLX10...** auxiliary contacts



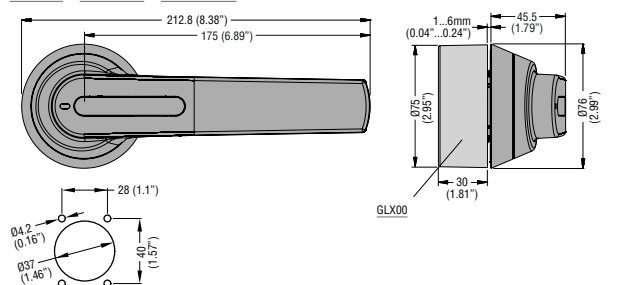
**GLX61 - GLX61B - GLX61CB** handles



**GLX62 - GLX62B - GLX62CB** handles



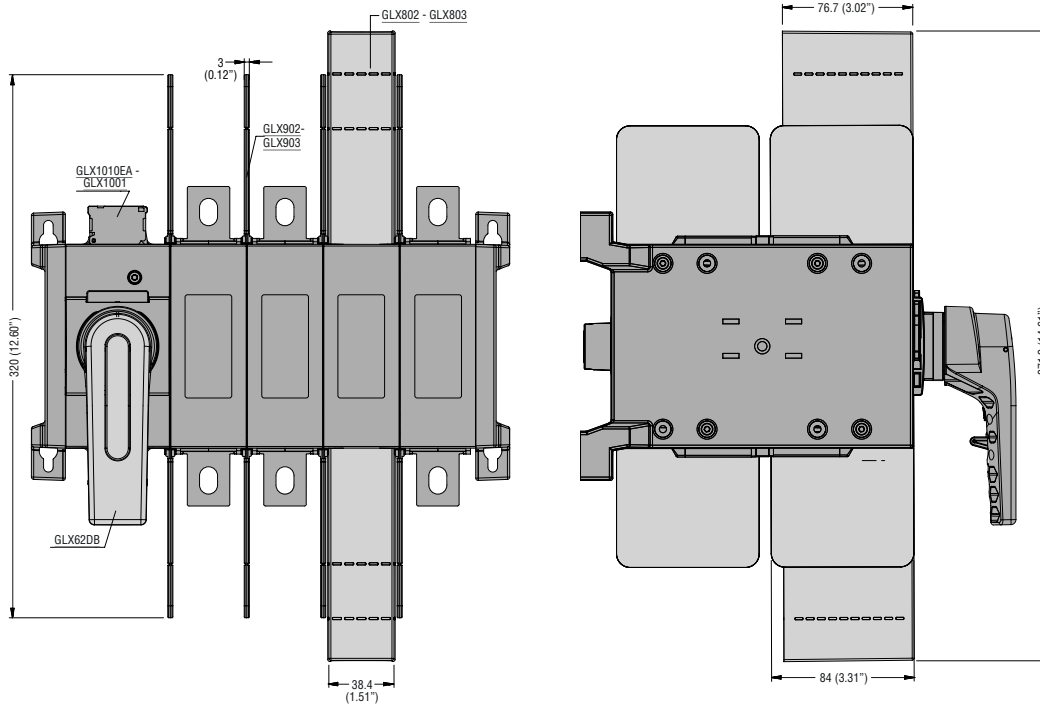
**GLX63 - GLX63B - GLX63CB** handles



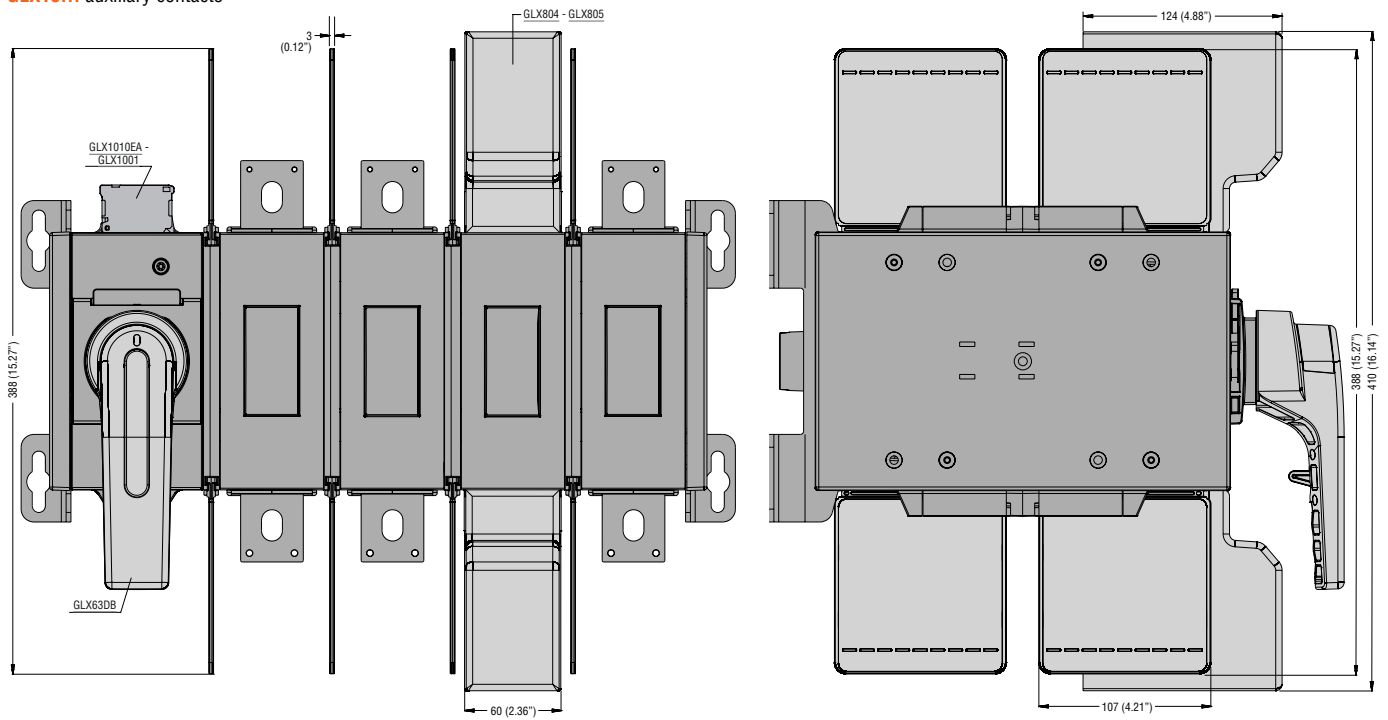
# 14 Switch disconnectors

Dimensions [mm(in)]

- GLX802 - GLX803 terminal covers
- GLX902 - GLX903 one-pole phase barrier
- GLX10... auxiliary contacts



- GLX804 - GLX805 terminal covers
- GLX904 - GLX905 one-pole phase barrier
- GLX10... auxiliary contacts



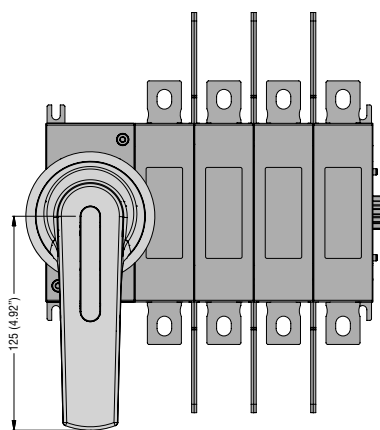
# 14 Switch disconnectors

Dimensions [mm(in)]

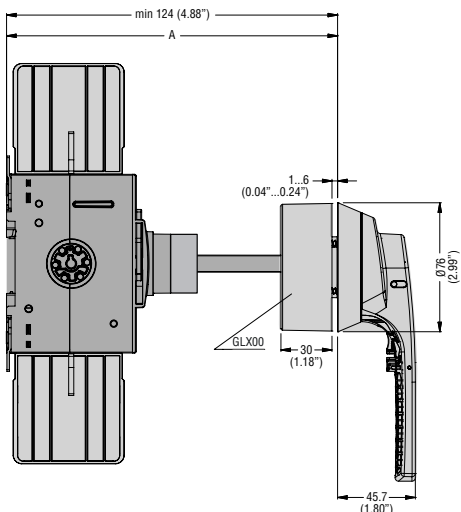
INDEX

GLX7... shaft extensions for door coupling handles

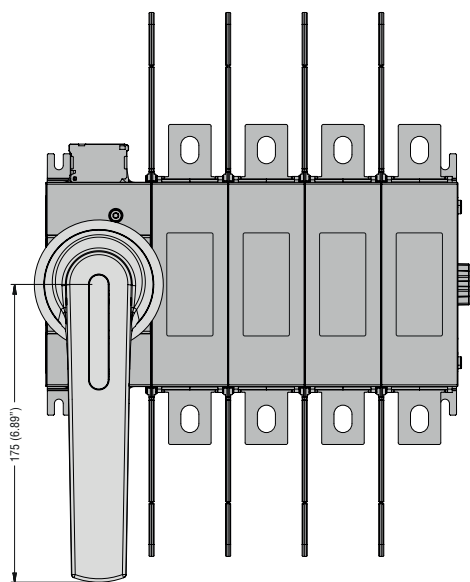
GLX00 shaft alignment ring



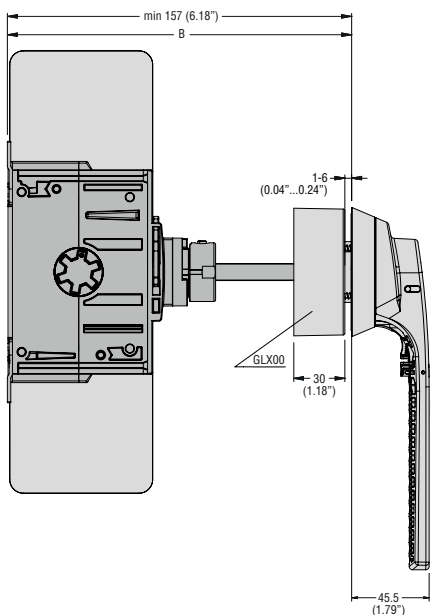
125 (4.92")



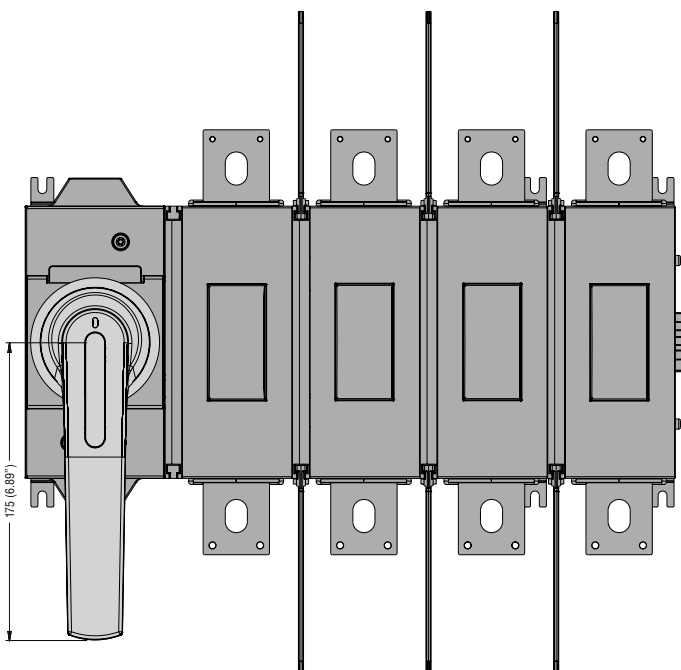
GLX7...S10	A mm (in)	
	min	max
GLX7150S10	124...194	(4.88...7.64")
GLX7200S10	124...244	(4.88...9.61")
GLX7300S10	124...344	(4.88...13.54")
GLX7400S10	124...444	(4.88...17.48")
GLX7500S10	124...544	(4.88...21.42")



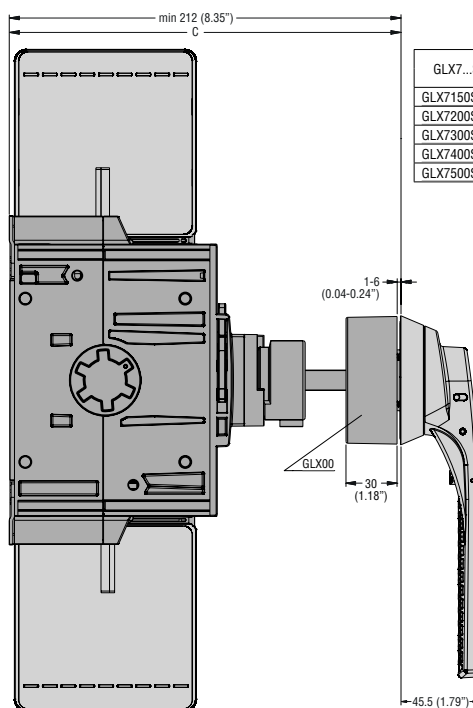
175 (6.89")



GLX7...S10	B mm (in)	
	min	max
GLX7150S10	157...227	(6.18...8.94")
GLX7200S10	157...277	(6.18...10.90")
GLX7300S10	157...377	(6.18...14.84")
GLX7400S10	157...477	(6.18...18.78")
GLX7500S10	157...577	(6.18...22.72")

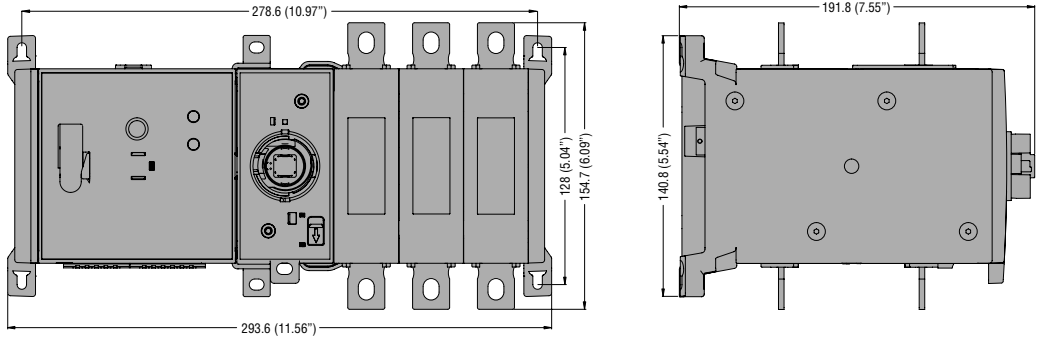


175 (6.89")

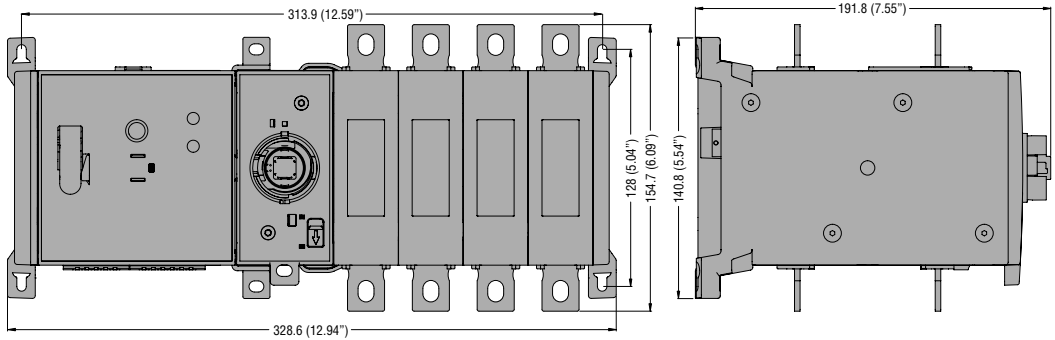


GLX7...S12	C mm (in)	
	min	max
GLX7150S12	212...232	(8.35...9.13")
GLX7200S12	212...282	(8.35...11.10")
GLX7300S12	212...382	(8.35...15.03")
GLX7400S12	212...482	(8.35...18.98")
GLX7500S12	212...582	(8.35...22.91")

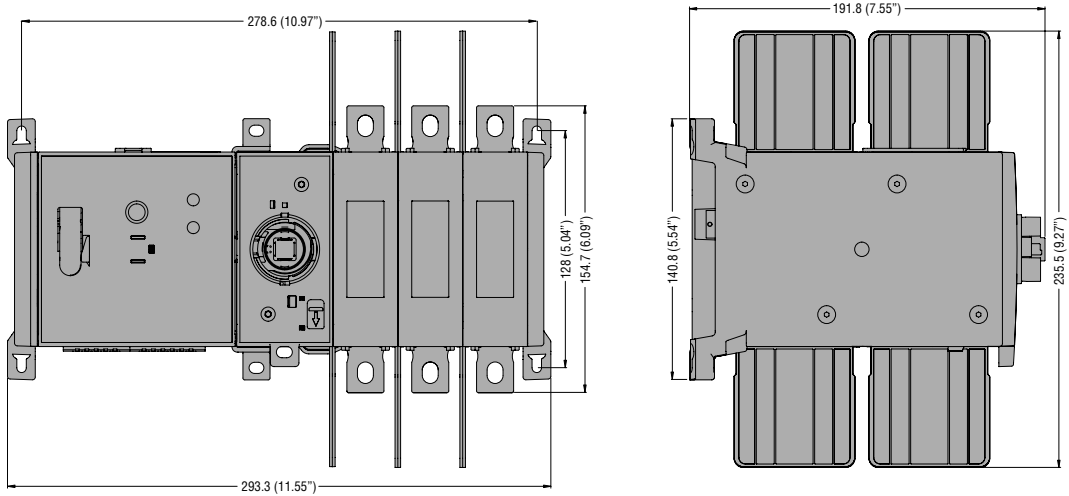
**GLCMB0125...GLCMB0315...**



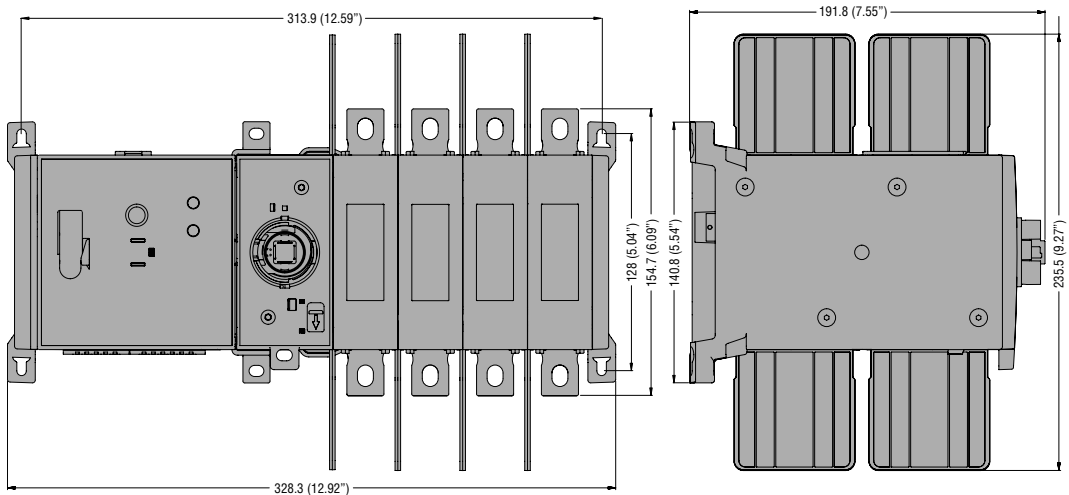
**GLCMB0125T4...GLCMB0315T4...**



**GLCMB0100...UL - GLCMB0200...UL**



**GLCMB0100T4...UL - GLCMB0200T4...UL**

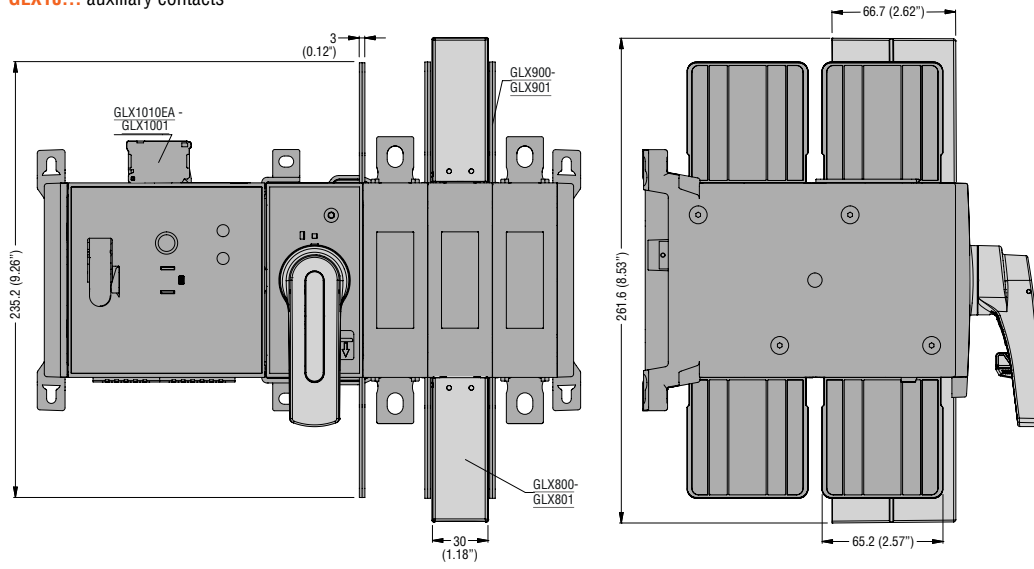


# 14 Switch disconnectors

Dimensions [mm(in)]

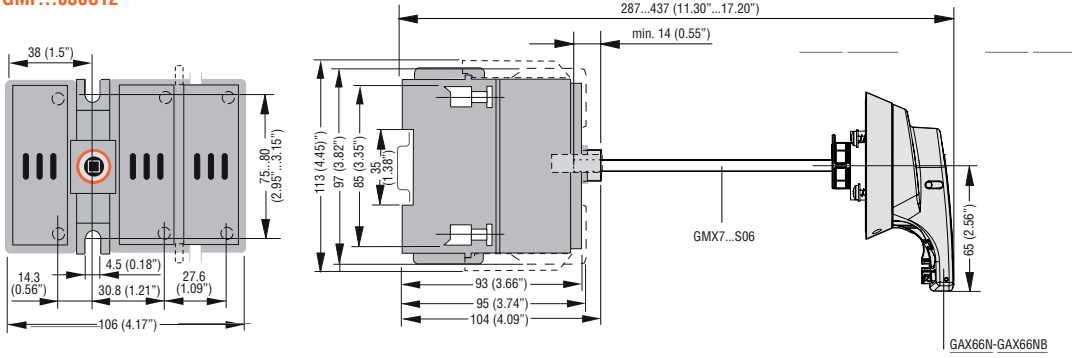
INDEX

- GLX800 - GLX801 terminal covers
- GLX900 - GLX901 one-pole phase barrier
- GLX10... auxiliary contacts

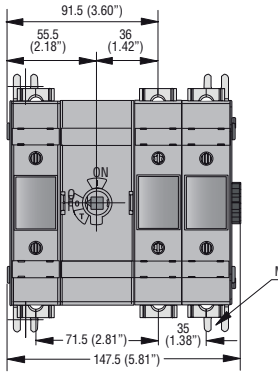


## GM SERIES 30A TO 800A SWITCH DISCONNECTORS

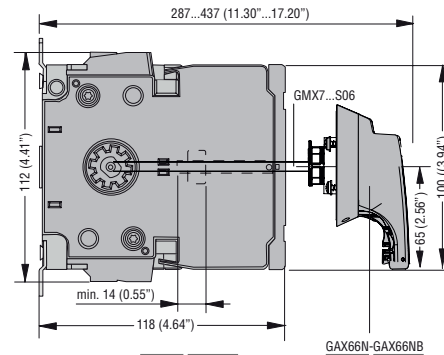
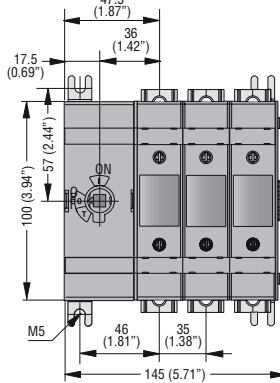
### GMF...030C12



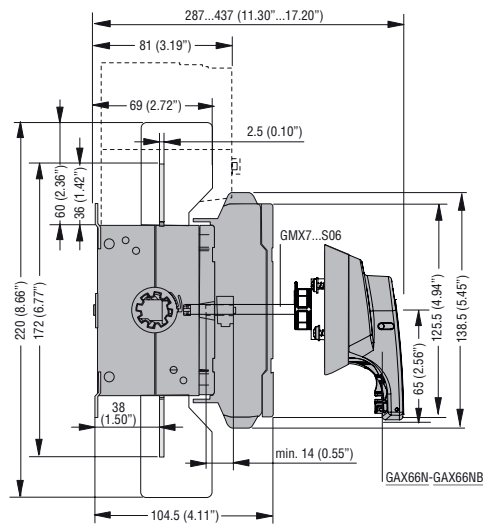
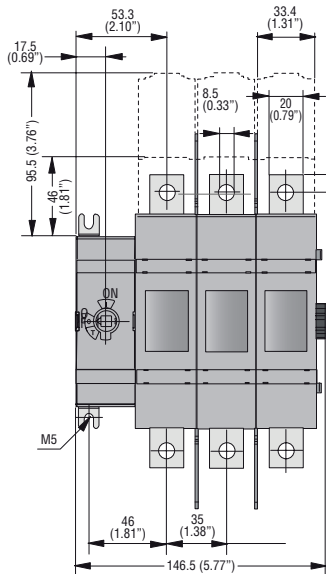
### GMFJ060C12



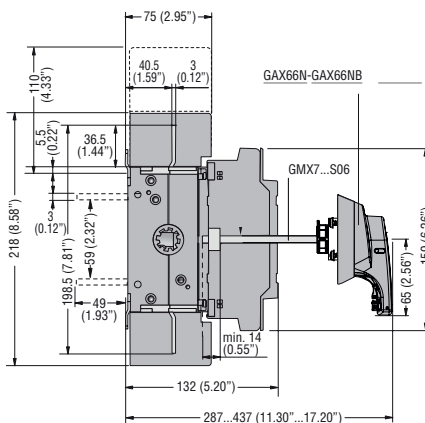
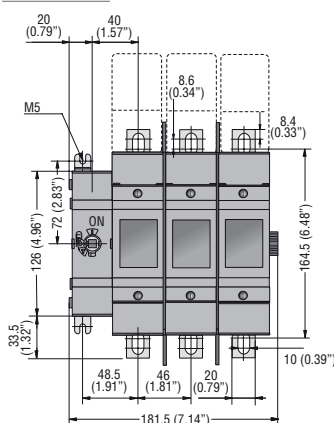
### GMFJ060C03



### GMFJ100C03



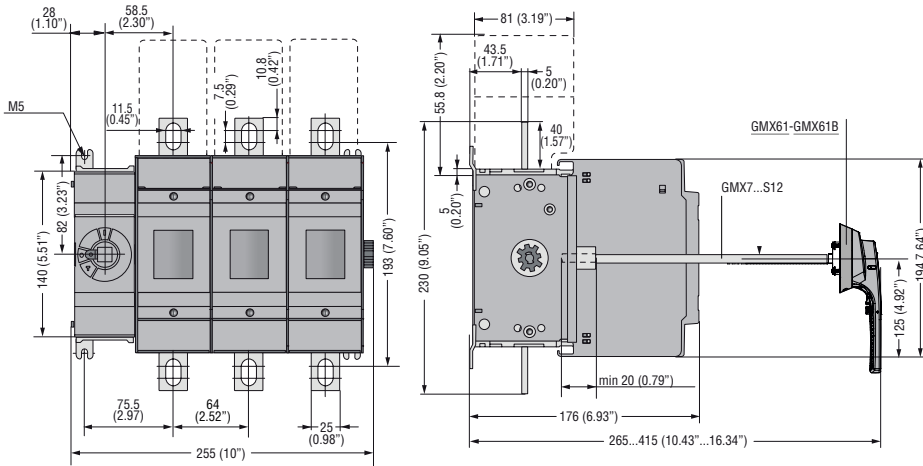
### GMFJ200C03



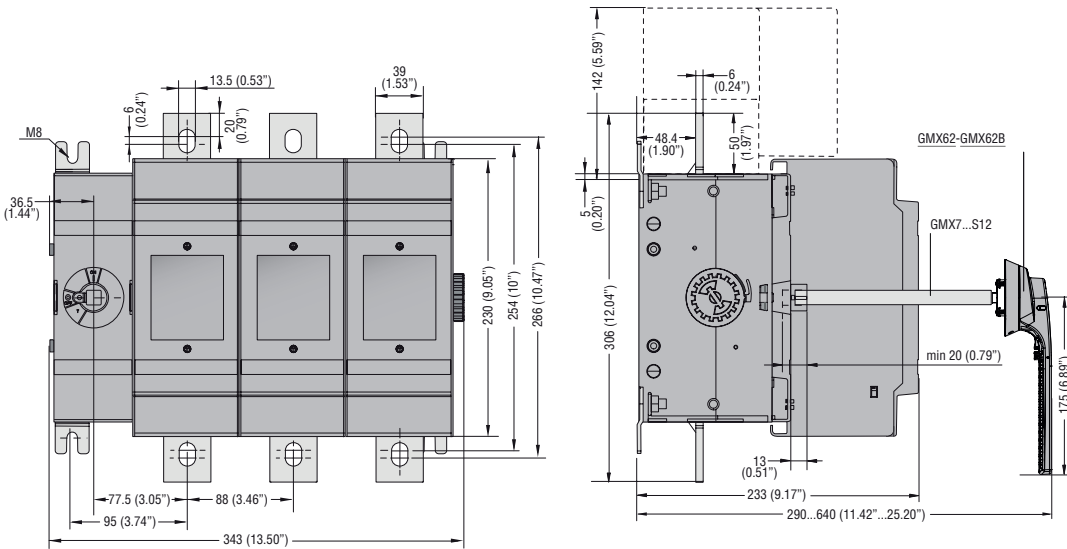
# 14 Switch disconnectors

Dimensions [mm(in)]

## GMFJ400C03



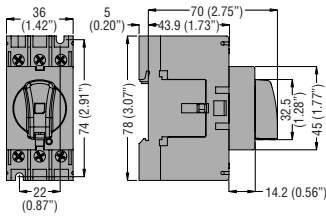
## GMFJ600C03 - GMFL800C03



## GA SERIES SWITCH DISCONNECTORS

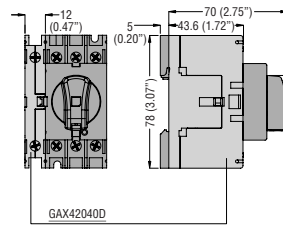
Direct operating version

**GA040D**



Fourth pole

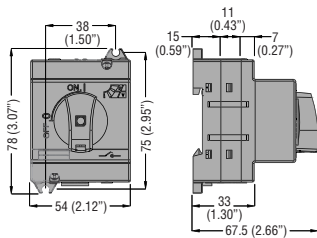
**GAX42040D**



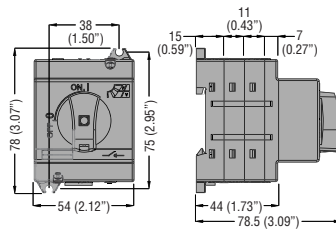
## GD SERIES SWITCH DISCONNECTORS

Direct operating version

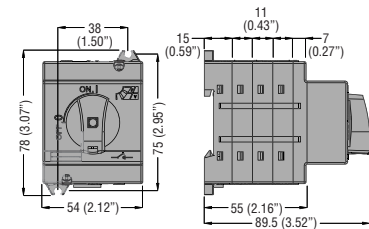
**GD...AT2**



**GD...AT3**



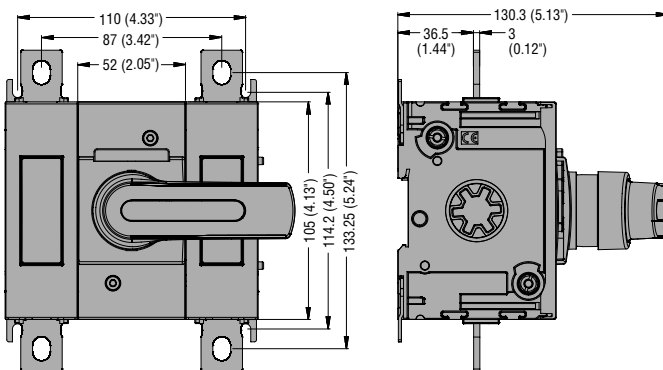
**GD...AT4**



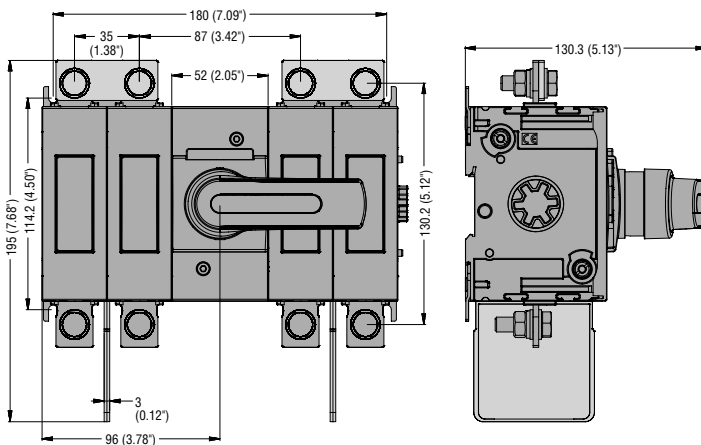
## GLD SERIES SWITCH DISCONNECTORS

Direct operating version

**GLD...T2C3**



**GLD...T4C3**

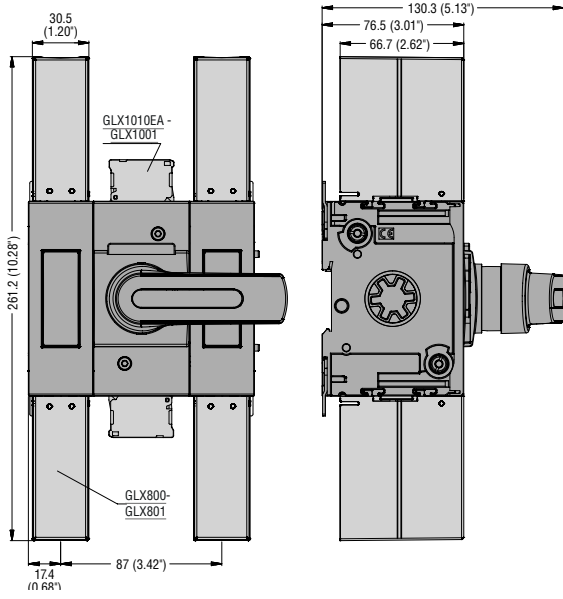


# 14 Switch disconnectors

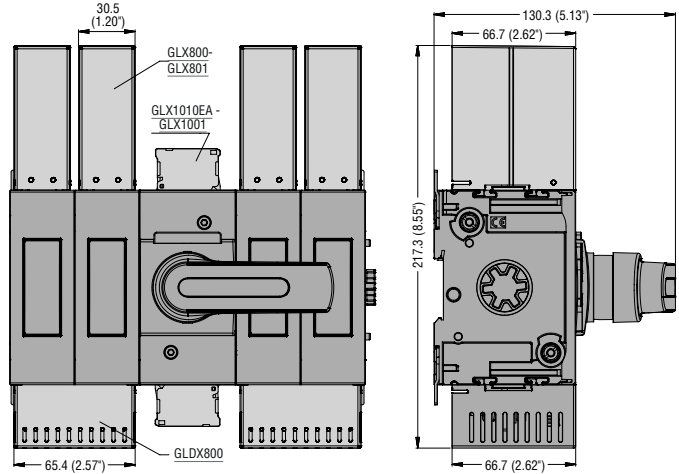
Dimensions [mm(in)]

INDEX

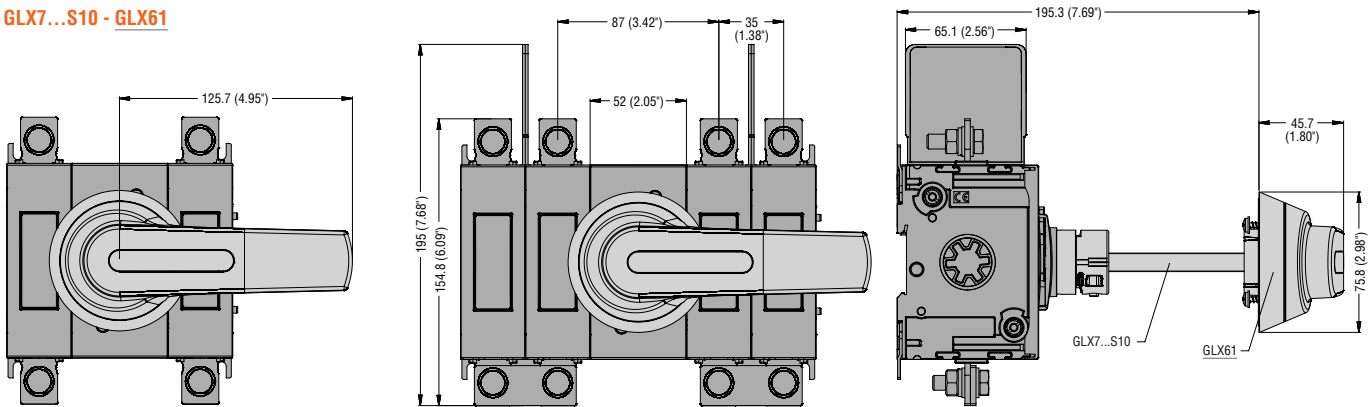
## GLX10...GLX800 - GLX801



## GLX10... - GLX800 - GLX801 - GLDX800



## GLX7...S10 - GLX61

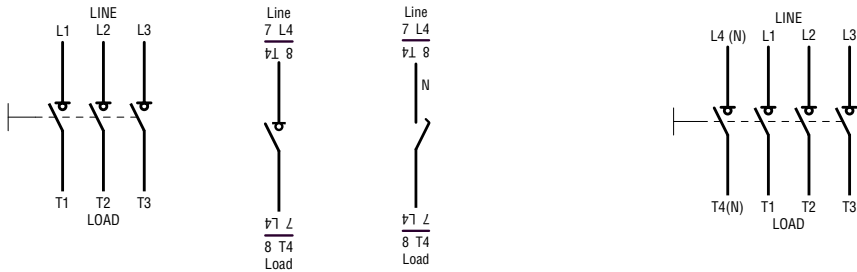


### OPEN AND ENCLOSED GA SERIES 16A TO 160A SWITCH DISCONNECTORS

Three-pole disconnectors  
**GA016...GA160A.../C**  
**GAZ016...GAZ160/B**  
**GAZ016UL...GAZ125UL**  
**GAZM016...GAZM160/B**  
**GAZS016...GAZS100/B**

Fourth pole  
**GAX42...**      **GAX41...**

Four-pole disconnectors  
**GAZ016T4...GAZ160T4/B**  
**GAZ016T4UL...GAZ125T4UL**  
**GAZM016T4...GAZM160T4/B**



### ADD-ON BLOCKS AND ACCESSORIES

Auxiliary contacts  
**GAX1011...**

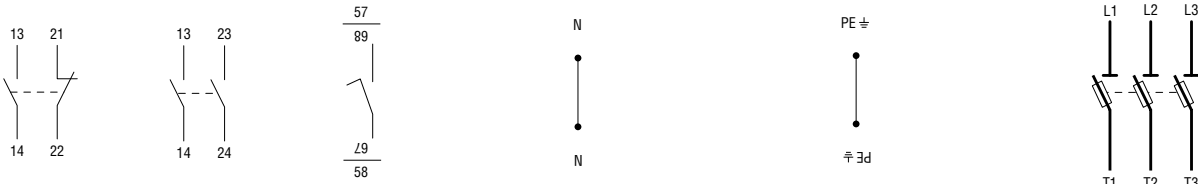
**GAX1020**

**GAX11... - GAX12...**

Neutral terminal  
**GAX31... - GAX32...**

Earth/Ground terminal  
**GAX33... - GAX34...**

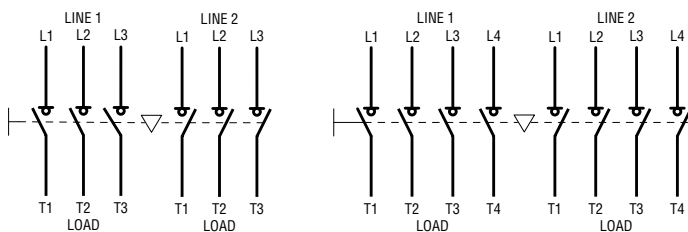
Fuse holder  
**GAX391 - GAX391UL**



### ENCLOSED AND ASSEMBLED MANUAL CHANGEOVER SWITCHES

Three-pole disconnectors **GA...ET6**

Four-pole disconnectors **GA...ET8**

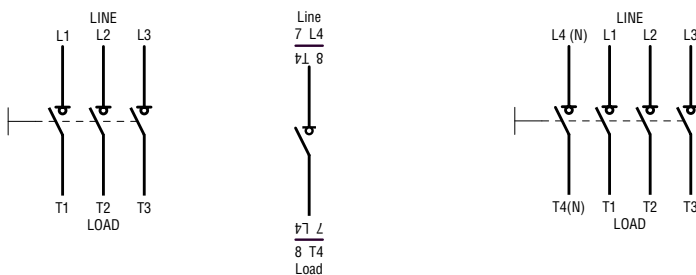


### OPEN AND ENCLOSED GL SERIES 100 TO 1000A SWITCH DISCONNECTORS

Three-pole disconnectors  
**GL0100...GL1000...**  
**GLZM0160...GLZM0315/B**

Fourth pole  
**GLX42...**

Four-pole disconnectors  
**GLZM0160T4...GLZM0315T4/B**

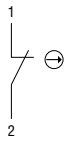


### ADD-ON BLOCKS AND ACCESSORIES

Auxiliary contacts  
**GLX1010EA**



**GLX1001**



Neutral terminal  
**GLX300 - GLX302 - GLX304 - GLX306**

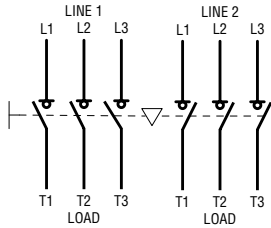


Earth/Ground terminal  
**GLX301 - GLX303 - GLX305 - GLX307**

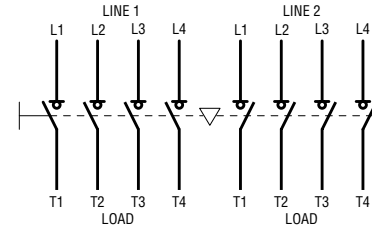


### OPEN AND ENCLOSED GL SERIES 100 TO 1000A MANUAL CHANGEOVER SWITCHES

Three-pole  
**GLC...C1**  
**GLZM...ET6**

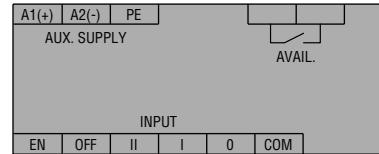


Four-pole  
**GLC...T4C1**  
**GLZM...ET8**



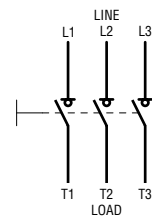
### GL SERIES MOTORISED CHANGEOVER SWITCHES

Motorised control unit  
**GLCMB...**

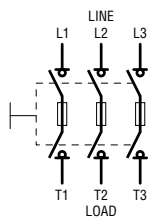


### GE SERIES 50A TO 1600A SWITCH DISCONNECTORS

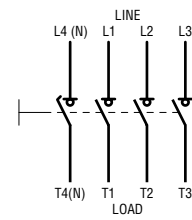
Three-pole  
**GE0160 - GE1600**  
**GE0160P**



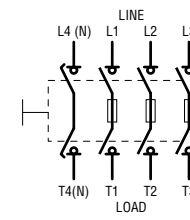
Three-pole with fuse holder  
**GEF0050F - GEF0125F**  
**GEF0063N - GEF0250N**  
**GE0400N - GE0800N**



Four-pole  
**GE0160T4 - GE1600T4**  
**GE0160T4P**

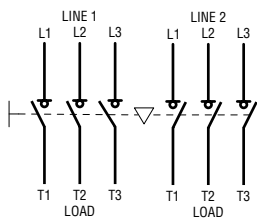


Four-pole with fuse holder  
**GEF0050FT4 - GEF0125FT4**  
**GEF0063NT4 - GEF0250NT4**  
**GE0400NT4 - GE0800NT4**

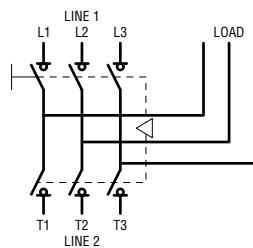


### GE SERIES 160 TO 3150A CHANGEOVER SWITCHES

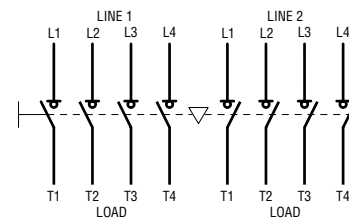
Three-pole  
**GE0160E - GE0200E - GE1600...3150E**



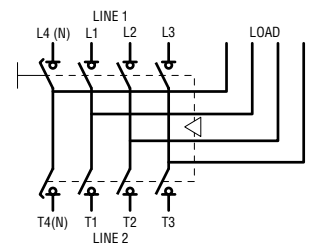
**GE0201E...GE1250E**



Four-pole  
**GE0160ET4 - GE0200ET4 - GE1600...3150ET4**

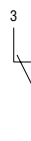


**GE0201ET4...GE1250ET4**

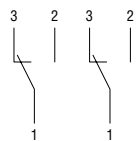


### ADD-ON BLOCKS AND ACCESSORIES

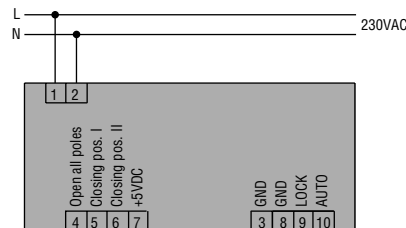
Auxiliary contacts  
**GEX1011...**



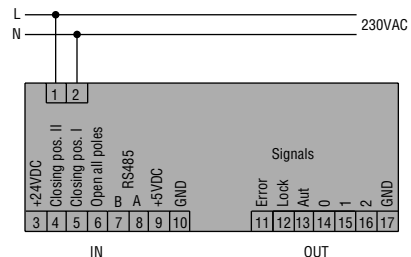
**GEX1022...**



Motorised control unit  
**GEX690C - GEX691C - GEX692C**

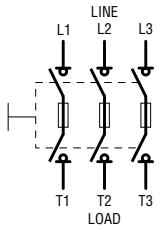


Motorised control unit  
**GEX693C - GEX694C - GEX695C**



### GM SERIES 30A TO 800A SWITCH DISCONNECTORS

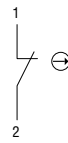
#### GM...030...GM...800



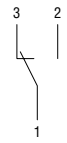
#### Auxiliary contacts GMX1010



#### GMX1001

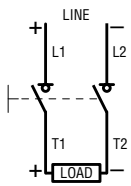


#### GMX1011

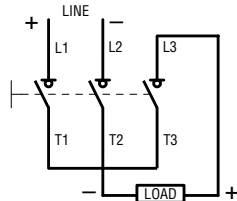


### SWITCH DISCONNECTORS FOR PHOTOVOLTAIC APPLICATIONS GA...D (poles in series to wire)

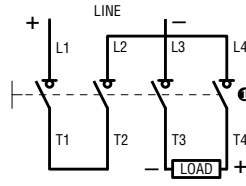
#### One-line control 2 poles in series



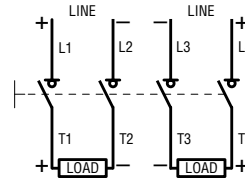
#### 3 poles in series



#### 4 poles in series



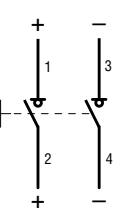
#### Two-lines control 2+2 poles in series



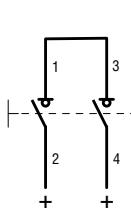
① The positive pole fitted on the right side of the disconnector can also be fitted on the left side; the connections must be changed in consequence.

### SWITCH DISCONNECTORS FOR PHOTOVOLTAIC APPLICATIONS GD... (jumpers supplied as standard)

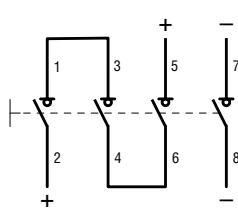
#### One-line control GD...AT2



#### GD...AT3

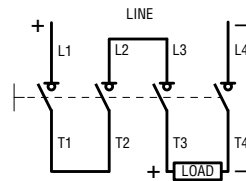


#### GD...AT4

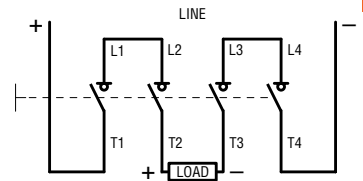


### SWITCH DISCONNECTORS FOR PHOTOVOLTAIC APPLICATIONS GE...DT4 (poles in series to wire)

#### One-line control 4 poles in series

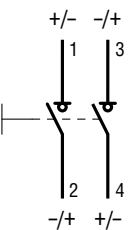


#### 4 (2+2) poles in series

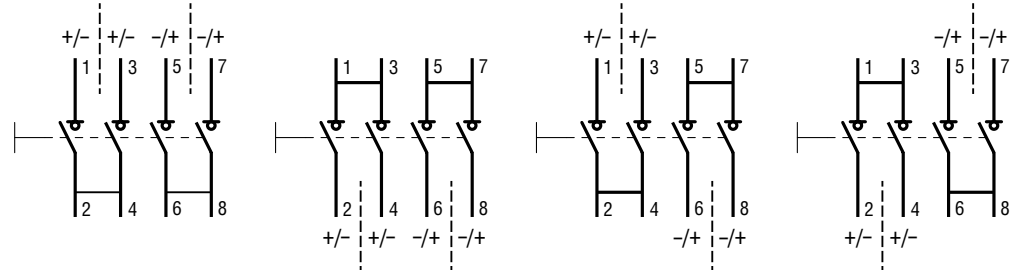


### SWITCH DISCONNECTORS FOR PHOTOVOLTAIC APPLICATIONS GLD...

#### GLD...T2



#### GLD...T4



----- Phase barriers  
 ——— Bridging bars

# 14 Switch disconnectors

Technical characteristics

GA series 16A to 160A - Switch disconnectors



INDEX

## TECHNICAL DATA ACCORDING TO IEC/EN/BS 60947 RATINGS

TYPE	3-pole	GA016...	GA025...	GA032...	GA040...	GA063S...	
	4-pole	GAX4...040...				GAX4...063S...	
<b>CONTACT CHARACTERISTICS</b>							
IEC conventional free air thermal current I <sub>th</sub> (≤40°C)	A	16	25	32	40	63	
IEC rated insulation voltage U <sub>i</sub>	V	1000					
IEC rated impulse withstand voltage U <sub>imp</sub>	kV	8					
IEC rated operational current I <sub>e</sub>							
AC21A	400V A	16	25	32	40	63	
	500V A	16	25	32	40	63	
	690V A	16	25	32	40	63	
AC22A	400V A	16	25	32	40	45	
	500V A	16	25	32	40	45	
	690V A	16	25	32	40	45	
AC23A	400V A	16	25	32	40	45	
	500V A	16	25	25	25	25	
	690V A	16	25	25	25	25	
Power dissipation	W/pole	0.2	0.4	0.6	1	2.9	
IEC rated operational power AC23A							
	400V kW	7.5	11	15	18.5	22	
	690V kW	11	22	22	22	22	
IEC reactive power for control of capacitors 400V	kvar	7.5	10	12.5	15	15	
<b>SHORT CIRCUIT PROTECTION</b>							
Conditional short-circuit current <sup>①</sup>	kA rms	10					
With fuse class gG	A	16	25	32	40	63	
Making capacity AC23A 400V	A	160	250	320	400	450	
Breaking capacity AC23A 400V	A	128	200	256	320	360	
Mechanical life	cycles	100,000					
Electrical life (AC21A)	cycles	100,000				15,000	
Terminals	mm	Pillar terminal 5.6 x 6.5 - M4 Phillips 2					
Tightening torque	Nm	1.8...2					
	lb.in	16...18					
Conductor section min...max	mm <sup>2</sup>	0.75...16					
	AWG	18...6					
<b>AMBIENT CONDITIONS</b>							
Temperature	Operating	°C	-25...+55				
	Storage	°C	-40...+70				
Maximum altitude	m	3000					
Mounting position	Normal	Vertical					
	Admissible	Any					
Fixing		Screw or 35mm DIN rail (IEC/EN 60715)					

① Ratings valid for three-pole switches. For more details contact our Technical support; see contact details on inside front cover.

## TECHNICAL DATA ACCORDING TO UL/CSA RATINGS

TYPE		GA016...	GA025...	GA032...	GA040...	GA063SA	
Compliance	A	UL60947-4-1; CSA C22.2 n°60947-4-1					
General purpose current ratings	A	16	25	32	40	60	
Max operating voltage	V	600					
Horsepower ratings/ motor FLA current three-phase	240V HP/A	5/15.2	7.5/22	10/28	15/42	15/42	
	480V HP/A	10/14	15/21	20/27	20/27	30/40	
	600V HP/A	10/11	20/22	20/22	25/27	32/32	
Short circuit ratings	KA rms	5					
With fuse	class/A	RK5/30	RK5/30	RK5/35	RK5/45	RK5/45	
Minimum enclosure dimensions at rated current	mm (in)	—					

② Up to 480V with protection fuses type CC, J or T (200A max).

# 14 Switch disconnectors

Technical characteristics

GA series 16A to 160A - Switch disconnectors

GA030...	GA063...	GA080...	GA100...	GA125...	GA160...
GAX4...063...		GAX4...080...	GAX4...100...	GAX4...125...	GAX4...160...
30	63	80	100	125	160
1000					
8					
30	63	80	100	125	160
30	63	80	100	125	160
30	63	80	100	125	160
30	63	80	100	125	125
30	63	80	100	125	125
30	63	80	100	125	125
30	63	80	100	125	125
30	63	80	100	125	125
30	63	63	80	100	100
30	47	47	47	47	47
0.4	1.6	2.6	4	6.3	12
15	30	45	55	55	55
30	45	45	45	45	45
12.5	25	30	40	50	50
50					
63	63	80	100	125	160
300	630	800	1000	1250	1250
240	504	640	800	1000	1000
30,000					
30,000					
Pillar terminal 12.4 x 10.4 - M8 Metric Allen key 4					
5...6					
45...54					
4...70					
12...1					
-25...+55					
-40...+70					
3000					
Vertical					
Any					
Screw or 35mm DIN rail (IEC/EN 60715)					
GA030...	GA063...	GA080...	GA100...	GA125...	—
UL98; CSA C22.2 n°4					
30	60	100	100	100	—
600					
10/28	20/54	25/68	30/80	30/80	—
20/27	40/52	40/52	50/65	60/77	—
30/32	40/41	40/41	50/52	60/62	—
100⊕					
J/60	J/60	J/100	J/100	J/100	—
150 x 140 x 110 (5.90 x 5.51 x 4.33)					

# 14 Switch disconnectors

## Technical characteristics GL series 100A to 1000A - Switch disconnectors

### TECHNICAL DATA ACCORDING TO IEC/EN/BS 60947

TYPE	3-pole	GL0160...	GL0200...	GL0250...	GL0315...
	4-pole	GLX420315			
<b>CONTACT CHARACTERISTICS</b>					
IEC conventional free air thermal current I <sub>th</sub> (≤40°C)	A	160	200	250	315
IEC rated insulation voltage U <sub>i</sub>	V	1000			
IEC rated impulse withstand U <sub>imp</sub>	kV	12			
IEC rated operational current I <sub>e</sub>	A	160	200	250	315
AC21A	400V				
	500V	A	200	250	315
	690V	A	200	250	315
AC22A	400V	A	200	250	315
	500V	A	200	250	315
	690V	A	200	250	315
AC23A	400V	A	200	250	315
	500V	A	200	250	250
	690V	A	200	250	250
Power dissipation	W/pole	3.2	4	6.5	6.5
IEC rated operational power	kW	90	110	140	140
AC23A	400V				
	690V	kW	144	200	250
IEC reactive power for control of capacitors 400V	kvar	80	100	115	145
<b>SHORT CIRCUIT PROTECTION</b>					
Rated short-time current I <sub>cs</sub>	(1s)	A	6		
	(0.3s)	A	12		
Conditional short-circuit current	kA rms	100			
With fuse class gG	A	160	200	250	315
Making capacity AC23A 400V	A	1600	2000	2500	2500
Breaking capacity AC23A 400V	A	1280	1600	2000	2000
Mechanical life	cycles	20,000			
Terminal for busbars	mm	M8 x 20			
Tightening torque	Nm	15...22			
	lb.in	132...194			
Conductor section min...max	mm <sup>2</sup>	70...185			
	AWG/Kcmil	00...400			

### AMBIENT CONDITIONS

Temperature	Operating	°C	-25...+55		
	Storage	°C	-40...+70		
Maximum altitude	m	3000			
Mounting position	Normal	Vertical			
	Admissible	Any			
Fixing	By screw. For GL0160...315 also on 35mm DIN rail (IEC/EN 60715)				

● For more details contact our Technical support; see contact details on inside front cover.

### TECHNICAL DATA ACCORDING TO UL/CSA RATINGS

TYPE	3-pole	GL0100C1UL	GL0200C1UL	—	—	
	4-pole	GLX420100UL	GLX420200UL	—	—	
Compliance		UL98 CSA C22.2 N°4	UL98 CSA C22.2 N°4	—	—	
General purpose current ratings	A	100	200	—	—	
Maximum operating voltage	V	600	600	—	—	
Horsepower ratings /motor FLA current three-phase	HP/A	30/80	75/192	—	—	
	240V					
	480V	HP/A	75/96	150/180	—	—
	600V	HP/A	100/99	200/192	—	—
Short circuit rating	KA rms	200	200	—	—	
With fuse	class/A	J/100	J/200	—	—	
Terminal kit lugs		GLX500-GLX501	GLX500-GLX501	—	—	
Minimum enclosure dimensions at rated current	mm (in)	400 x 250 x 150 (15.8 x 9.9 x 5.9)	400 x 250 x 150 (15.8 x 9.9 x 5.9)	—	—	

# 14 Switch disconnectors

Technical characteristics

GL series 100A to 1000A - Switch disconnectors

GL0320... GLX420320	GL0400... GLX420400	GL0500... GLX420500	GL0630... GLX420630	GL0631... GLX420631	GL0800... GLX420800	GL1000... GLX421000
320	400	500	630	630	800	1000
1000			1000			
12			12			
320	400	500	630	630	800	1000
320	400	500	630	630	800	1000
320	400	500	630	630	800	1000
320	400	500	50	630	800	1000
320	400	500	500	630	800	800
320	400	500	630	630	800	1000
320	400	500	500	630	800	1000
320	400	500	500	630	800	800
20.8	26.0	32.5	41.0	25	40	63
160	200	250	355	355	400	560
315	400	500	50	630	800	800
145	180	200	250	—	—	—

12.5			20			
20			—			
80			80		50	
355	400	500	630	630	800	1000
3200	4000	5000	6300	6300	8000	10000
2560	3200	4000	5040	5040	6400	8000
10,000			5,000			
M10 x 25			M12 x 40			
30...37			50...75			
265...327			442...664			
1 x 185...2 x 185			2 X 185... 4 X 300			
1 x 400...2 x 350			2 X 350... 4 X 600			

-25...+55	
-40...+70	
3000	
Vertical	
Any	
By screw	

—	<b>GL0400C1UL</b>	—	—	<b>GL0600C1UL</b>	<b>GL0800C1UL</b>	—
—	<b>GLX420400UL</b>	—	—	<b>GLX420600UL</b>	<b>GLX420800UL</b>	—
—	UL98 CSA C22.2 N°4	—	—	UL98 CSA C22.2 N°4		—
—	400	—	—	600	800	—
—	600	—	—	600		—
—	125/312	—	—	200/480	250/604	—
—	250/302	—	—	450/515	500/590	—
—	350/336	—	—	500/472	500/600	—
—	100	—	—	100		—
—	J/400	—	—	J/600	L/800	—
—	GLX502-GLX503	—	—	GLX506-GLX507		—
—	950 x 350 x 200 (37.4 x 13.8 x 7.9)	—	—	750 x 600 x 250 (29.5 X 23.6 X 9.8)	1000 x 1200 x 300 (39.4 X 47.2 X 11.8)	—

# 14 Switch disconnectors

Technical characteristics  
GL series 100A to 1000A - Manual changeover switches



INDEX

## TECHNICAL DATA ACCORDING TO IEC/EN/BS 60947

TYPE		3-pole	GLC0160...	GLC0200...	GLC0250...	GLC0315...
		4-pole	GLC0160T4...	GLC0200T4...	GLC0250T4...	GLC0315T4...
<b>CONTACT CHARACTERISTICS</b>						
IEC conventional free air thermal current I <sub>th</sub> (≤40°C)	A		160	200	250	315
IEC rated insulation voltage U <sub>i</sub>	V		1000			
IEC rated impulse withstand U <sub>imp</sub>	kV		12			
IEC rated operational current I <sub>e</sub>						
AC31B	400V	A	160	200	250	315
	500V	A	160	200	250	315
	690V	A	160	200	250	315
AC32B	400V	A	160	200	250	315
	500V	A	160	200	250	315
	690V	A	160	200	250	315
AC33B	400V	A	160	200	250	315
	500V	A	160	200	250	250
	690V	A	160	200	250	250
Power dissipation	W/pole		3.2	4	6.5	6.5
IEC rated operational power						
AC23A	400V	kW	90	110	140	140
	690V	kW	144	200	250	250
<b>SHORT CIRCUIT PROTECTION</b>						
Rated short-time current I <sub>cs</sub>	(1s)	kA rms	6			
	(0.3s)	kA rms	12			
Conditional short-circuit current		kA rms	100			
With fuse class gG	A		160	200	250	315
Making capacity AC23A 400V	A		1600	2000	2500	2500
Breaking capacity AC23A 400V	A		1280	1600	2000	2000
Mechanical life		cycles	20,000			
Terminal for busbars		mm	M8 x 20			
Tightening torque		Nm	15...22			
		lb.in	132...194			
Conductor section min...max		mm <sup>2</sup>	70...185			
		AWG/ Kcmil	00...400			
<b>AMBIENT CONDITIONS</b>						
Temperature	Operating	°C	-25...+55			
	Storage	°C	-40...+70			
Maximum altitude		m	3000			
Mounting position	Normal		Vertical			
	Admissible		Any			
Fixing			By screw			

● For more details contact our Technical support; see contact details on inside front cover.

## TECHNICAL DATA ACCORDING TO UL/CSA RATINGS

TYPE		GLC0100...UL	GLC0200...UL	—	—
Compliance	A	UL1008 CSA C22.2 N°4	UL1008 CSA C22.2 N°4	—	—
General purpose current ratings	A	100	200	—	—
Maximum operating voltage	V	600	600	—	—
Horsepower ratings /motor FLA current three-phase	240V	HP/A	30/80	75/192	—
	480V	HP/A	75/96	150/180	—
	600V	HP/A	100/99	200/192	—
Short circuit ratings	KA rms	100	100	—	—
With fuse	class/A	J/100	J/200	—	—
Terminal kit lugs		GLX500-GLX501	GLX500-GLX501	—	—
Minimum enclosure dimensions at rated current	mm (in)	400 x 250 x 150 (15.8 x 9.9 x 5.9)	400 x 250 x 150 (15.8 x 9.9 x 5.9)	—	—

# 14 Switch disconnectors

Technical characteristics  
GL series 100A to 1000A - Manual changeover switches

	GLC0320... GLC0320T4...	GLC0400... GLC0400T4...	GLC0500... GLC0500T4...	GLC0630... GLC0630T4...	GLC0631... GLC0631T4...	GLC0800... GLC0800T4...	GLC1000... GLC1000T4...
	320	400	500	630	630	800	1000
	1000			1000			
	12			12			
	320	400	500	630	630	800	1000
	320	400	500	630	630	800	1000
	320	400	500	630	630	800	1000
	320	400	500	630	630	800	1000
	320	400	500	500	630	800	1000
	320	400	500	500	630	800	800
	320	400	500	630	630	800	1000
	320	400	500	500	630	800	1000
	320	400	500	500	630	800	800
	20.8	26.0	32.5	41.0	25	40	63
	160	200	250	355	355	400	560
	315	400	500	500	630	800	800
	12.5			20			
	20			-			
	80			80			
	355	400	500	630	630	800	1000
	3200	4000	5000	6300	6300	8000	10000
	2560	3200	4000	5040	5040	6400	8000
	10,000			5,000			
	M10 x 25			M12 x 40			
	30...37			50...75			
	265...327			442...664			
	1 x 185...2 x 185			2 X 185... 4 X 300			
	1 x 400...2 x 350			2 X 350... 4 X 600			
	-25...+55						
	-40...+70						
	3000						
	Vertical						
	Any						
	By screw						

	—	<b>GLC0400...UL</b>	—	—	—	—	—
	—	UL1008 CSA C22.2 N°4	—	—	—	—	—
	—	400	—	—	—	—	—
	—	600	—	—	—	—	—
	—	125/312	—	—	—	—	—
	—	250/302	—	—	—	—	—
	—	350/336	—	—	—	—	—
	—	100	—	—	—	—	—
	—	J/400	—	—	—	—	—
	—	GLX502-GLX503	—	—	—	—	—
	—	950 x 350 x 260 (37.4 x 13.8 x 10.3)	—	—	—	—	—

# 14 Switch disconnectors

Technical characteristics

GL series 100A to 1000A - Motorised changeover switches

## TECHNICAL DATA ACCORDING TO IEC/EN/BS 60947

TYPE	3-pole	GLCMB0125...	GLCMB0160...	GLCMB0200...	GLCMB0250...	GLCMB0315...
	4-pole	GLCMB0125T4...	GLCMB0160T4...	GLCMB0200T4...	GLCMB0250T4...	GLCMB0315T4...

### CONTACT CHARACTERISTICS

IEC conventional free air thermal current I <sub>th</sub> (≤40°C)	A	125	160	200	250	315	
IEC rated insulation voltage U <sub>i</sub>	V	1000					
IEC rated impulse voltage withstand U <sub>imp</sub>	kV	12					
IEC rated operational current I <sub>e</sub>							
AC31B	400V	A	125	160	200	250	315
	500V	A	125	160	200	250	315
	690V	A	125	160	200	250	315
AC32B	400V	A	125	160	200	250	315
	500V	A	125	160	200	250	315
	690V	A	125	160	200	250	315
AC33B	400V	A	125	160	200	250	315
	500V	A	125	160	200	250	250
	690V	A	125	160	200	250	250
Power dissipation	W/pole	1.8	3.2	4	6.5	6.5	
IEC rated operational power							
AC23A	400V	kW	55	90	110	140	140
	690V	kW	110	144	200	250	250

### SHORT CIRCUIT PROTECTION

Rated short-time current I <sub>cs</sub>	(1s)	kA rms	6			
	(0.3s)	kA rms	12			
Conditional short-circuit current		kA rms	100			
With fuse class gG	A	125	160	200	250	315
Making capacity AC23A 400V	A	1250	1600	2000	2500	2500
Breaking capacity AC23A 400V	A	1000	1280	1600	2000	2000
Mechanical life		cycles	20,000			
Terminals		mm	M8 x 20			
Tightening torque		Nm	15...22			
		lb.in	132...194			
Conductor section min...max		mm <sup>2</sup>	70...185			
		AWG/ Kcmil	00...400			

### AMBIENT CONDITIONS

Temperature	Operating	°C	-25...+55			
	Storage	°C	-40...+70			
Maximum altitude		m	3000			
Mounting position	Normal		Vertical			
	Admissible		Any			
Fixing			Screw			

#### MOTOR CHARACTERISTICS

TYPE		GLCMB...D024	GLCMB...E110	GLCMB...A230
Rated auxiliary supply voltage	V	24VDC	110...125VAC/DC	208...277VAC
Operating voltage range	V	19.2...31.2VDC	77...165VAC/DC	166...332VAC
Transition time I-0, 0-I	ms	720...1080		
Transition time II-0, 0-II	ms	720...1080		
Transition time I-0-II, II-0-I	s	1.2...1.8	1.6...2.4	1.2...1.8
Rated current I <sub>n</sub>	A	2.7...3.3	0.72...0.88	0.36...0.44
In-rush current	A	5.4...6.6	1.8...2.2	0.9...1.1

For more details contact our Technical support; see contact details on inside front cover.

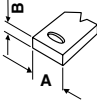
#### TECHNICAL DATA ACCORDING TO UL/CSA RATINGS

TYPE		GLCMB0100...UL	GLCMB0200...UL	
Compliance	A	UL1008 CSA C22.2 N°4	UL1008 CSA C22.2 N°4	
General purpose current ratings	A	100	200	
Maximum operating voltage	V	600	600	
Horsepower ratings /motor FLA current three-phase	240V	HP/A	30/80	75/192
	480V	HP/A	75/96	150/180
	600V	HP/A	100/99	200/192
Short circuit ratings	KA rms	100	100	
With fuse	class/A	J/100	J/200	
Terminal kit lugs		GLX500-GLX501	GLX500-GLX501	
Minimum enclosure dimensions at rated current	mm (in)	400 x 250 x 150 (15.8 x 9.9 x 5.9)	400 x 250 x 150 (15.8 x 9.9 x 5.9)	

# 14 Switch disconnectors

Technical characteristics

GE series 50A to 3150A - Switch disconnectors

TYPE	3-pole		GE0160P GE0160	GE0200	GE0250	GE0251	GE0315	GE0400		
	4-pole <sup>⑤</sup>		GE0160T4P GE0160T4	GE0200T4	GE0250T4	GE0251T4	GE0315T4	GE0400T4		
<b>CONTACTS CHARACTERISTICS</b>										
IEC conventional free air thermal current I <sub>th</sub> (≤40°C)	A		160	200	250	250	315	400		
IEC rated insulation voltage U <sub>i</sub>	V		1000							
IEC rated impulse withstand U <sub>imp</sub>	kV		8							
<b>IEC rated operational current I<sub>e</sub></b>										
AC21A	400V	A	160	200	250	250	315	400		
	500V	A	160	200	200	250	315	400		
	690V	A	160	180	180	200	250	250		
AC22A	400V	A	160	200	250 (AC22B) 200 (AC22A)	250	315	400		
	500V	A	160	200	200	250	315	400		
	690V	A	125	160	160	160	200	200		
AC23A	400V	A	160	160	160	250	315	400		
	500V	A	125	125	125	200	250	315		
	690V	A	80	80	80	160	160	160		
Power dissipation	W/pole		4	6	9	2.5	6.5	10.5		
IEC reactive power for control of capacitors 400V senφ=0.65	kvar		72	72	72	112	142	180		
<b>IEC rated operational power</b>										
AC23A	400V	kW	90	90	90	138	174	220		
	690V	kW	75	75	75	153	153	153		
<b>Short circuit protection</b>										
Rated short-time current (1s) I <sub>cs</sub>	kA rms		7				12			
Conditional short-circuit current <sup>①</sup>	kA rms		100							
With fuse class gG	A		160	200	250		315	400		
Making capacity AC23A 400V	A		1600			2500		3150	4000	
Breaking capacity AC23A 400V	A		1280			2000		2520	3200	
Mechanical life	cycles		30,000				20,000			
Electrical life (AC23A 400V)	cycles		1,000							
Terminals 	type		Lug terminal <sup>②</sup> or bars							
	A mm		18	26			25			
	B mm		3				4			
	screw		M8	M10						
Tightening torque	Nm		13 <sup>④</sup>	18				24		
	lb.in		88 <sup>④</sup>	150				212		
Max. conductor section	mm <sup>2</sup>		95	120			185			
Max. bar size (thickness-width)	mm		5-25 <sup>③</sup>	5-30			7-25			
<b>AMBIENT CONDITIONS</b>										
Temperature	Operating	°C	-25...+55							
	Storage	°C	-40...+70							
Maximum altitude	m		3000							
Mounting position	Normal		Vertical							
	Admissible		Any							
Fixing			Screw							

- ① With protection fuse limiting peak current and specific through energy.
- ② Not suitable for types GE0160P and GE0160T4P.
- ③ Types GE...P have hex terminals IP20.
- ④ 4Nm/35lb.in only for types GE...P.
- ⑤ The 4-pole types (3P+N) have early-make late-break neutral pole.

# 14 Switch disconnectors

Technical characteristics

GE series 50A to 3150A - Switch disconnectors

	GE0500	GE0630	GE0800	GE1000	GE1250	GE1600
	GE0500T4	GE0630T4	GE0800T4	GE1000T4	GE1250T4	GE1600T4
	500	630	800	1000	1250	1600
	1000					
	12					
	500	630	800	1000	1250	1600
	500	630	800	1000	1250	1600
	500	630	800	1000	1000	1600
	500	630	800	1000	1250	1600
	500	630	800	1000	1000	1250
	400	500	500	630	630	1000
	500	630	800	1000	1000	1000
	400	500	500	800	800	900
	250	315	315	500	500	630
	22	35	56	50	78	128
	225	284	284	360	360	450
	220	349	443	443	443	554
	239	300	300	478	478	600
	16			25		50
	100			72		75
	500	630	800	1000	1250	2 x 800
	5000	6300		8000		10000
	4000	5000		6400		8000
	10,000					
	1,000		500			
	Lug terminal Ⓢ or bars					
	25	30		40		60
	5			8		10
	M10			M14		M14
	24			45		55
	212			292		487
	2 x 185	2 x 240	2 x 240	2 x 300		—
	6-40	2 x 5-40	2 x 5-50	2 x 10-50		2 x 10-80
	-25...+55					
	-40...+70					
	3000					
	Vertical					
	Any					
	Screw					

# 14 Switch disconnectors

Technical characteristics

GE series 50A to 3150A - Switch disconnectors with fuse holder

TYPE	NFC	3-pole	GEF0050F	—	GEF0100F	GEF0125F	—	—	
		4-pole	GEF0050FT4	—	GEF0100FT4	GEF0125FT4	—	—	
	NH	3-pole	—	GEF0063N	GEF0100N	GEF0125N	GEF0160N	GEF0250N	
		4-pole	—	GEF0063NT4	GEF0100NT4	GEF0125N4	GEF0160NT4	GEF0250NT4	

**CONTACT CHARACTERISTICS**

IEC conventional free air thermal current I <sub>th</sub> (≤40°C)	A	50	63	100	125	160	250	
IEC rated insulation voltage U <sub>i</sub>		1000						
IEC rated impulse withstand U <sub>imp</sub>		8						12
IEC rated operational current I <sub>e</sub>		—						
AC21A	400V	A	50	63	100	125	160	250
	500V	A	50	63	100	125	160	250
	690V	A	—					
AC22A	400V	A	50	63	100	125	160	250
	500V	A	50	63	80	125	125	250
	690V	A	—					
AC23A	400V	A	50	63	100	125	160 ①	250
	500V	A	50	50	63	125	125	200
	690V	A	—					
Power dissipation	NFC	W/pole	4.8	—	9	11.4	—	
	NH	W/pole	—	5.8	6.6	9	11.2	17
Conditional short circuit current	kA rms	100						
Making capacity AC23A 400V	A	500	630	800	1250	1600	2500	
Breaking capacity AC23A 400V	A	400	504	640	1000	1280	2000	
Mechanical life	cycles	10,000				8,000		
Electrical life (AC23A 400V)	cycles	—						
Terminals		type	Hex terminals			Lug terminal or bars		
		A mm	—			25	30	
		B mm	—			3	7	
		screw	—			M8	M10	
Tightening torque	Nm	2			6	18		
	lb.in	17.7			53	159		
Max. conductor section	mm <sup>2</sup>	25	50		70	185		
Max. bar size (thickness-width)	mm	—			3-25	7-30		

**AMBIENT CONDITIONS**

Temperature	Operating	°C	25...+55					
	Storage	°C	-40...+70					
Maximum altitude	m	3000						
Mounting position	Normal	Vertical						
	Admissible	Any						
Fixing	Screw							

① Value in AC23B.

# 14 Switch disconnectors

Technical characteristics

GE series 50A to 3150A - Switch disconnectors with fuse holder

	—	—	—
	—	—	—
	<b>GE0400N</b>	<b>GE0630N</b>	<b>GE0800N</b>
	<b>GE0400NT4</b>	<b>GE0630NT4</b>	<b>GE0800NT4</b>
	400	630	800
		1000	
		12	
	400	630	800
	400	630	800
	400	630	630
	400	630	800
	400	630	800
	400	630	630
	400	630	630
	400	630	630
	400	630	630
	315	400	400
		—	
	30	48	57
		100	
	4000	6300	
	3200	5100	
	10,000	5,000	
		1,000	500
		Lug terminal or bars	
	35	40	50
	5	6	
	M10	M12	4 x M8
	24	45	13
	212	398	115
	240	2 x 185	2 x 240
	6-40	2 x 7-50	2 x 7-50
		-25...+55	
		-40...+70	
		3000	
		Vertical	
		Any	
		Screw	

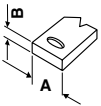
# 14 Switch disconnectors

Technical characteristics

GE series 50A to 3150A - Changeover switches



INDEX

TYPE		3-pole	GE0160E	GE0200E	GE0201E	GE0250E	GE0315E	GE0400E	
		4-pole <sup>②</sup>	GE0160ET4	GE0200ET4	GE0201ET4	GE0250ET4	GE0315ET4	GE0400ET4	
<b>CONTACT CHARACTERISTICS</b>									
IEC conventional free air thermal current I <sub>th</sub> (≤40°C)		A	160	200		250	315	400	
IEC rated insulation voltage U <sub>i</sub>		V	1000						
IEC rated impulse withstand U <sub>imp</sub>		kV	8						
IEC rated operational current I <sub>e</sub>									
AC21A	400V	A	160	200	200	250	315	400	
	500V	A	160	200	200	250	315	400	
	690V	A	160	200	200	250	315	400	
AC22A	400V	A	160	200	200	250	315	400	
	500V	A	160	200	200	250	315	400	
	690V	A	125	160	160	200	250	315 <sup>③</sup>	
AC23A	400V	A	160	160	160	180	200	250	
	500V	A	125	125	125	150	160	200	
	690V	A	80	80	80	100	125	160	
Power dissipation		W/pole	4	6	8	8.5	13.5	22	
IEC reactive power for control of capacitors 400V		kvar	72	72	83	104	131	166	
IEC rated operational power									
AC23A	400V	kW	89	89	100	100	125	125	
	690V	kW	76	76	69	86	108	138	
<b>Short circuit protection</b>									
Rated short-time current (1s) I <sub>cs</sub>		kA rms	7	7	8				
Conditional short-circuit current <sup>①</sup>		kA rms	100	100	100				
With fuse class gG		A	160	200	250	315	400		
Making capacity AC23A 400V		A	1600	1600	3150	4000			
Breaking capacity AC23A 400V		A	1280	1280	2520	3200			
Mechanical life		cycles	30,000	30,000	10,000				
Electrical life (AC22A 400V)		cycles	1,000	1,000	1,000				
Terminals		type	Lug terminal or bars						
		A mm	18	26	25			35	
		B mm	3	3					
		screw	M8	M10					
Tightening torque		Nm	13	24					
		lb.in	115	212					
Max. conductor section		mm <sup>2</sup>	95	120	240				
Max. bar size (thickness-width)		mm	4-13	13-18	2 x 5-30				
<b>AMBIENTAL CONDITIONS</b>									
Temperature	Operating	°C	-25...+55						
	Storage	°C	-40...+70						
Maximum altitude		m	3000						
Mounting position	Normal		Vertical						
	Admissible		Any						
Fixing			Screw						

① With protection fuse limiting peak current and specific through energy.

② The 4-pole types (3P+N) have early-make late-break neutral pole.

③ Value in AC22B.

# 14 Switch disconnectors

Technical characteristics

GE series 50A to 3150A - Changeover switches

	GE0500E	GE0630E	GE0800E	GE1000E	GE1250E	GE1600E	GE2000E	GE2500E	GE3150E
	GE0500ET4	GE0630ET4	GE0800ET4	GE1000ET4	GE1250ET4	GE1600ET4	GE2000ET4	GE2500ET4	GE3150ET4
	500	630	800	1000	1250	1600	2000	2500	3150
	1000								
	12						8		
	500	630	800	1000	1250	1600	2000	2500	3150
	500	630	800	1000	1250	1600	2000	2500	3150
	500	630	800	1000	1250	1600	1800	2500	2500
	500	630	800	1000	1250	1600	2000	2500	2500
	500	630	800	1000	1250	1250	1800	1800	2000
	400	500	630 <sup>③</sup>	800	1000 <sup>③</sup>	1000	1600	1800	1800
	400	500	630	1000	1000	1000	1250	1800	1800
	250	315	400	800	900	900	900	1250	1400
	250	250	315	630	630	630	630	1000	1000
	28	44.5	72	76	118	128	59.60	213	338
	208	262	333	415	415	450	562	811	900
	200	200	315	500	525	550	692	997	1100
	173	216	272	544	575	600	764	956	956
	13		25			35	50		
	100			72			75	100	100
	500	630	800	1000	1250	2 x 800	–	–	–
	6300		8000	10000	10000	10000	12500	18000	20000
	5040		6400	8000	8000	8000	10000	14400	1600
	10,000		10,000				3,000	600	
	1,000		500						
	Lug terminal or bars								
	40			50		60	80		100
	5			6		10	10	2 x 15	
	M12			M14		M14	M14	M12	
	24			45		55	55	45	
	212			398		487	487	398	
	2 x 240			–	–	–	–	–	–
	2 x 6-45			2 x 10-60		2 x 7-80	2 x 10-80	3 x 12-80	3 x 12-100
	25...+55						-30...+70		
	-40...+70						-40...+75		
	3000								
	Vertical								
	Any								
	Screw								

- ① With protection fuse limiting peak current and specific through energy.
- ② The 4-pole types (3P+N) have early-make late-break neutral pole.
- ③ Value in AC22B.

# 14 Switch disconnectors

## Technical characteristics

### GM series 30A to 800A - Switch disconnectors with fuse holder (UL98)

TYPE	3-pole	GMF...030...	GMFJ060...	GMFJ100C03	GMFJ200C03	GMFJ400C03	GMFJ600C03	GMFL800C03
<b>CONTACT CHARACTERISTICS</b>								
IEC conventional free air thermal current I <sub>th</sub> (≤40°C)	A	32	63	160	200	400	630	800
IEC rated insulation voltage U <sub>i</sub>	V	1000						
IEC rated impulse voltage withstand U <sub>imp</sub>	kV	12						
IEC rated operational current I <sub>e</sub>								
AC21A								
400V	A	32	63	160	200	400	630	800
500V	A	32	63	160	200	400	630	800
690V	A	32	63	160	200	400	630	800
AC22A								
400V	A	32	63	160	200	400	630	80
500V	A	32	63	160	200	400	630	800
690V	A	32	63	160	200	400	630	800
AC23A								
400V	A	32	63	160	200	400	630	800
500V	A	32	63	160	200	400	630	800
690V	A	32	63	160	200	400	630	800
Power dissipation (without fuse)	W/pole	2	4	9	8	30	46	75
Max fuse power in open air dissipation	W	3.5	7.5	12	17	45	60	65
in enclosure	W	3.5	7.5	12	15	30	50	55
IEC rated operational power								
AC23A								
400V	kW	15	30	75	110	220	355	450
690V	kW	22	55	132	200	400	630	710
IEC short circuit protection								
Rated short-time current (1s) I <sub>cw</sub>	kA rms	1	2.5	5	8	14	20	20
Conditional short circuit current	kA rms	200						
With fuse	A/class	30/J-CC	60/J	100/J	200/J	400/J	600/J	800/L
Making capacity AC23A 690V	A	320	630	1600	2000	4000	6300	8000
Breaking capacity AC23A 690V	A	256	504	1280	1600	3200	6400	6400
Mechanical life	cycles	10,000		8,000		5,000		3,000
Min. electrical endurance (pf=0.75...0.8)	cycles	6000				1000	1000	500
Fuse-links bolts tightening torque	Nm	-	-	4	4	20	40	40
Terminal lug kits		Built-in		GMX500	GMX501	GMX502	GMX504	GMX504
Conductor section min...max	mm <sup>2</sup>	1...10	2.5...25	2.5...70	25...150	35...300	2 X 35...600	2 X 35...600
	AWG	18-8	14-4	14-2/0	4-300MCM	2-600MCM	(2)x2-600MCM	(2)x2-600MCM
Conductor tightening torque	Nm	2	3.5	13.5	31	42.5	56.5	56.5
	lb.in	17	30	120	275	375	500	500
Terminal lugs tightening torque	Nm	-	-	5.5	8	27	54	54
	lb.in	-	-	50	72	240	480	480
<b>AMBIENT CONDITIONS</b>								
Temperature operating	°C	-25...+55						
storage	°C	-40...+70						
Maximum altitude	m	3000						
Mounting position normal		Vertical						
admissible		Any						
Fixing	A	Screw or 35mm DIN rail (IEC/EN 60715)			Screw			

#### TECHNICAL DATA ACCORDING TO UL/CSA RATINGS

TYPE	3-pole	GMF...030...	GMFJ060...	GMFJ100C03	GMFJ200C03	GMFJ400C03	GMFJ600C03	GMFL800C03
<b>CHARACTERISTICS</b>								
Compliance		UL98						
General purpose rating (≤40°C)	A	30	60	100	200	400	600	800
Max operating voltage U <sub>i</sub>	V	600						
Horsepower ratings/motor FLA current three-phase								
240V	HP/A	7.5/22	15/42	30/80	60/154	125/312	200/480	250/602
480V	HP/A	15/21	30/40	60/77	125/156	250/302	400/477	500/590
600V	HP/A	20/22	50/52	75/77	150/144	350/336	500/472	600/472
Short circuit ratings	KA rms	200						
With fuse	A/class	30/J-CC	60/J	100/J	200/J	400/J	600/J	800/L
Terminal lug kits		Built-in		GMX500	GMX501	GMX502	GMX504	GMX504

# 14 Switch disconnectors

Technical characteristics

GA and GD series for photovoltaic applications

TYPE	3-pole	GA040D	GD025AT2	GD025AT3	GD032AT3	GD032AT4	GD040AT3	GD040AT4
	4th pole	GAX42040D	—	—	—	—	—	—
<b>CONTACT CHARACTERISTICS</b>								
IEC conventional free air thermal current I <sub>th</sub> (≤40°C)	A	40	25	25	32	32	40	40
IEC rated insulation voltage U <sub>i</sub>	V	1000	1000 / 1500 <sup>①</sup>					
IEC rated impulse withstand U <sub>imp</sub>	kV	8						
IEC rated operational current I <sub>e</sub> DC21B <sup>②</sup>								
	≤800V	A	—	25	25	32	32	40
	1000V	A	—	16	25	32	32	40
	①1200V	A	—	—	—	—	25	3
	①1500V	A	—	—	—	—	20	25
2 poles in series	300V	A	16	—	—	—	—	—
3 poles in series	48V	A	40	—	—	—	—	—
	110V	A	35	—	—	—	—	—
	220V	A	32	—	—	—	—	—
	500V	A	12	—	—	—	—	—
4 poles in series	400V	A	35	—	—	—	—	—
	440V	A	32	—	—	—	—	—
	500V	A	32	—	—	—	—	—
	600V	A	20	—	—	—	—	—
	700V	A	15	—	—	—	—	—
	750V	A	15	—	—	—	—	—
	800V	A	15	—	—	—	—	—
Power dissipation	W/pole	1.0	0.8		1.2		1.9	
Mechanical life	cycles	100,000	10,000					
Terminals	type	Mantle						
		Screw with washer						
	A mm	5.6						
	B mm	6.5						
	Screw	M4						
	Tool	Phillips 2						
		Phillips 1						
Tightening torque	Nm	1.8...2		1.2...1.6				
	lb.in	16...18		10...14				
Conductor section min.-max.	mm <sup>2</sup>	0.75...16		1...10				
	AWG	18...6		18...8				
<b>AMBIENT CONDITIONS</b>								
Temperature	Operating	°C	-25...+55					
	Storage	°C	-40...+70					
Maximum altitude	m	3,000	2,000					
Mounting position	Normal	Vertical						
	Admissible	Any						
Fixing	Screw or 35mm DIN rail (IEC/EN 60715)							



① 1000V pollution degree 3; for higher voltages pollution degree 2.  
 ② For GD series refer to wiring diagrams on page 14-81. DCPV1 utilisation category.

# 14 Switch disconnectors

Technical characteristics  
GLD series for photovoltaic applications



INDEX

TYPE		GLD0100T2...	GLD0160T2...	GLD0200T2...	GLD0250T2...	GLD0315T2...	GLD0100T4...	GLD0160T4...	GLD0200T4...	GLD0250T4...	GLD0315T4...	
<b>CONTACT CHARACTERISTICS</b>												
IEC conventional free air thermal current I <sub>th</sub> (≤40°C)	A	100	160	200	250	315	100	160	200	250	315	
IEC rated insulation voltage U <sub>i</sub>	V	1000					1500					
IEC rated impulse withstand U <sub>imp</sub>	kV	12					12					
IEC rated operational current I <sub>e</sub>												
DC PV1	800V	A	100	160	200	250	315	100	160	200	250	315
	1000V	A	100	160	200	250	250	100	160	200	250	315
	1500V	A	–	–	–	–	–	100	160	200	250	315
Power dissipation	W/pole	1.1	3.2	4	6.5	11	1.1	3.2	4	6.5	11	
Mechanical life	cycles	20,000					20,000					
Terminals	mm	M8 x 20					M8 x 20					
Tightening torque	Nm	15...22					15...22					
	lb.in	132...194					132...194					
Conductor section min...max	mm <sup>2</sup>	70...185					70...185					
	AWG/Kcmil	00...400					00...400					
<b>AMBIENT CONDITIONS</b>												
Temperature	Operating	°C	-25...+55					-25...+55				
	Storage	°C	-40...+70					-40...+70				
Operating		m	3000					3000				
Mounting position	Normal		Vertical					Vertical				
	Admissible		Any					Any				
Fixing		Screw or 35mm DIN rail (IEC/EN/BS 60715)					Screw or 35mm DIN rail (IEC/EN/BS 60715)					

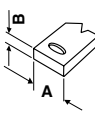
## TECHNICAL DATA ACCORDING TO UL/CSA RATINGS

TYPE		GLD0100T2...UL	GLD0200T2...UL	GLD0100T4...UL	GLD0200T4...UL	
Compliance		UL98B		UL98B		
Max operating voltage U <sub>i</sub>	V	1000		1500		
General purpose current ratings	1000V	A	100	200	100	200
	1500V	A	–	–	100	200
Terminal kit lugs		GLDX501		GLDX501		
Minimum enclosure dimensions at rated current	mm (in)	950 x 350 x 200 (37.4 x 13.8 x 7.9)		950 x 350 x 200 (37.4 x 13.8 x 7.9)		

# 14 Switch disconnectors

Technical characteristics

GE series for photovoltaic applications

TYPE	4-pole	GE0630DT4	GE0800DT4	GE1250DT4	
<b>CONTACT CHARACTERISTICS</b>					
IEC conventional free air thermal current I <sub>th</sub> (≤40°C)	A	630	800	1250	
IEC rated insulation voltage U <sub>i</sub>	V	1000			
IEC rated impulse withstand U <sub>imp</sub>	kV	12			
IEC rated operational current I <sub>e</sub> DC21B	48V A	630	800	1250	
4 poles in series	110V A	630	800	1250	
	220V A	630	800	1250	
	400V A	630	800	1250	
	440V A	630	750	1250	
	500V A	630	700	1250	
	600V A	630	700	1250	
	750V A	630	650	1050	
	800V A	600	630	1000	
	850V A	600	630	940	
	900V A	600	630	870	
1000V A	500	630	850		
Power dissipation	W/pole	15.5	24.7	36.1	
Mechanical life	cycles	10,000			
Terminals		type	Lug terminal or bars		
		A mm	30	30	40
		B mm	5	5	8
		screw	M10	M10	M14
Tightening torque	Nm	24	24	45	
	lb.in	212	212	398	
Max. bar size (thickness-width)	mm	2 x 5-40 (thickness-width)	2 x 5-40	2 x 10-50	
Max. conductor section	mm <sup>2</sup>	2 x 240	2 x 240	2 x 300	
<b>AMBIENT CONDITIONS</b>					
Temperature	Operating	°C	-25...+55		
	Storage	°C	-40...+70		
Maximum altitude		m	3000		
Mounting position	Normal		Vertical		
	Admissible		Any		
Fixing			Screw		