



Product designation				Power contactor
Product type designation				BG09
<b>Contact characteristics</b>				
Number of poles	Nr.			3
Rated insulation voltage U <sub>i</sub> IEC/EN	V			690
Rated impulse withstand voltage U <sub>imp</sub>	kV			6
Operational frequency	min	Hz	25	
	max	Hz	400	
IEC Conventional free air thermal current I <sub>th</sub>	A			20
Operational current I <sub>e</sub>	AC-1 (=40°C)	A	20	
	AC-3 (=440V =55°C)	A	9	
	AC-4 (400V)	A	4	
Rated operational power AC-3 (T=55°C)	230V	kW	2.2	
	400V	kW	4	
	415V	kW	4.3	
	440V	kW	4.5	
	500V	kW	5	
	690V	kW	5	
Rated operational power AC-1 (T=40°C)	230V	kW	8	
	400V	kW	14	
	500V	kW	16	
	690V	kW	22	
IEC max current I <sub>e</sub> in DC1 with L/R = 1ms with 1 poles in series	=24V	A	12	
	48V	A	10	
	75V	A	4	
	110V	A	3	
	220V	A	-	
	IEC max current I <sub>e</sub> in DC1 with L/R = 1ms with 2 poles in series	=24V	A	15
48V		A	14	
75V		A	9	
110V		A	8	
220V		A	-	
IEC max current I <sub>e</sub> in DC1 with L/R = 1ms with 3 poles in series		=24V	A	16
	48V	A	16	
	75V	A	10	
	110V	A	10	
	220V	A	2	
	IEC max current I <sub>e</sub> in DC1 with L/R = 1ms with 4 poles in series	=24V	A	16
48V		A	16	
75V		A	10	
110V		A	10	
220V		A	2	

	=24V	A	16
	48V	A	16
	75V	A	10
	110V	A	10
	220V	A	2
<hr/>			
IEC max current I <sub>e</sub> in DC3-DC5 with L/R = 15ms with 1 poles in series	=24V	A	7
	48V	A	6
	75V	A	2
	110V	A	1
	220V	A	–
<hr/>			
IEC max current I <sub>e</sub> in DC3-DC5 with L/R = 15ms with 2 poles in series	=24V	A	8
	48V	A	8
	75V	A	5
	110V	A	4
	220V	A	–
<hr/>			
IEC max current I <sub>e</sub> in DC3-DC5 with L/R = 15ms with 3 poles in series	=24V	A	10
	48V	A	10
	75V	A	6
	110V	A	5
	220V	A	0,8
<hr/>			
IEC max current I <sub>e</sub> in DC3-DC5 with L/R = 15ms with 4 poles in series	=24V	A	10
	48V	A	10
	75V	A	6
	110V	A	5
	220V	A	0,8
<hr/>			
Short-time allowable current for 10s (IEC/EN60947-1)		A	96
<hr/>			
Protection fuse	gG (IEC)	A	20
	aM (IEC)	A	10
<hr/>			
Making capacity (RMS value)		A	92
<hr/>			
Breaking capacity at voltage	440V	A	72
	500V	A	72
	690V	A	72
<hr/>			
Resistance per pole (average value)		m?	10
<hr/>			
Power dissipation per pole (average value)	I <sub>th</sub>	W	4
	AC3	W	0.81
<hr/>			
Tightening torque for terminals	min	Nm	0.8
	max	Nm	1
	min	I <sub>bin</sub>	9
	max	I <sub>bin</sub>	9
<hr/>			
Tightening torque for coil terminal	min	Nm	0.8
	max	Nm	1
	min	I <sub>bin</sub>	9
	max	I <sub>bin</sub>	9
<hr/>			
Max number of wires simultaneously connectable		Nr.	2

Conductor section			
AWG/Kcmil		max	12
Flexible w/o lug conductor section			
		min	mm <sup>2</sup> 0.75
		max	mm <sup>2</sup> 2.5
Flexible c/w lug conductor section			
		min	mm <sup>2</sup> 1.5
		max	mm <sup>2</sup> 2.5
Flexible with insulated spade lug conductor section			
		min	mm <sup>2</sup> 1.5
		max	mm <sup>2</sup> 2.5
Power terminal protection according to IEC/EN 60529			IP20 when wired
<b>Mechanical features</b>			
Operating position			
		normal allowable	Vertical plan ±30°
Fixing			Screw / DIN rail 35mm
Weight			g 179
Conductor section			
AWG/kcmil conductor section		max	12
<b>Auxiliary contact characteristics</b>			
Thermal current I <sub>th</sub>		A	10
IEC/EN 60947-5-1 designation		A600 - Q600	
Operating current AC15			
	230V	A	3
	400V	A	1.9
	500V	A	1.4
Operating current DC12			
	110V	A	2.9
Operating current DC13			
	24V	A	2.9
	48V	A	1.4
	60V	A	1.2
	110V	A	0.6
	125V	A	0.55
	220V	A	0.3
	600V	A	0.1
<b>Operations</b>			
Mechanical life		cycles	2000000
Electrical life		cycles	500000
<b>Safety related data</b>			
Performance level B10d according to EN/ISO 13489-1			
	rated load	cycles	500000
	mechanical load	cycles	20000000
Mirror contacts according to IEC/EN 60947-4-1			yes
EMC compatibility			yes
<b>AC coil operating</b>			
Rated AC voltage at 60Hz		V	120
AC operating voltage			
of 60Hz coil powered at 60Hz			

pick-up	min	%Us	75
	max	%Us	115
drop-out	min	%Us	20
	max	%Us	55

AC average coil consumption at 20°C

of 50/60Hz coil powered at 50Hz

in-rush	VA	30
holding	VA	4

of 50/60Hz coil powered at 60Hz

in-rush	VA	25
holding	VA	3

of 60Hz coil powered at 60Hz

in-rush	VA	30
holding	VA	4

Dissipation at holding =20°C 50Hz

W	0.95
---	------

Max cycles frequency

Mechanical operation

cycles/h	3600
----------	------

Operating times

Average time for Us control

in AC

Closing NO

min	ms	12
max	ms	21

Opening NO

min	ms	9
max	ms	18

Closing NC

min	ms	17
max	ms	26

Opening NC

min	ms	7
max	ms	17

in DC

Closing NO

min	ms	18
max	ms	25

Opening NO

min	ms	2
max	ms	3

Closing NC

min	ms	3
max	ms	5

Opening NC

min	ms	11
max	ms	17

UL technical data

Full-load current (FLA) for three-phase AC motor

at 480V	A	7.6
at 600V	A	6.1

Yielded mechanical performance

for single-phase AC motor

110/120V	HP	0.5
----------	----	-----

	230V	HP	1.5
for three-phase AC motor			
	200/208V	HP	2
	220/230V	HP	3
	460/480V	HP	5
	575/600V	HP	5

**General USE**

Contactor	AC current	A	20
	Short circuit current	kA	100
High fault	Fuse rating	A	30
	Fuse class	J	
	Short circuit current	kA	5
Standard fault	Fuse rating	A	30
	Short circuit current	kA	5

Contact rating of auxiliary contacts according to UL A600 - Q600

**Ambient conditions**

**Temperature**

Operating temperature	min	°C	-50
	max	°C	+70
Storage temperature	min	°C	-60
	max	°C	+80

**Max altitude**

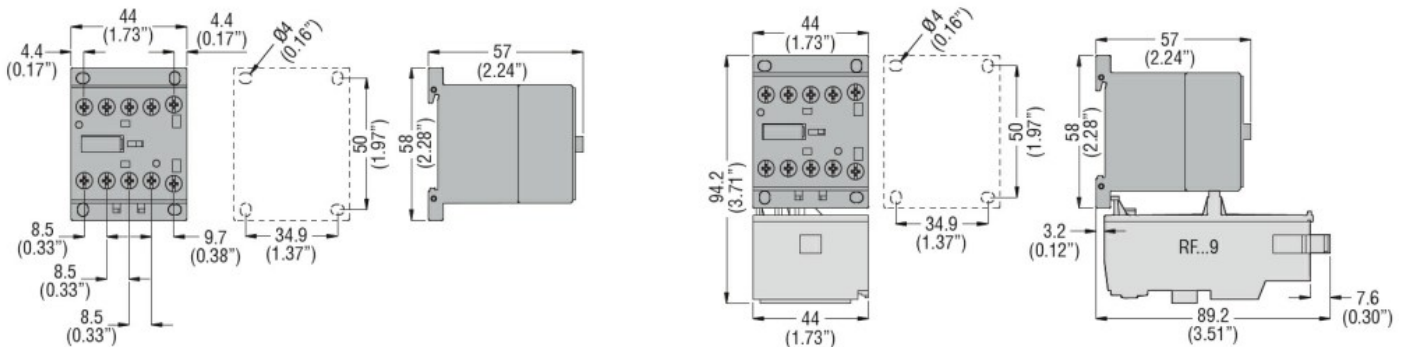
m 3000

**Resistance & Protection**

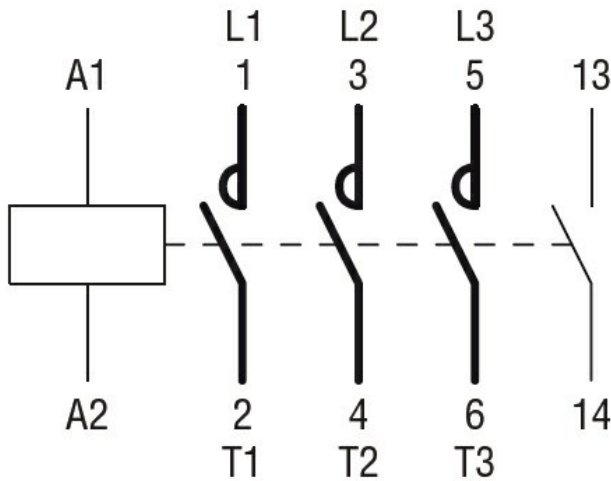
**Pollution degree**

3

**Dimensions**



**Wiring diagrams**



**Certifications and compliance**

Compliance

CSA C22.2 n° 60947-1

CSA C22.2 n° 60947-4-1

IEC/EN 60947-1

IEC/EN 60947-4-1

UL 60947-1

UL 60947-4-1

Certificates

CCC

cULus

EAC

**ETIM classification**

ETIM 8.0

EC000066 -  
 Power contactor,  
 AC switching