



Double-touch actuators, spring return - One extended and one flush push-button
8LM2TB72

Product designation

Product type designation

General characteristics

| | |
|--------------------------|--------------------------|
| Colour | Green/Red |
| Material | Aluminium and zinc alloy |
| IEC degree of protection | IP40 |

Mechanical features

| | | |
|------------------|--------|-------------|
| Operating force | kg-lb | 0.8kg/1.7lb |
| Mechanical life | cycles | 1000000 |
| Mounting adapter | | LM2TAU120 |
| Weight | g | 44 |

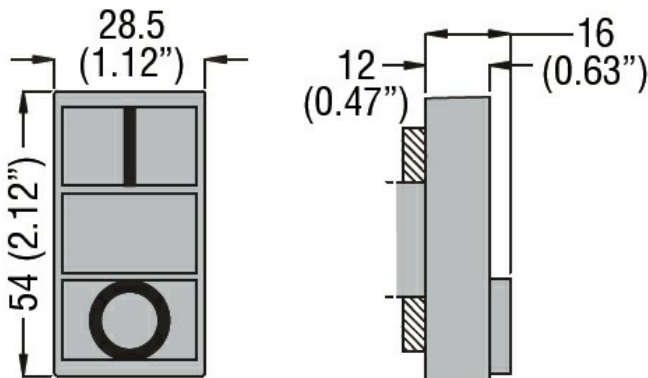
UL technical data

| | |
|-------------------------|--------|
| UL degree of protection | Type 1 |
|-------------------------|--------|

Ambient conditions

| | | | | |
|-------------|-----------------------|-----|----|-----|
| Temperature | Operating temperature | min | °C | -25 |
| | | max | °C | +60 |
| | Storage temperature | min | °C | -40 |
| | | max | °C | +70 |

Dimensions



Certifications and compliance

Compliance

- CSA C22.2 n° 14
- IEC/EN 60947-1
- IEC/EN 60947-5-1

UL508

Certificates

CCC

cULus

EAC

LROS

RINA

ETIM classification

ETIM 8.0

EC000221 -
Front element for
push button