



Double-touch actuators, spring return - One extended and one flush push-button  
8LM2TB72

Product designation

Product type designation

**General characteristics**

Colour	Green/Red
Material	Aluminium and zinc alloy
IEC degree of protection	IP40

**Mechanical features**

Operating force	kg-lb	0.8kg/1.7lb
Mechanical life	cycles	1000000
Mounting adapter		LM2TAU120
Weight	g	44

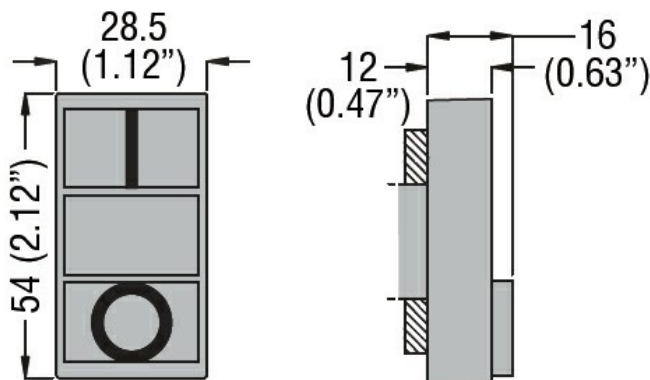
**UL technical data**

UL degree of protection	Type 1
-------------------------	--------

**Ambient conditions**

Temperature	Operating temperature	min	°C	-25
		max	°C	+60
	Storage temperature	min	°C	-40
		max	°C	+70

**Dimensions**



**Certifications and compliance**

Compliance	CSA C22.2 n° 14
	IEC/EN 60947-1
	IEC/EN 60947-5-1

---

UL508

---

Certificates

CCC

---

cULus

---

EAC

---

LROS

---

RINA

---

ETIM classification

ETIM 8.0

EC000221 -  
Front element for  
push button