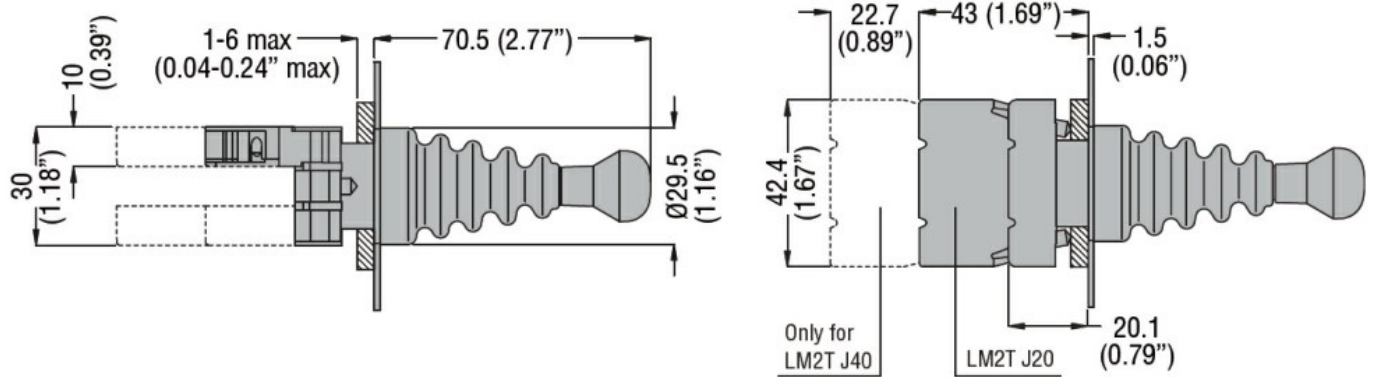




Product designation	Joystick		
Product type designation	8LM2TJ		
General characteristics			
Type of positions	4 stable		
Material	Aluminium and zinc alloy		
IEC degree of protection	IP65		
Electrical characteristics			
Rated insulation voltage U_i IEC/EN	V	690	
IEC Conventional free air thermal current I_{th}	A	10	
UL/CSA and IEC/EN 60947-5-1 designation	A300 Q300		
Operating current AC15	12V	A	6
	24V	A	6
	48V	A	6
	120V	A	6
	240V	A	3
	Operating current DC13	12V	A
24V		A	0.55
48V		A	0.55
125V		A	0.55
250V		A	0.27
Contact resistance	mO	=20	
Mechanical features			
Mechanical life	cycles	1000000	
Tightening torque for terminals max	Nm	1	
Terminals screw	Clamp screw with washer		
Mounting adapter	Included with contacts		
Weight	g	104	
UL technical data			
UL degree of protection	Type 1, 2, 3R, 4, 4X, 12, 12K		
Ambient conditions			
Temperature	Operating temperature		
	min	°C	-25
	max	°C	+60
Storage temperature	min	°C	-40
	max	°C	+70
Dimensions			



Certifications and compliance

Compliance

CSA C22.2 n° 14

IEC/EN 60947-1

IEC/EN 60947-5-1

UL508

Certificates

CCC

cULus

EAC

ETIM classification

ETIM 8.0

EC000632 -
 Control switch,
 Joystick