



Potentiometer drives complete with mounting adapter - With variable index 8LM2TP110

Product designation

Product type designation

General characteristics

Material Aluminium and zinc alloy

IEC degree of protection IP65

Mechanical features

Mechanical life cycles 300000

Weight g 70

Ambient conditions

Temperature

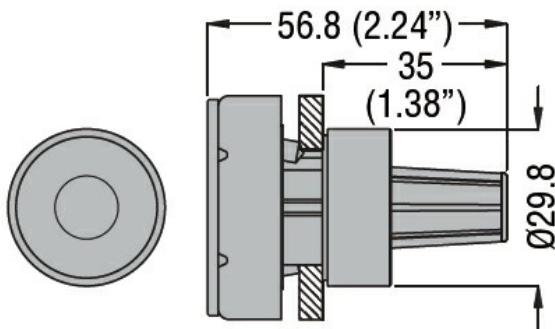
Operating temperature

min	°C	-25
max	°C	+60

Storage temperature

min	°C	-40
max	°C	+70

Dimensions



Certifications and compliance

Compliance

IEC/EN 60947-1
IEC/EN 60947-5-1

Certificates

CCC
EAC

ETIM classification

ETIM 8.0

EC002498 -
Accessories/spare
parts for low-
voltage switch
technology