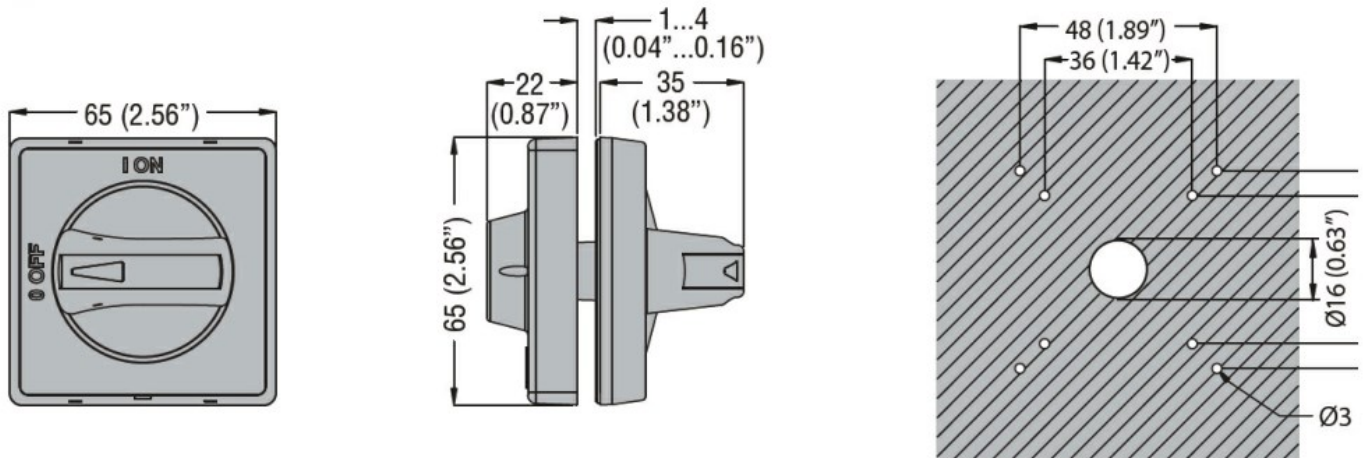




**Dimensions**



**Certifications and compliance**

**Compliance**

CSA C22.2

IEC/EN 60947-1

IEC/EN 60947-3

UL508

UL98

**Certifications**

CCC

cULus according to UL508 /CSA C22.2 n°14

cULus according to UL98 / CSA C22.2 n°4

EAC

**ETIM classification**

ETIM 8.0

EC000230 -  
Door coupling  
handle for  
switchgear