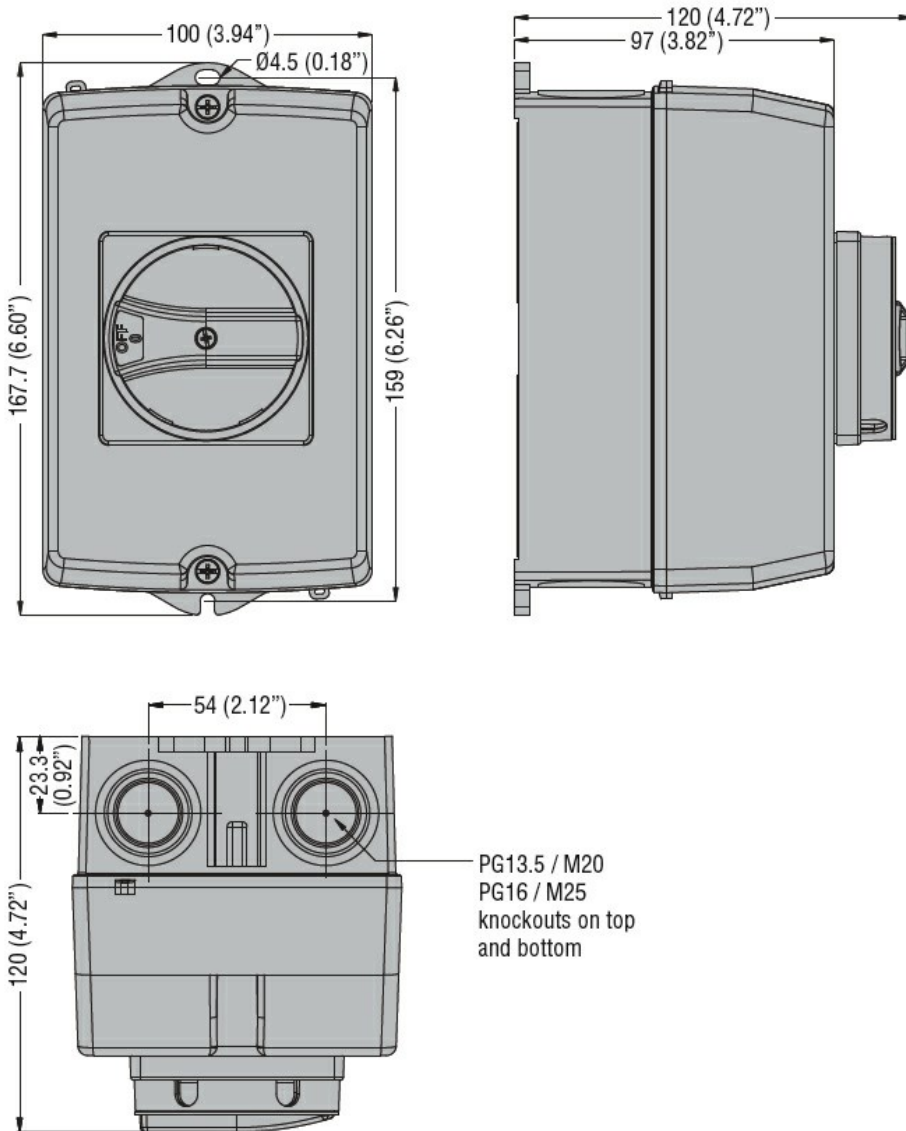


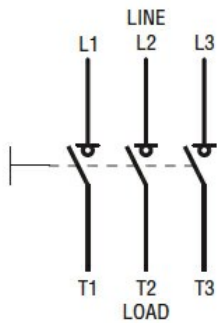


| | | | | |
|---|------------------|----|-----|------------------------------|
| Product designation | | | | Enclosed switch disconnecter |
| Product type designation | | | | GAZ |
| Number of poles | Nr. | | | 3 |
| Operating voltage type | | | | AC |
| Contact characteristics | | | | |
| IEC Conventional free air thermal current I _{th} | A | | | 32 |
| Rated insulation voltage U _i IEC/EN | V | | | 1000 |
| Rated impulse withstand voltage U _{imp} | kV | | | 8 |
| Operating current I _e | | | | |
| AC21A | 400V | A | 32 | |
| | 500V | A | 32 | |
| | 690V | A | 32 | |
| AC22A | 400V | A | 32 | |
| | 500V | A | 32 | |
| | 690V | A | 32 | |
| AC23A | 400V | A | 32 | |
| | 500V | A | 25 | |
| | 690V | A | 25 | |
| Power dissipation per pole max | W | | | 0.6 |
| Rated operational power AC23A | 400V | kW | 15 | |
| | 690V | kW | 22 | |
| Conditional short-circuit current (rms) | kA | | | 10 |
| Short-circuit protection with fuse | Class/A | | | gG32 |
| Making capacity AC23A 400V | A | | | 320 |
| Breaking capacity AC23A 400V | A | | | 256 |
| Mechanical life | cycles | | | 100000 |
| Electrical life AC21A | cycles | | | 100000 |
| Mechanical features | | | | |
| Operating position | normal allowable | | | Vertical plan Any |
| Terminals | type | | | Pillar |
| | width | mm | 5.6 | |
| | height | mm | 6.5 | |
| | screw | | | M4 |
| | tool | | | Phillips 2 |
| Tightening torque for terminals | min | Nm | 1.8 | |
| | max | Nm | 2 | |

| | | | |
|---|---------------|-----------------|---------------------|
| | min | lbin | 16 |
| | max | lbin | 18 |
| <hr/> | | | |
| Conductor section | | | |
| | IEC min | mm ² | 0.75 |
| | IEC max | mm ² | 16 |
| | AWG/kcmil min | | 18 |
| | AWG/kcmil max | | 6 |
| <hr/> | | | |
| UL technical data | | | |
| General purpose current rating | | A | 32 |
| Operating voltage max | | V | 600 |
| <hr/> | | | |
| Horsepower/FLA current single phase motor | | | |
| | 120V | HP | 2/24 |
| | 240V | HP | 5/28 |
| <hr/> | | | |
| Horsepower/FLA current three phase motor | | | |
| | 200-208V | HP | 10/32.2 |
| | 240V | HP | 10/28 |
| | 480V | HP | 20/27 |
| | 600V | HP | 20/22 |
| <hr/> | | | |
| Short circuit rating | | kA rms | 5 |
| Short circuit rating with fuse | | Class/A | RK5/35 |
| <hr/> | | | |
| Ambient conditions | | | |
| Operating temperature | | | |
| | min | °C | -25 |
| | max | °C | +55 |
| <hr/> | | | |
| Storage temperature | | | |
| | min | °C | -40 |
| | max | °C | +70 |
| <hr/> | | | |
| Max altitude | | m | 3000 |
| <hr/> | | | |
| Resistance & Protection | | | |
| Frontal IP degree | | | IP65 |
| UL degree of protection | | | UL/CSA Type 4/4X |
| IP degree of protection | | | IP65 |
| Pollution degree | | | 3 |
| <hr/> | | | |
| Dimensions | | | |



Wiring diagrams



Certifications and compliance

Compliance

IEC/EN 60947-1
IEC/EN 60947-3

Certifications

cULus
EAC

ETIM classification

ETIM 8.0

EC000216 -
Switch
disconnector