



Product designation

Mushroom head  
pushbutton,  
Latch, turn to  
release Ø  
40mm/1.6"  
LPCB664

Product type designation

**General characteristics**

Colour	Red
Material	Polyamide
IEC degree of protection	IP66, IP67 and IP69K

**Mechanical features**

Operating force	kg-lb	<0.5Kg / 1.1lb
Mechanical life - spring return actuators	cycles	5000000
Mechanical life - Latch actuators	cycles	300000
Mounting adapter		LPXAU120
Weight	g	79

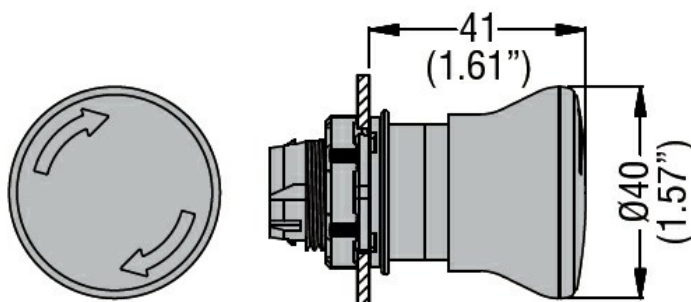
**UL technical data**

UL degree of protection	Type1, 2, 3R, 4, 4X, 12, 12K
-------------------------	------------------------------

**Ambient conditions**

Temperature	Operating temperature	min	°C	-25
		max	°C	+70
	Storage temperature	min	°C	-40
		max	°C	+85

**Dimensions**



**Certifications and compliance**

Compliance	CSA C22.2 n° 14
	IEC/EN/BS 60947-1
	IEC/EN/BS 60947-5-1
	UL508

**Certificates**

MUSHROOM HEAD PUSHBUTTON ACTUATOR Ø22MM PLATINUM SERIES CHROMED  
PLASTIC, LATCH, TURN TO RELEASE, Ø40MM. FOR EMERGENCY STOPPING. ISO 13850.  
RED

CCC

---

cULus

---

EAC

---

RINA

---

UL

**ETIM classification**

ETIM 8.0

EC001038 -  
Front element for  
mushroom push-  
button