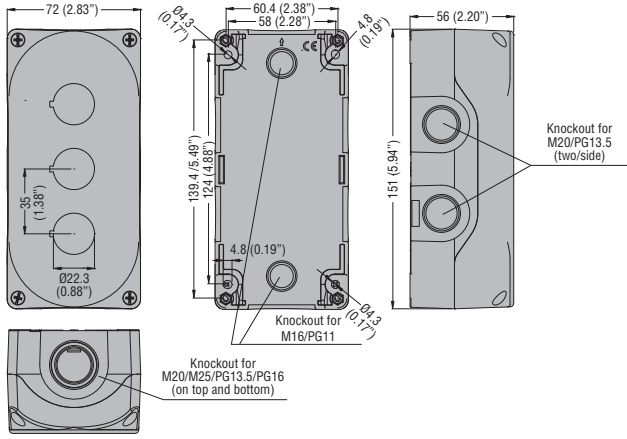
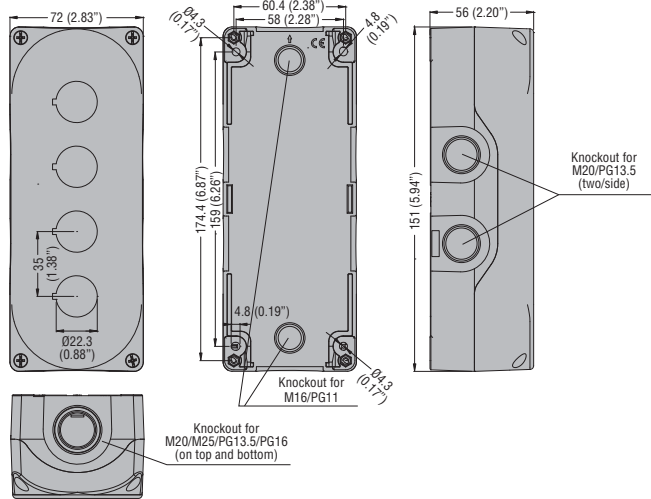


CONTROL STATIONS WITHOUT ACTUATORS

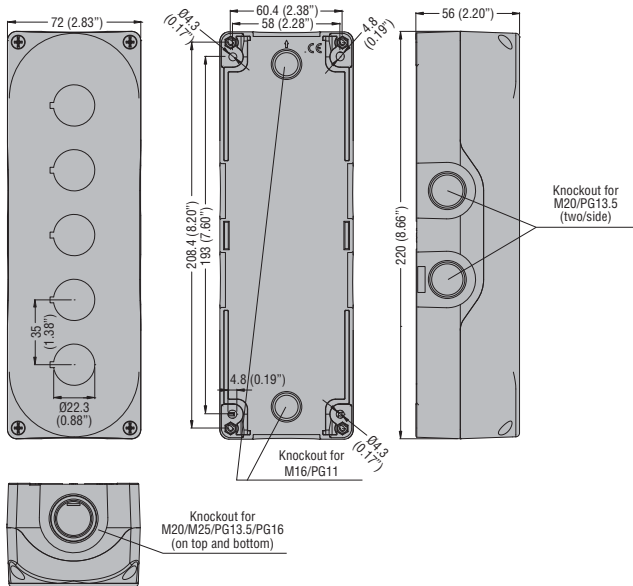
LPZ P3 A8



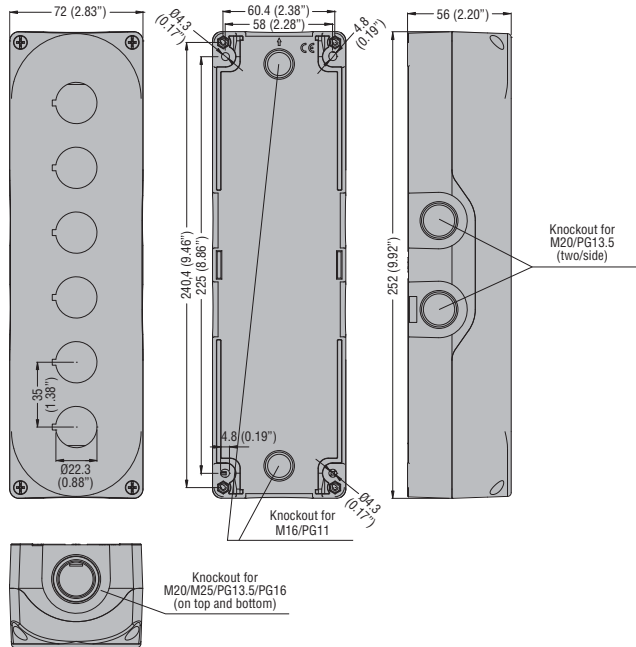
LPZ P4 A8



LPZ P5 A8

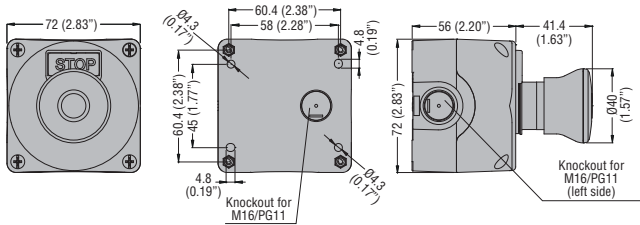


LPZ P6 A8

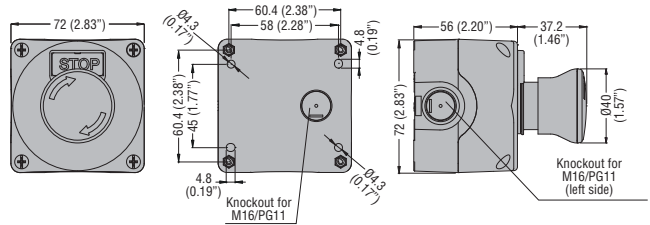


CONTROL STATIONS WITH ONE ACTUATOR

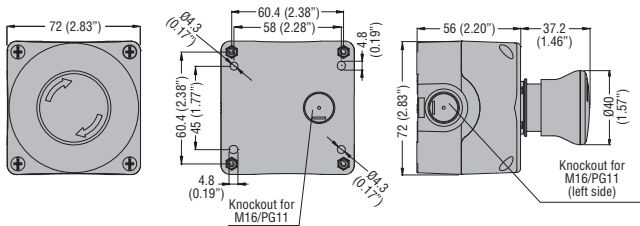
LPZ P1 B8 01



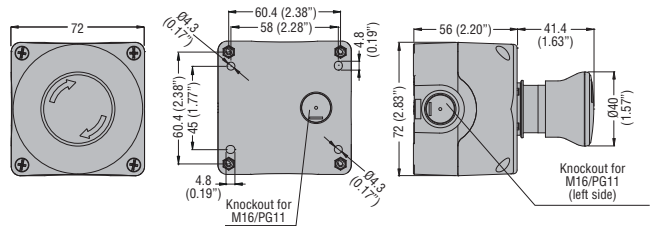
LPZ P1 B8 02



LPZ P1 B5 02



LPZ P1 B5 03



Top view for all LPZ P1...

