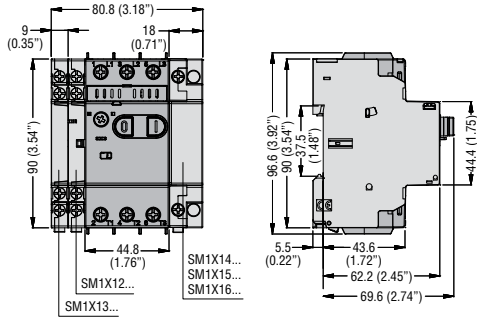


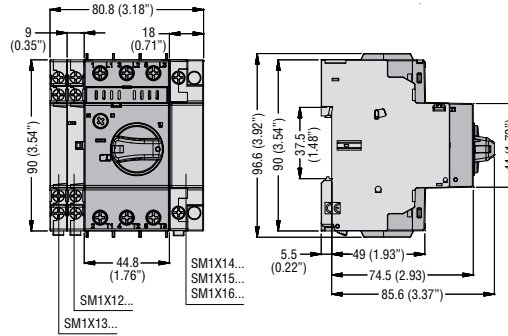
1 Motor protection circuit breakers

Dimensions [mm (in)]

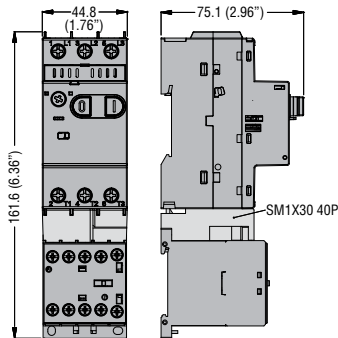
SM1P... with side-mount auxiliary contacts



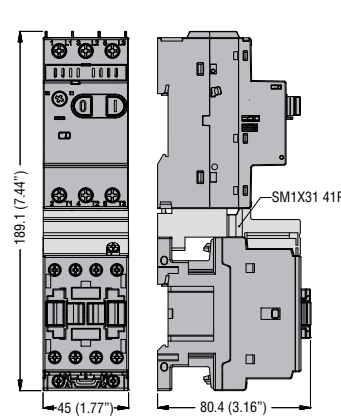
SM1R... with side-mount auxiliary contacts



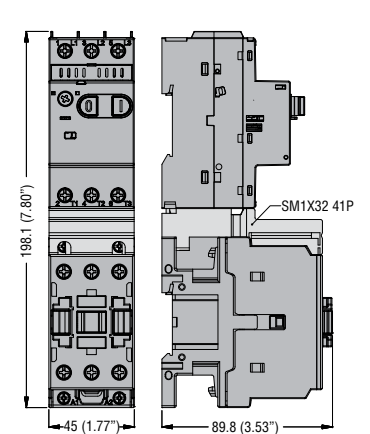
SM1P... with BG... mini-contacts and connection SM1X30 40P



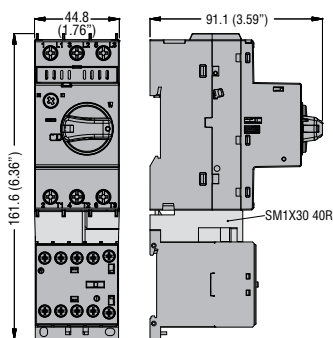
SM1P... with BF09 A...BF25 A... contactors and connection SM1X31 41P



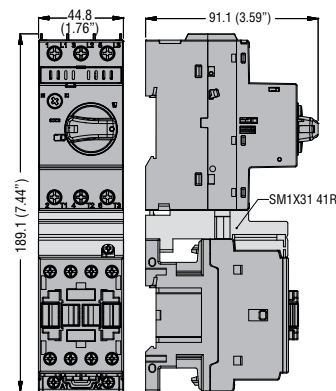
SM1P... with BF26 A...BF38 A... contactors and connection SM1X32 41P



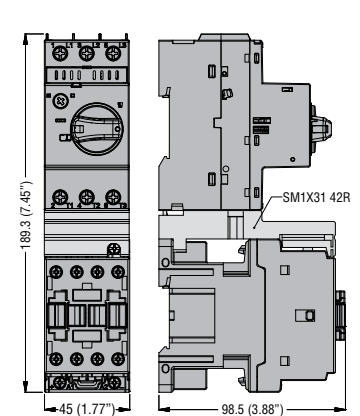
SM1R... with BG... mini-contacts and connection SM1X30 40R



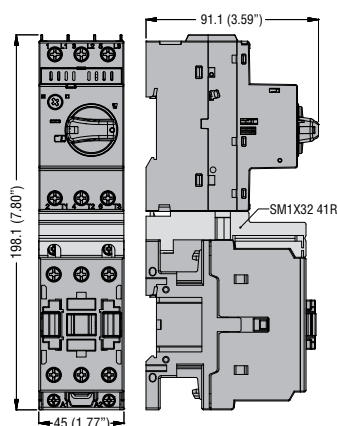
SM1R... with BF09 A...BF25 A... contactors and connection SM1X31 41R



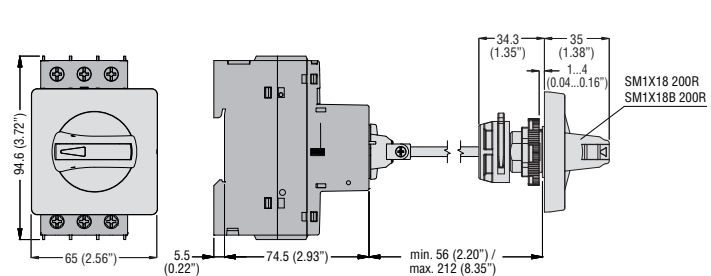
SM1R... with BF09 D...BF25 D... contactors BF09 L...BF25 L... and connection SM1X31 42R



SM1R... with BF26 A...BF38 A... contactors and connection SM1X32 41R



SM1R... padlockable door coupling handle SM1X18 200R or SM1X18B 200R

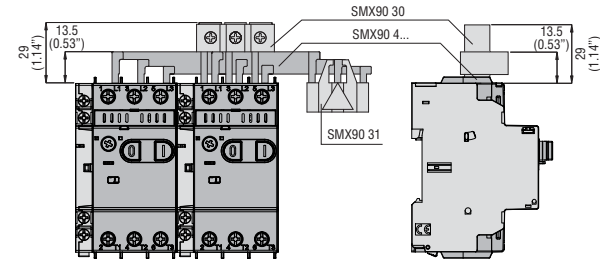
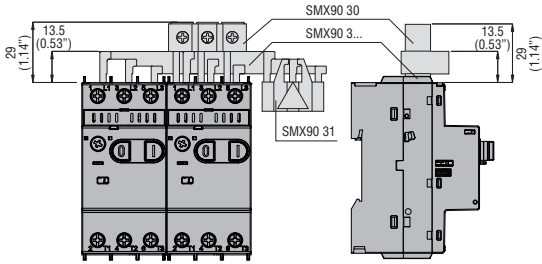


1 Motor protection circuit breakers

Dimensions [mm (in)]

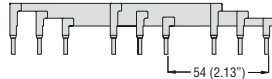
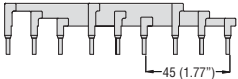
These elements mounted with **SM1... breakers** without side-mount auxiliary contacts

These elements mounted with **SM1... breakers** with side-mount auxiliary contacts **SMX12...** or **SMX13 11**



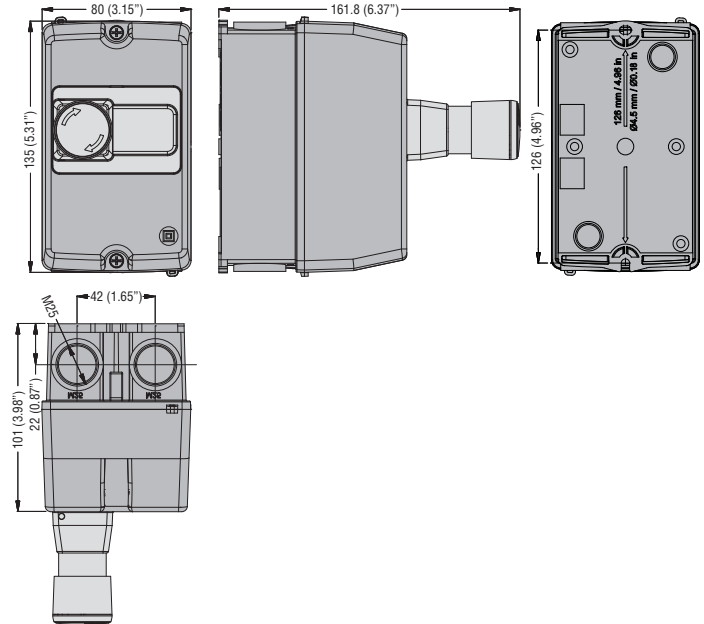
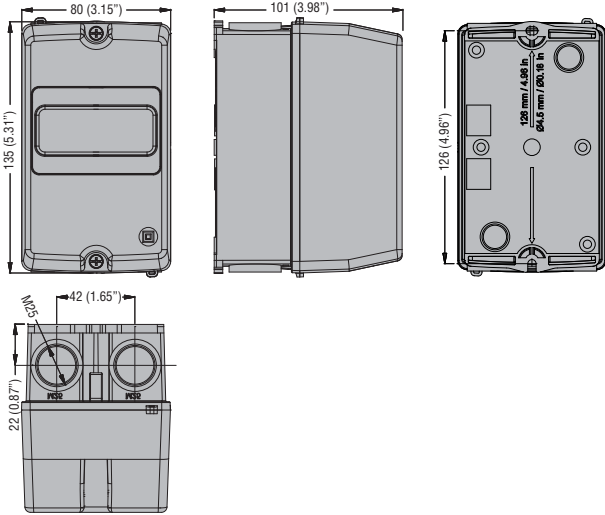
SMX90 32 - SMX90 33 - SMX90 34 - SMX90 35
Connection busbars – 45mm/1.77" spacing

SMX90 42 - SMX90 43 - SMX90 44 - SMX90 45
Connection busbars – 54mm/2.13" spacing



Enclosures **SM1Z17 01P**

Enclosures **SM1Z17 02P**



Enclosures **SM1Z17 11P**

Enclosures **SM1Z17 12P**

