

# Gates V-Belts

MARS SERIES **741**



## **Gates** Tri-Power® Belts-AX, BX

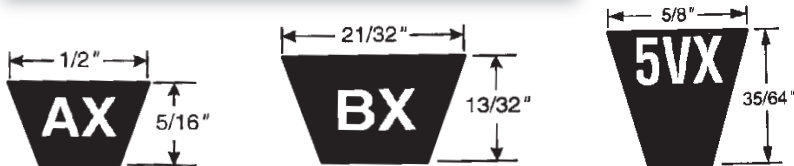
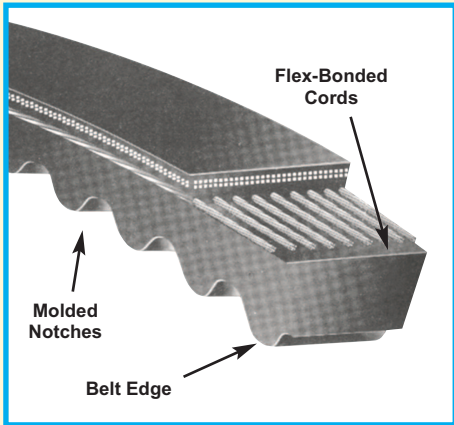
Constructed with Gates proprietary Vextra® construction, this belt has a superior combination of flex and load carrying capacity, as well as less stretch resulting in less maintenance. Suitable for all industrial applications, particularly where small or subminimal sheave diameters are required.

## Super HC® Molded Notch Belts-5VX

Constructed with Gates proprietary construction, this belt has a superior combination of flex and load carrying capacity, as well as transmitting more horsepower than the classical cross sections in the same amount of drive space. Suitable for all industrial applications, particularly where space, weight and horsepower capacity are critical.

### Features & Benefits:

- Notches molded in to the belt during manufacturing, make this belt well suited for drives with smaller diameter sheaves.
- Belt edge is machined for even sheave groove contact resulting in less slip and wear.
- Flex bonded cords are strongly bonded to the body of the belt resulting in equal load distribution and the absorption of bending stress without cord deterioration.
- Meets RMA oil and heat resistant standards
- Meets RMA static conductivity requirements.
- MARS Pack 1



MARS NO.	CASE DESC.	CASE QTY.
----------	------------	-----------

**5L BELTS cont.**

74305	5L830	55
74306	5L840	45
74307	5L850	40
74308	5L860	40
74309	5L870	40
74310	5L880	40
74311	5L890	40
74312	5L900	40
74313	5L910	40
74314	5L920	40
74315	5L930	45
74316	5L940	45
74317	5L950	45
74318	5L960	45
74319	5L970	45
74320	5L980	45
74321	5L990	45
74322	5L1000	45

**AX BELTS**

74556	AX21	15
74557	AX22	5
74558	AX23	5
74553	AX24	5
74560	AX25	20
74566	AX26	25
74561	AX27	20

MARS NO.	CASE DESC.	CASE QTY.
----------	------------	-----------

**AX BELTS cont.**

74555	AX28	20
74563	AX29	20
74564	AX30	10
74565	AX31	10
74554	AX32	50
74567	AX33	14
74568	AX34	15
74569	AX35	15
74570	AX36	15
74571	AX37	15
74572	AX38	10
74562	AX39	10
74573	AX40	10
74574	AX41	10
74575	AX42	15
74576	AX43	30
74604	AX44	10
74608	AX45	10
74577	AX46	55
74579	AX47	10
74578	AX48	5
74580	AX49	20
74598	AX50	10
74581	AX51	10
74599	AX52	5
74551	AX53	5
74582	AX54	15

MARS NO.	CASE DESC.	CASE QTY.
----------	------------	-----------

**AX BELTS cont.**

74583	AX55	5
74600	AX56	10
74601	AX57	10
74584	AX58	5
74552	AX59	10
74585	AX60	4
74586	AX61	5
74587	AX62	5
74588	AX63	15
74589	AX64	10
74602	AX65	5
74603	AX66	5
74559	AX67	5
74590	AX68	5
74592	AX69	5
74749	AX70	5
74757	AX71	5
74514	AX72	5
74591	AX75	5
74593	AX80	5
74750	AX82	1
74594	AX85	1
74595	AX87	1
74596	AX90	5
74549	AX92	1
74597	AX96	5

MARS NO.	CASE DESC.	CASE QTY.
----------	------------	-----------

**BX BELTS**

74650	BX28	1
74662	BX30	1
74605	BX32	1
74684	BX33	1
74666	BX34	10
74609	BX35	1
74610	BX36	5
74611	BX37	1
74612	BX38	4
74613	BX39	40
74614	BX40	15
74615	BX41	1
74616	BX42	4
74617	BX43	5
74618	BX44	10
74710	BX45	10
74619	BX46	15
74719	BX47	1
74620	BX48	10
74663	BX49	1
74621	BX50	20
74607	BX51	50
74622	BX52	10
74623	BX53	5
74624	BX54	20
74625	BX55	1
74626	BX56	5

MARS NO.	CASE DESC.	CASE QTY.
----------	------------	-----------

**BX BELTS cont.**

74664	BX57	1
74629	BX58	10
74630	BX59	25
74631	BX60	25
74627	BX61	15
74632	BX62	20
74628	BX63	20
74633	BX64	10
74634	BX65	15
74635	BX66	10
74636	BX67	10
74637	BX68	5
74638	BX70	10
74639	BX71	10
74641	BX72	15
74640	BX73	5
74657	BX74	1
74646	BX75	10
74648	BX76	5
74651	BX77	5
74655	BX78	5
74656	BX79	5
74642	BX80	5
74643	BX81	10
74658	BX82	5
74644	BX83	5
74652	BX84	5
74645	BX85	2

continued on next page