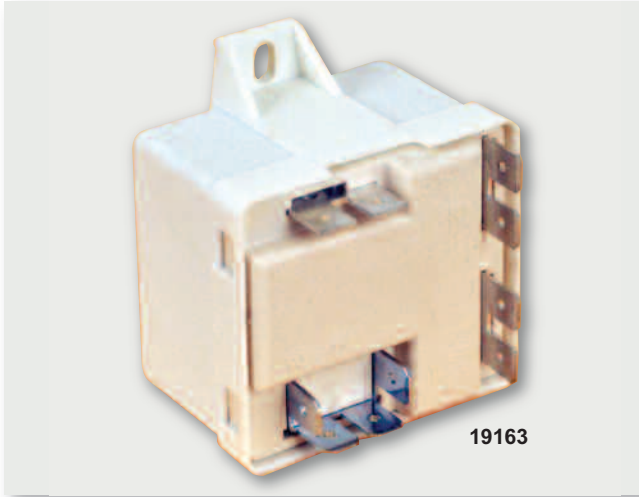


# Potential Relays

MARS SERIES **191**

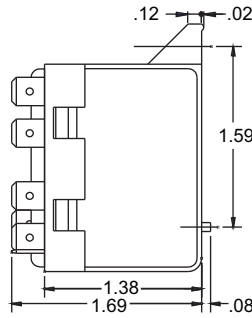
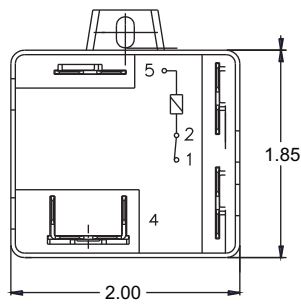


## MARS HVAC Potential Relays

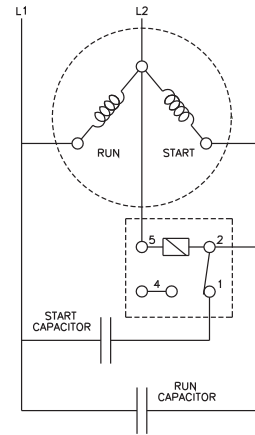
MARS series relays are manufactured for the HVAC industry. These relays meet all requirements for original equipment relays.

### Features:

- 50/60 cycle
- UL and CSA approved
- Contact rating 35 amp, 480 VAC
- Non-positional
- Instructions and wiring diagram included in each relay



### WIRING DIAGRAM



## Calibration Specifications

MARS NO.	MARS MODEL NO	CONTINUOUS COIL VOLTAGE	PICK-UP		DROP-OUT MAX
			MIN.	MAX.	
19163	MARS 163	170	139	153	55
19164	MARS 164	395	260	275	120
19165	MARS 165	332	168	182	90
19166	MARS 166	395	215	225	120
19167	MARS 167	420	295	315	125
19168	MARS 168	502	325	345	135
19169	MARS 169	332	180	193	105
19170	MARS 170	253	285	305	77
19171	MARS 171	420	212	232	121