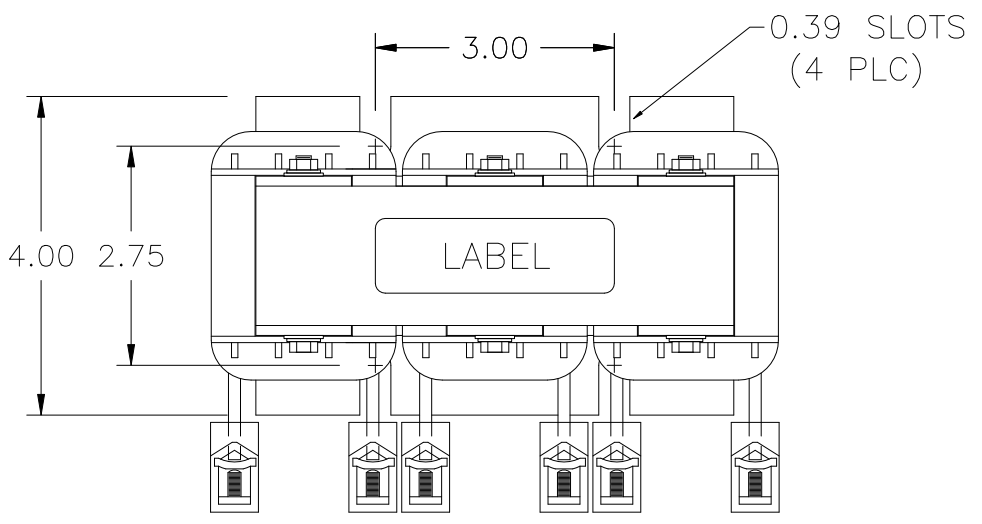


FILE: P:\ENG\PROD\DOC\RLW\RLW-

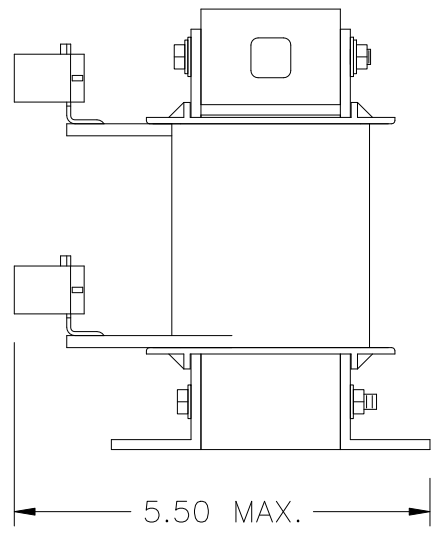
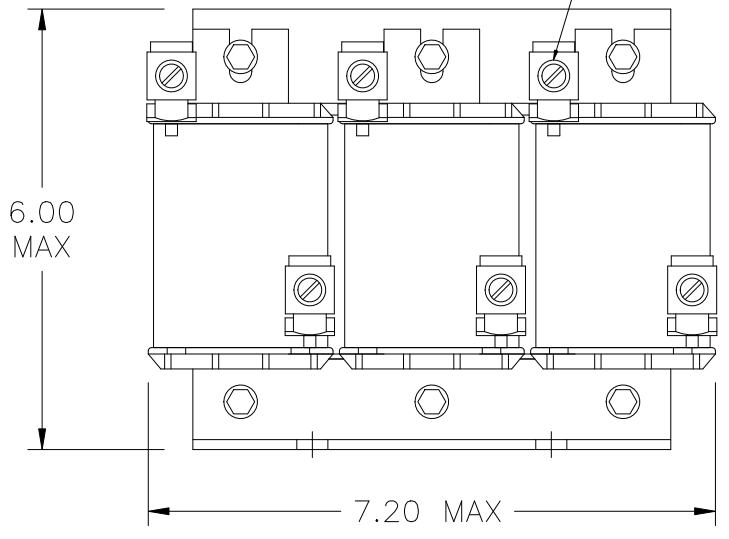
| | | |
|------------|----------|--------|
| INDUCTANCE | LOSSES | WEIGHT |
| 0.27 mH | 68 Watts | 18 Lbs |

| NO. | CHANGE DESCRIPTION | BY | DATE | C'K'D |
|-----|--------------------|----|------|-------|
|-----|--------------------|----|------|-------|



WIRE RANGE: 6-0 AWG

CAUTION-TERMINAL SCREW TIGHTENING
 TORQUE: 6-4 (45) in-lb MAX.
 2-0 (50) in-lb MAX.



UNLESS OTHERWISE SPECIFIED, DIMENSIONS ARE IN INCHES [mm] AND TOLERANCES ARE:

| | |
|--------|---------------|
| DECI. | FRAC. |
| ANGLES | DRILLED HOLES |

| | |
|--------------|-------------------|
| PART NAME: | 3 PHASE REACTOR |
| DESCRIPTION: | OUTLINE DIMENSION |
| FINISH: | |

| | | | |
|---|--------|------|------------|
| MTE CORPORATION MENOMONEE FALLS, WISCONSIN | | | |
| RLW-005501 | | | REV. 01 |
| SCALE | NTS | DATE | 1/22/09 |
| C'K'D | | | |
| REF. | DR. BY | BF | APP'D |