

PRODUCT INFORMATION PACKET

Model No: 056A11O5305
Catalog No: X271
1 1/2, 1075/900, OPAO, 56Z, 1/60/50/208-230/460#190/380
Condenser Fans



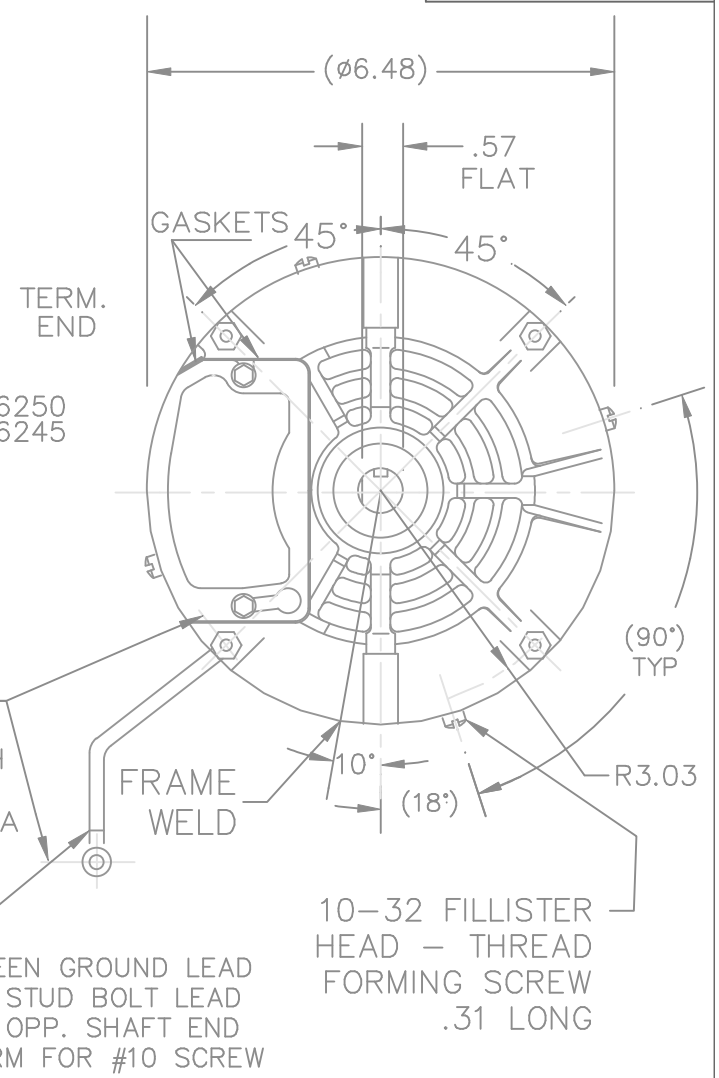
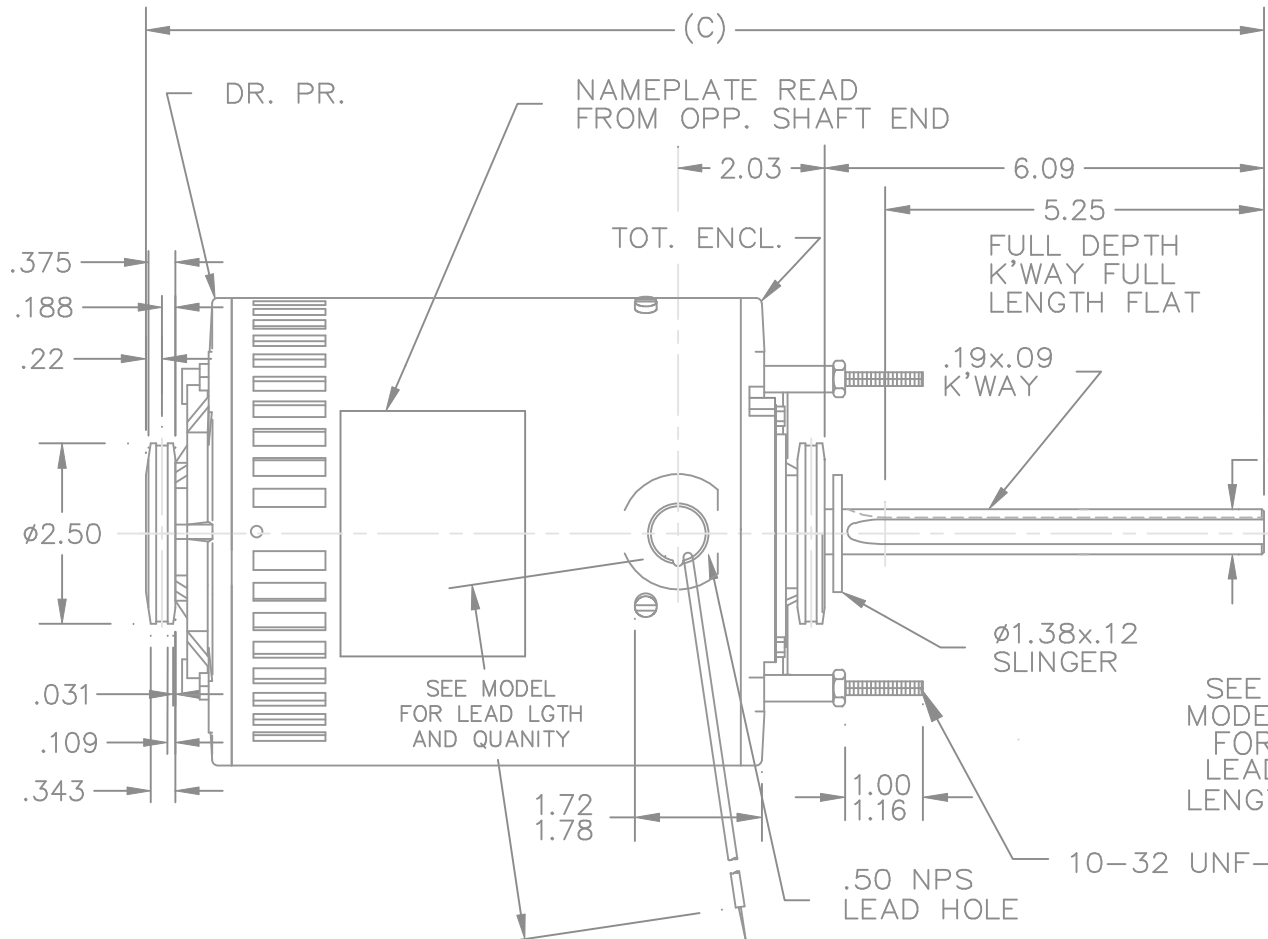
Regal and Marathon are trademarks of Regal Beloit Corporation or one of its affiliated companies.
©2018 Regal Beloit Corporation, All Rights Reserved. MC017097E

Nameplate Specifications

Output HP	1.50 Hp	Output KW	1.1 kW
Frequency	60 Hz	Voltage	208-230/460 V
Current	7.8-7.7/3.9 A	Speed	1075 rpm
Service Factor	1	Phase	1
Efficiency	74.2 %	Duty	Continuous
Insulation Class	B	Design Code	NO DESIGN CODE
KVA Code	F	Frame	56Z
Enclosure	Open Air Over	Overload Protector	Automatic
Ambient Temperature	60 °C	Drive End Bearing Size	6203
Opp Drive End Bearing Size	6203	UL	Recognized (Not Protector)
CSA	Y	CE	N
IP Code	10		

Technical Specifications

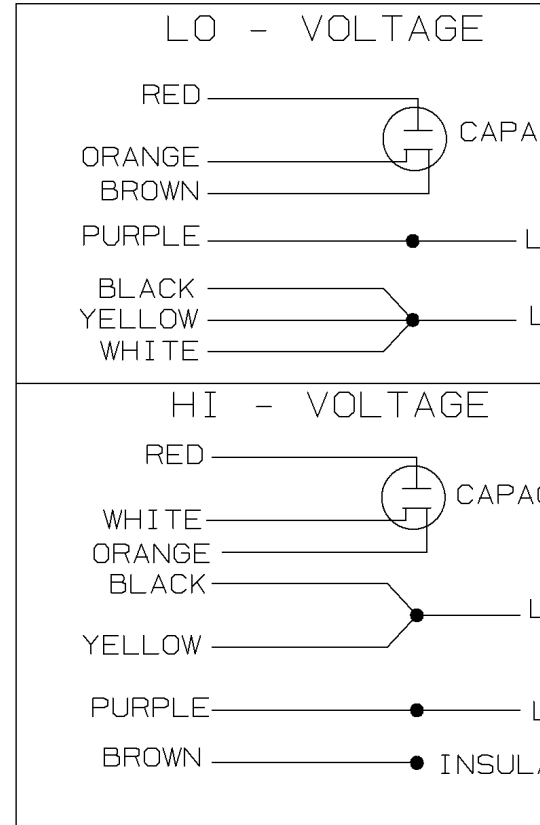
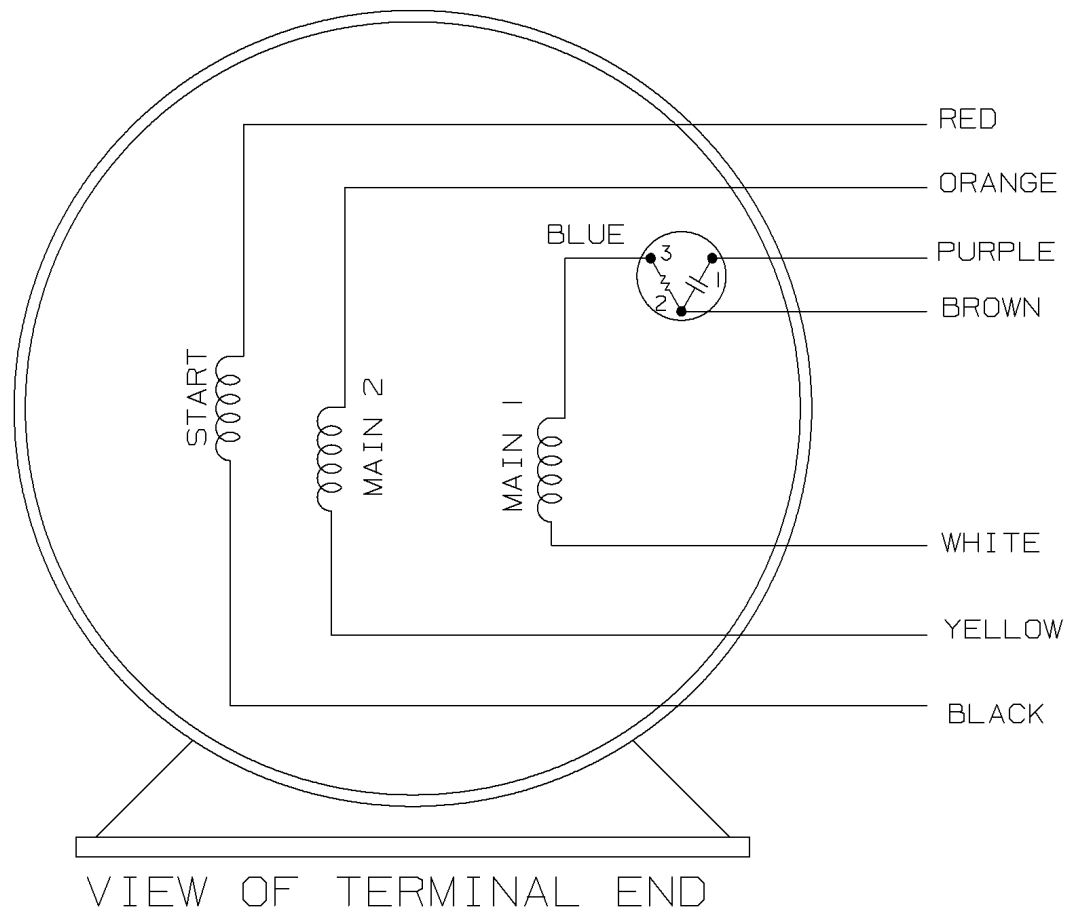
Electrical Type	Permanent Split Capacitor	Starting Method	Across The Line
Poles	6	Rotation	Selective Counterclockwise
Mounting	Resilient Ring - Extended Studs	Motor Orientation	Horizontal
Drive End Bearing	Ball	Opp Drive End Bearing	Ball
Frame Material	Rolled Steel	Shaft Type	Single Special Extension
Overall Length	17.53 in	Frame Length	9.06 in
Shaft Diameter	0.625 in	Shaft Extension	6.09 in
Assembly/Box Mounting	F1/F2 Capable		
Outline Drawing	A-100235-906	Connection Diagram	102009-4



DASH	FR.	C			DASH	FR.	C		
					856	56-85	17.03		
					906	56-90	17.53		

				TOLERANCES UNLESS SPECIFIED		MARATHON ELECTRIC	DRAWN PGK 09-26-1996				
				DEC.	INCHES		CHK	ML	09-10-1996		
				.X	±.1		APPD	GK	09-11-1996		
5	CORRECTED SHAFT EXT 6.09 WAS 5.97	CN 32081	HLB 02-07-2003	DRS	.XX	±.03	SCALE 3=8				
4	ADDED STOP SCREWS	CN 35348	HLB 08-22-2002	ET	.XXX	±.005	REF				
3	REDRAAWN ON CAD		PGK 09-11-1996		.XXXX	±.0005	FMF				
NO.	REVISION		BY & DATE	CHK	ANG	±7'30"	PREV				
	THIS DRAWING IN DESIGN AND DETAIL IS OUR PROPERTY AND MUST NOT BE USED EXCEPT IN CONNECTION WITH OUR WORK ALL RIGHTS OF DESIGN AND INVENTION ARE RESERVED THIS IS AN ELECTRONICALLY GENERATED DOCUMENT - DO NOT SCALE THIS PRINT			RFP	CAD FILE 100235		SIZE	DRAWING NO.	PAGE	OF	REV.
				DIST	WP		A	100235			5

PSC - DUAL VOLTAGE
REVERSIBLE
CCW ROTATION SHOWN



FOR CW ROTATION
EITHER VOLTAGE
INTERCHANGE-BLACK & RED

				<input checked="" type="checkbox"/> MAX. SURFACE ROUGHNESS UNLESS NOTED OTHERWISE	UNLESS OTHERWISE SPECIFIED DIMENSIONS ARE IN INCHES TOL. ON XX± XXX±.005 XXXX±.0005 ANGLES±
				MATL SPEC	DRAWN BY PGK 09 CHKD BY ML 09 APPD BY GK 09
2	09-24-96	REDRAWN ON CADD	PGK	FINISH	MARATHON ELECTRIC WAUSAU, WISCONSIN 54401
				PART NAME CONNECTION DIAGRAM	DRWG NO

DATE: 06/27/2017 04:25:10 AM
FORM 3531 REV.3 02/07/99
** Subject to change without notice.