

PRODUCT INFORMATION PACKET

Model No: 056A11O5311
Catalog No: X207
3/4, 1075, OPEN, 56Z, 1/60/208-230/460
Condenser Fans



Regal and Marathon are trademarks of Regal Beloit Corporation or one of its affiliated companies.
©2018 Regal Beloit Corporation, All Rights Reserved. MC017097E





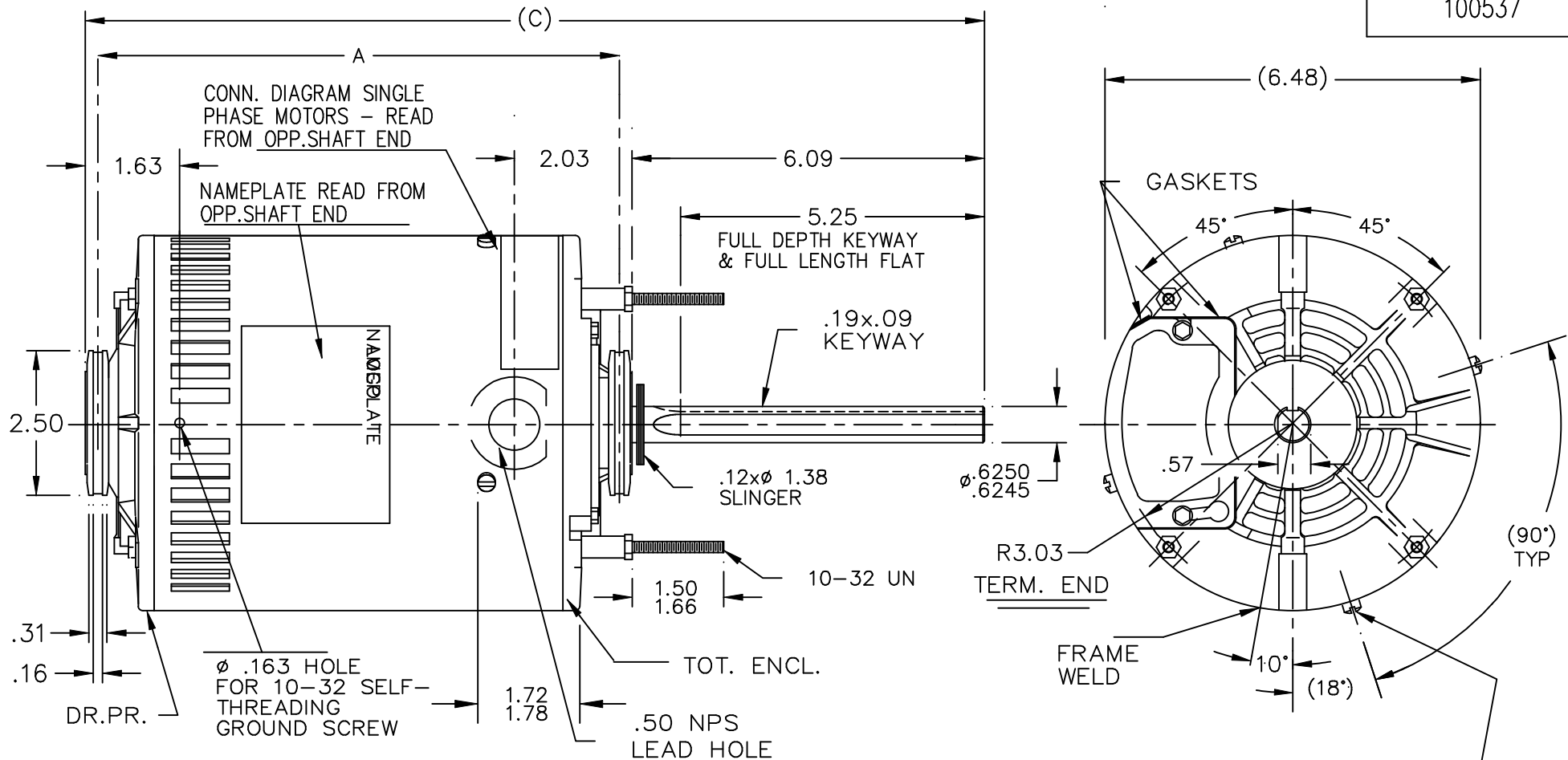
Nameplate Specifications

Output HP	0.75 Hp	Output KW	0.56 kW
Frequency	60 Hz	Voltage	208-230/460 V
Current	3.9-3.6/1.8 A	Speed	1075 rpm
Service Factor	1	Phase	1
Efficiency	75.5 %	Duty	Continuous
Insulation Class	B	Design Code	NO DESIGN CODE
KVA Code	C	Frame	56Z
Enclosure	Open Air Over	Overload Protector	Automatic
Ambient Temperature	60 °C	Drive End Bearing Size	6203
Opp Drive End Bearing Size	6203	UL	Recognized (Not Protector)
CSA	Y	CE	N
IP Code	10		

Technical Specifications

Electrical Type	Permanent Split Capacitor	Starting Method	Across The Line
Poles	6	Rotation	Selective Counterclockwise
Mounting	Resilient Ring - Extended Studs	Motor Orientation	Horizontal
Drive End Bearing	Ball	Opp Drive End Bearing	Ball
Frame Material	Rolled Steel	Shaft Type	Single Special Extension
Overall Length	16.03 in	Frame Length	7.56 in
Shaft Diameter	0.625 in	Shaft Extension	6.09 in
Assembly/Box Mounting	F1 Only		
Outline Drawing	A-100537-756	Connection Diagram	A-102009-7

This is an uncontrolled document once printed or downloaded and is subject to change without notice. Date Created: 06/29/2018



DASH	FR.	A	C	DASH	FR.	A
756	56-75	9.56	16.03			
806	" -80	10.06	16.53			

NO.	REVISION	BY & DATE	CHK	TOLERANCES UNLESS SPECIFIED	
				DEC.	INCHES
3	ADDED STOP SCREWS	CN 35348	HLB 08-22-2002	ET	.XX ±.03
2	CLERIFIED CONN. DIAGRAM LOCATION		LZ 03-21-1994		.XXX ±.005
1	NEW DRAWING	3850078	SMC 11-05-1991		.XXXX ±.0005
					ANG ±7'30"

MARATHON ELECTRIC

TITLE OUTLINE
56 FR.

MAT'L.

FINISH

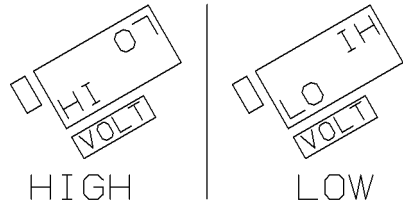
RFP

DIST WP

CAD FILE 100537

DRAWN	SMC 11-05-1991
CHK	ML 11-06-1991
APPD	GK 11-06-1991
SCALE	3=8
REF	
FMF	
PREV	
SIZE	A
DRAWING NO.	100537
PAGE	OF
REV.	3

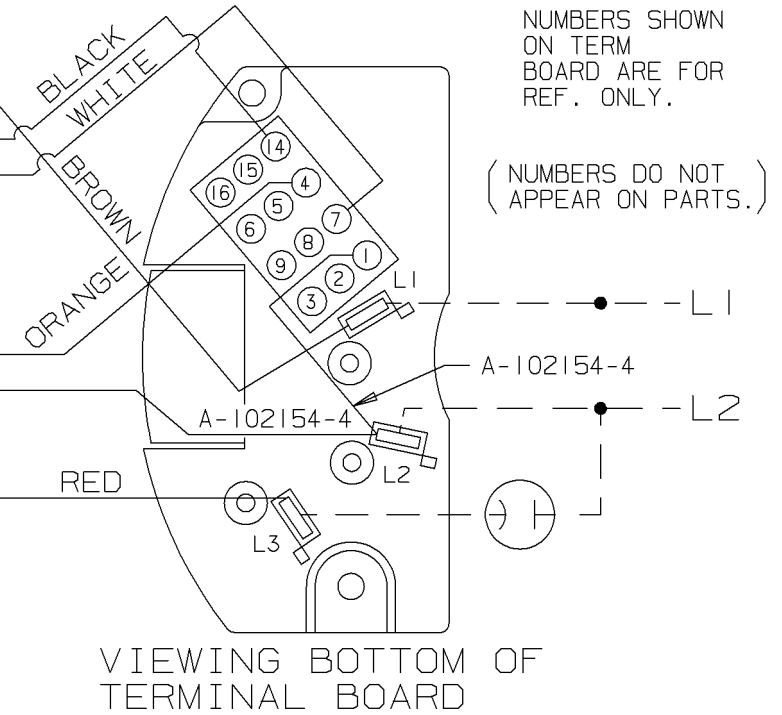
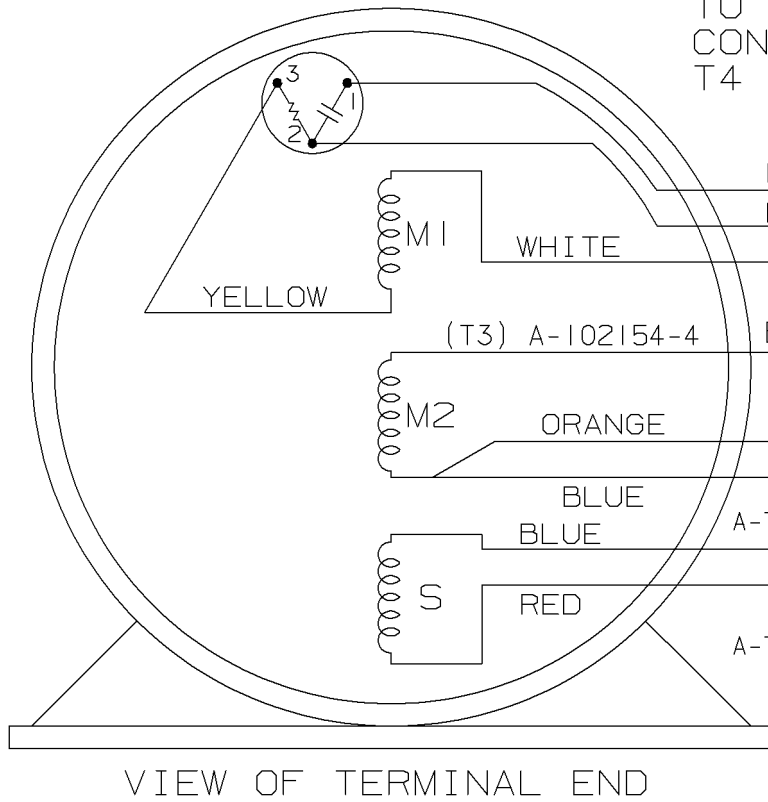
TO CHANGE VOLTAGE, PULL PLUG, ROTATE 180° AND REINSERT.



SINGLE PHASE-DUAL VOLTAGE WITH THERMAL PROTECTOR

CCW ROT. OPP. SHAFT END

TO REVERSE ROTATION CONNECT T1 TO T5 & T4 TO T8.



				125 $\sqrt{\text{V}}$ SURFACE ROUGHNESS UNLESS NOTED OTHERWISE		UNLESS OTHERWISE SPECIFIED DIMENSIONS ARE IN INCHES TOL ON XX± XXX±.005 XXXX±.0005 ANGLES±				
2	8-17-93	ADDED THE WORD "BLACK" TO T3 LEAD	KL	MTRL SPEC				DRAWN BY	SMC	11-05-91
				FINISH				CHKD BY	ML	11-06-91
1	11-05-91	NEW DRAWING	SMC	3850078		WAUSAU, WISCONSIN 54401		APPD BY	TH	11-08-91
REV	DATE	CHANGE	NAME	PART NAME CONNECTION DIAGRAM					DRWG NO A- 102009-7	
			PURCHASED		DISTRIBUTION - WA - LB - WP - LM			CADD FILE NO.		102009-7

```
ERROR: syntaxerror  
OFFENDING COMMAND: --nostringval--
```

```
STACK:
```

```
 /im
```

```
-savelevel-
```


DATE: 06/27/2017 04:27:09 AM
FORM 3531 REV.3 02/07/99
** Subject to change without notice.