

PRODUCT INFORMATION PACKET

Model No: 056A8O5
Catalog No: X208
1/2,825,OPEN,56Z,1/60/208-230
Condenser Fans



Regal and Marathon are trademarks of Regal Beloit Corporation or one of its affiliated companies.

©2018 Regal Beloit Corporation, All Rights Reserved. MC017097E





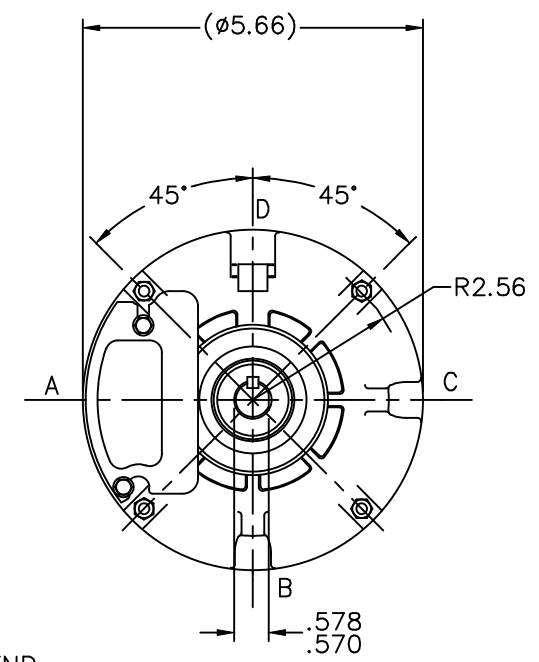
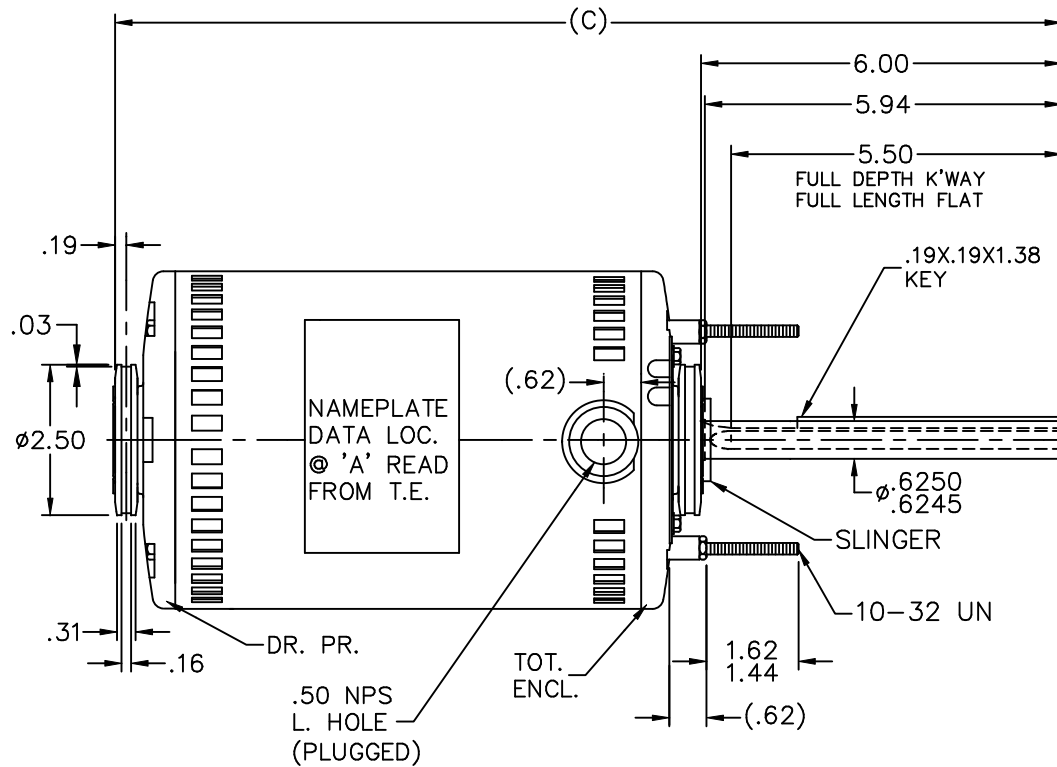
Nameplate Specifications

Output HP	0.50 Hp	Output KW	0.37 kW
Frequency	60 Hz	Voltage	208-230 V
Current	3.4 A	Speed	825 rpm
Service Factor	1	Phase	1
Efficiency	59.5 %	Duty	Continuous
Insulation Class	B	Design Code	NO DESIGN CODE
KVA Code	B	Frame	56Z
Enclosure	Drip Proof Air Over	Overload Protector	Auto Lock Rotor Only
Ambient Temperature	40 °C	Drive End Bearing Size	6203
Opp Drive End Bearing Size	6203	UL	Recognized
CSA	Y	CE	N
IP Code	22		

Technical Specifications

Electrical Type	Permanent Split Capacitor	Starting Method	Across The Line
Poles	8	Rotation	Selective Counterclockwise
Mounting	Resilient Ring - Extended Studs	Motor Orientation	Horizontal
Drive End Bearing	Ball	Opp Drive End Bearing	Ball
Frame Material	Rolled Steel	Shaft Type	Single Special Extension
Overall Length	15.5 in	Frame Length	7.50 in
Shaft Diameter	0.625 in	Shaft Extension	6 in
Assembly/Box Mounting	F1 Only		
Outline Drawing	A-SS75594-750	Connection Diagram	A-EE9022MV

This is an uncontrolled document once printed or downloaded and is subject to change without notice. Date Created: 06/29/2018



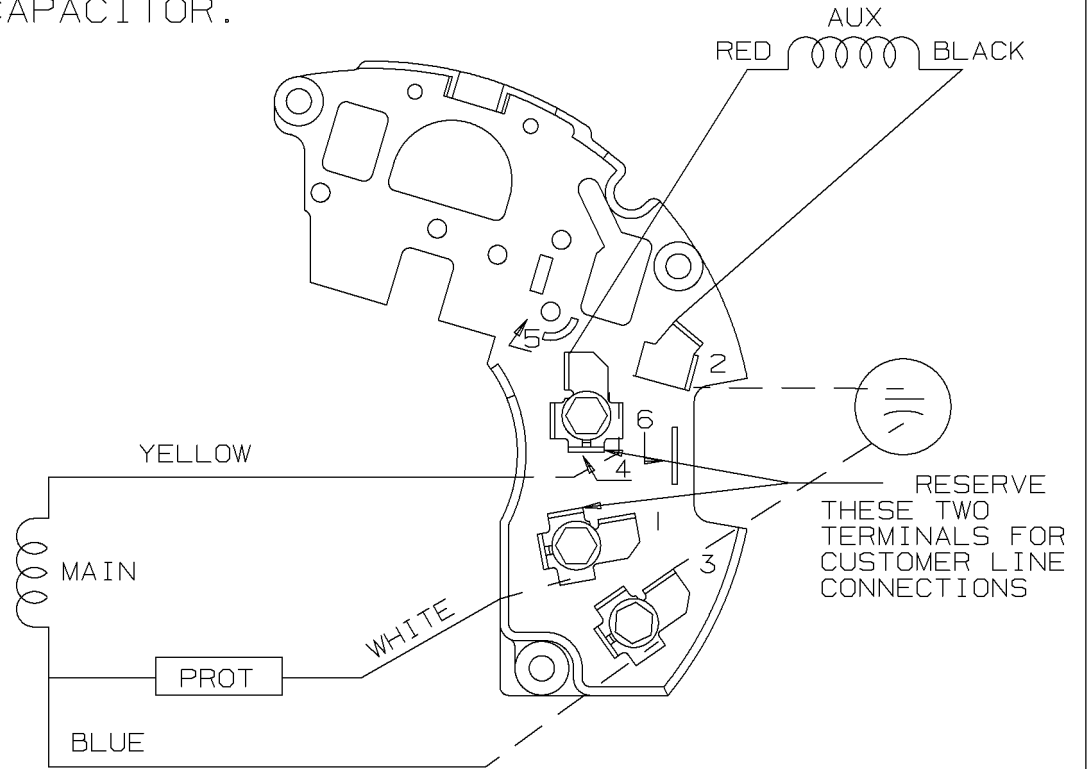
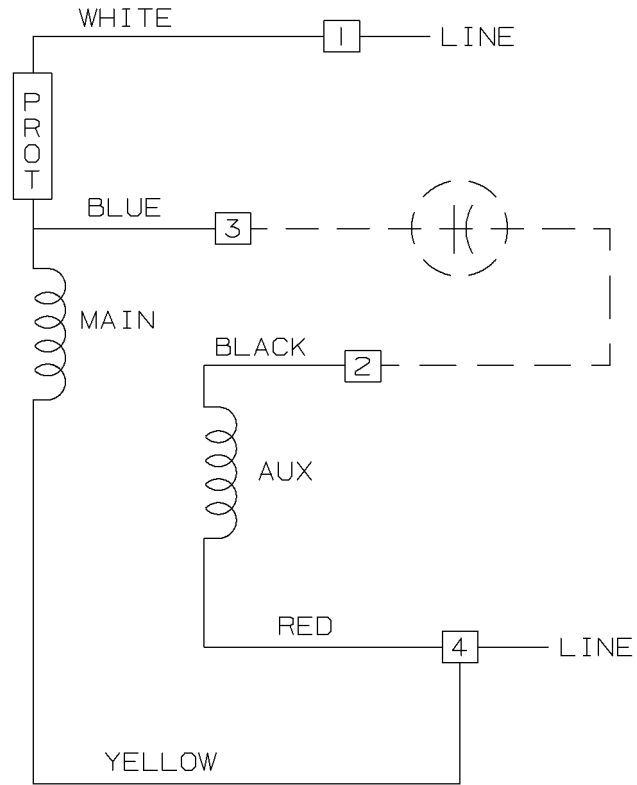
TERM. END

DASH	FR	C
750	48	15.50

				TOLERANCES UNLESS SPECIFIED			DRAWN RM 08-18-1992			
				DEC.	INCHES		CHK ML 08-20-1992			
				.X	±.1	APPD GK 08-20-1992	SCALE 5=16			
3	UPDATED DRAWING	TJW 04/20/2007	.XX	±.03	TITLE OUTLINE	REF	FMF			
2	REDRAWN IN AUTOCAD	TAT 07-22-2004	ML	.XXX ±.005	MAT'L.	PREV				
1	NEW DRAWING	3940359 RM 08-25-1992	.XXXX	±.0005	FINISH					
NO.	REVISION	BY & DATE	CHK	ANG	±7'30"	SIZE	DRAWING NO.	PAGE	OF	REV.
			RFP			A	SS75594			3
			DIST	WP						

THIS DRAWING IN DESIGN AND DETAIL IS OUR PROPERTY AND MUST NOT BE USED EXCEPT IN CONNECTION WITH OUR WORK ALL RIGHTS OF DESIGN AND INVENTION ARE RESERVED THIS IS AN ELECTRONICALLY GENERATED DOCUMENT - DO NOT SCALE THIS PRINT

SINGLE VOLTAGE PERMANENT SPLIT CAPACITOR.
REVERSIBLE ON TERM. BOARD.



CCW ROTATION SHOWN
TO REVERSE ROTATION, INTERCHANGE
BLACK WITH RED ON TERMINALS
2 AND 4.

				✓ MAX. SURFACE ROUGHNESS UNLESS NOTED OTHERWISE	UNLESS OTHERWISE SPECIFIED DIMENSIONS ARE IN INCHES TOL. ON XX± XXX±.005 XXXX±.0005 ANGLES±		
				MATL SPEC			DRAWN BY MSG 06-20-2000
				FINISH			CHKD BY ML 06-20-2000
3	06-20-2000	REDRAWN ON CAD	MSG	REFERENCE DRW.			WAUSAU, WISCONSIN 54401
REV	DATE	CHANGE	NAME	PART NAME 48 FR. CONNECTION DIAGRAM			DRWG NO A-EE9022MV

SHOP BOOK

PURCHASED

DISTRIBUTION - WA - LB - WP - LM - BR

CADD FILE NO.

EE9022MV

CERTIFICATION DATA SHEET

Model#: 56A805 E **WINDING#:** PE488171 NONE 2
CONN. DIAGRAM: A-EE9022MV **ASSEMBLY:** F1 ONLY
OUTLINE: A-SS75594-750

TYPICAL MOTOR PERFORMANCE DATA

HP	KW	SYNC. RPM	F.L. RPM	FRAME	ENCLOSURE	KVA CODE	DESIGN
1/2	.37	900	825	56Z	DPAO	B	NO DESIGN CODE

PH	Hz	VOLTS	FL AMPS	START TYPE	DUTY	INSL	S.F	AMB°C	ELEVATION
1	60	208-230	3.4	ACROSS THE LINE	CONTINUOUS	B3	1.0	40	3300

FULL LOAD EFF: 59.5	3/4 LOAD EFF: -	1/2 LOAD EFF: -	GTD. EFF	ELEC. TYPE	NO LOAD AMPS
			-	PSC 1 SPEED	2.5

F.L. TORQUE	LOCKED ROTOR AMPS	L.R. TORQUE	B.D. TORQUE	F.L. RISE°C
48.8 LB-FT	7.1	19.6 LB-FT -	71.5 LB-FT -	-

SOUND PRESSURE @ 3 FT.	SOUND POWER	ROTOR WK^2	MAX. WK^2	SAFE STALL TIME	STARTS /HOUR	APPROX. MOTOR WGT
- dBA	- dBA	- LB-FT^2	- LB-FT^2	- SEC.	-	- LBS.

***** SUPPLEMENTAL INFORMATION *****

DE BRACKET TYPE	ODE BRACKET TYPE	MOUNT TYPE	ORIENTATION	SEVERE DUTY	HAZARDOUS LOCATION	DRIP COVER	SCREENS	PAINT
STANDARD	STANDARD	RESILIENT RING-EXTENDED STUDS	HORIZONTAL	FALSE	NONE	FALSE	NONE	GRAY (POWDER)

BEARINGS		GREASE	SHAFT TYPE	SPECIAL DE	SPECIAL ODE	SHAFT MATERIAL	FRAME MATERIAL
DE	OPE						
BALL	BALL	MULTEMP SRL	SGL SPL EXT	0.625 x 5.94 WITH 5.50 SEK AND FULL FLAT	NONE	1144 STRESSPROOF (C-223)	ROLLED STEEL
6203	6203						

THERMO-PROTECTORS				THERMISTORS	CONTROL	SPACE /n HEATERS
THERMOSTATS	PROTECTORS	WDG RTDs	BRG RTDs			
NONE	AUT LCK RTR ONLY	NONE	NONE	NONE	FALSE	NONE VOLTS

If Inverter equals NONE, contact factory for further information

INVERTER TORQUE: NONE
INV. HP SPEED RANGE: NONE
ENCODER: NONE
NONE NONE
NONE NONE PPR
BRAKE: NONE NONE
NONE P/N NONE
NONE NONE
NONE FT-LB NONE V NONE Hz

*
N
O
T
E
S
*

** Subject to change without notice.