



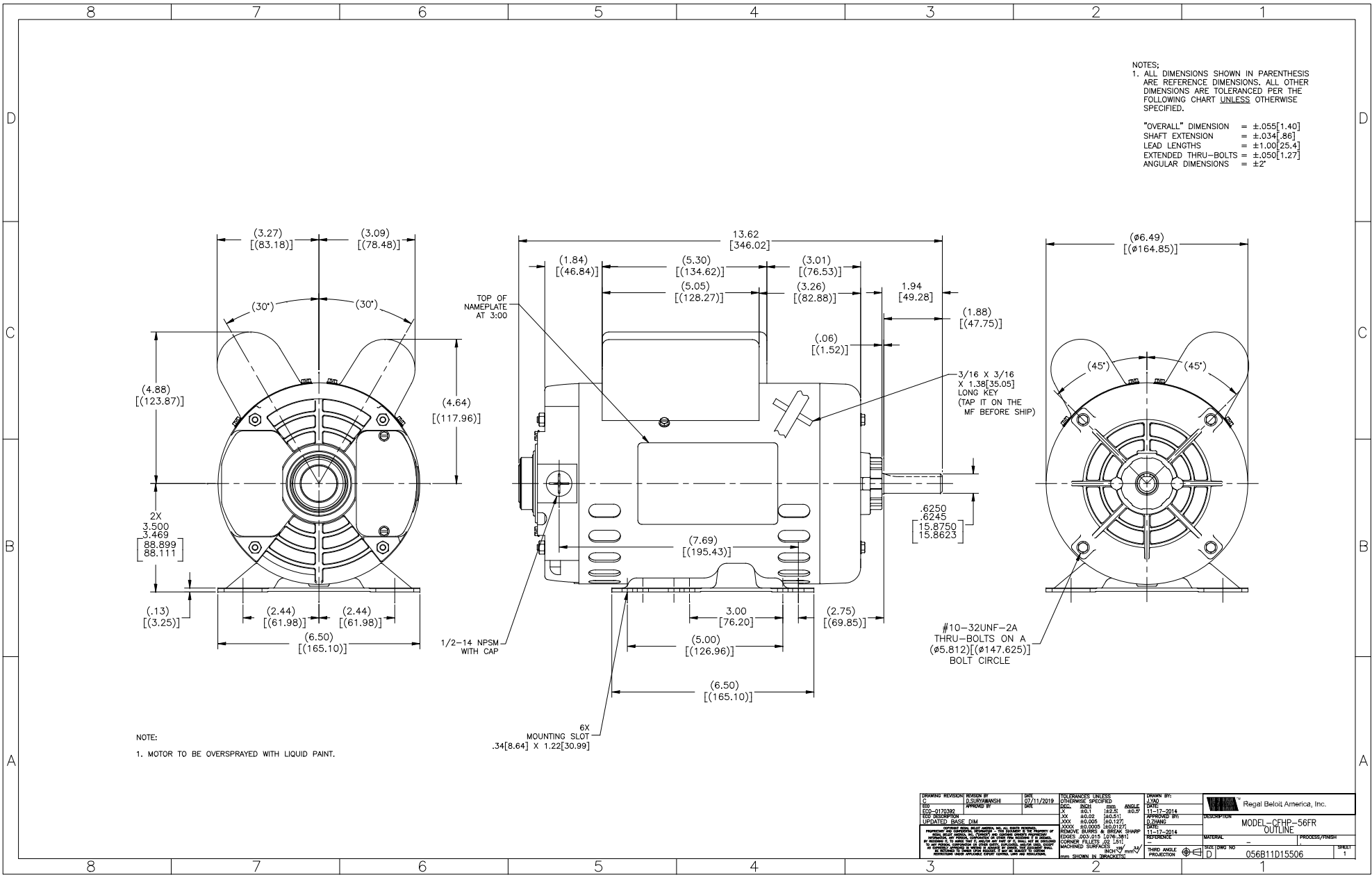
Nameplate Specifications

Output HP	0.75 Hp	Output KW	0.56 kW
Frequency	60 Hz	Voltage	115/230 V
Current	6.5/3.3 A	Speed	1140 rpm
Service Factor	1.15	Phase	1
Efficiency	80.2 %	Power Factor	93.3
Duty	Continuous	Insulation Class	B
Design Code	NO DESIGN CODE	KVA Code	K
Frame	56	Enclosure	Drip Proof
Thermal Protection	No	Ambient Temperature	40 °C
Drive End Bearing Size	6203	Opp Drive End Bearing Size	6203
UL	Recognized	CSA	Y
CE	Y	IP Code	22

Technical Specifications

Electrical Type	Capacitor Start Capacitor Run	Starting Method	Across The Line
Poles	6	Rotation	Selective Counterclockwise
Mounting	Rigid Base	Motor Orientation	Horizontal
Drive End Bearing	Ball	Opp Drive End Bearing	Ball
Frame Material	Rolled Steel	Shaft Type	NEMA 56
Overall Length	13.62 in	Frame Length	8.25 in
Shaft Diameter	0.625 in	Shaft Extension	1.88 in
Assembly/Box Mounting	F1 OUT ODE BRKT RADIAL		
Connection Drawing	D0000435-001	Outline Drawing	056B11D15506-S01

This is an uncontrolled document once printed or downloaded and is subject to change without notice. Date Created:14/12/2020



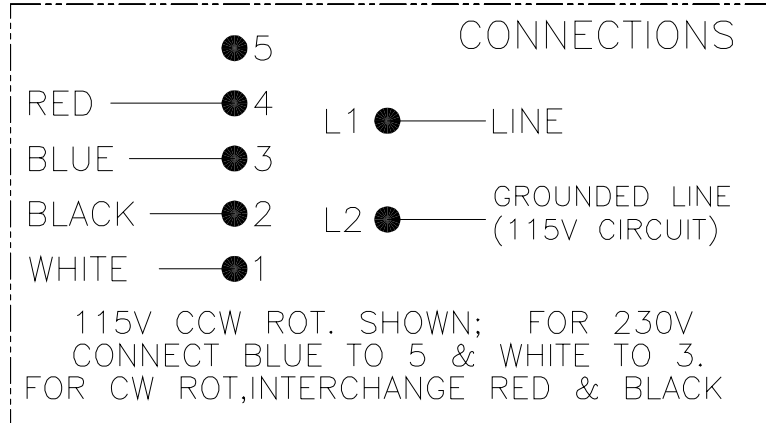
4

3

2

1

REV	ECO	REV BY	DATE	APPD	DATE
A	ECO-0028953	A.BAUGHMAN	11-09-2012	A.BAUGHMAN	11-09-2012



GEOMETRIC CHARACTERISTICS & SYMBOLS
□ FLATNESS
— STRAIGHTNESS
∠ ANGULARITY
⊥ PERPENDICULARITY (SQUARENESS)
// PARALLELISM
○ ROUNDNESS (CIRCULARITY)
⊘ CYLINDRICITY
△ PROFILE OF ANY SURFACE
∩ PROFILE OF ANY LINE
⊕ RUNOUT
⊕ TRUE POSITION
◎ CONCENTRICITY
⊖ SYMMETRY

ASME Y14.5M 1994

UNLESS OTHERWISE SPECIFIED DIM. TOLERANCES ARE AS FOLLOWS:
INCH X XX XXX XXXX
mm ±.1 ±.02 ±.005 ±.0005
mm ±0.5 ±0.13 ±0.013
ANG. ±.50 DEG
REMOVE BURRS & BREAK SHARP EDGES:
INCH .003-.015 mm 0.1-.04
CORNER FILLETS TO:
INCH .020 mm 0.5
MACHINE SURFACES:
INCH 125 mm 3.2
METRIC DIMS. SHOWN IN [BRACKETS]

DR BY:	A.BAUGHMAN	11-09-2012
APPD:	A.BAUGHMAN	11-09-2012
THIRD ANGLE PROJECTION		EDS DATE 11-11-2011 FORMAT REV H
CONFIDENTIAL: THIS DRAWING AND ITS INFORMATION ARE THE EXCLUSIVE AND CONFIDENTIAL PROPERTY OF REGAL-BELOIT CORPORATION AND ARE NOT TO BE DISCLOSED, DUPLICATED, DISTRIBUTED OR OTHERWISE USED WITHOUT THE WRITTEN CONSENT OF REGAL-BELOIT CORPORATION. -ALL RIGHTS RESERVED.		

REGAL REGAL-BELOIT CORPORATION	
DESCRIPTION CONN DIAGRAM-NAMEPLATE	
SIZE C	DWG NO D0000435-001
SCALE NONE	SHEET 1

4

3

2

1

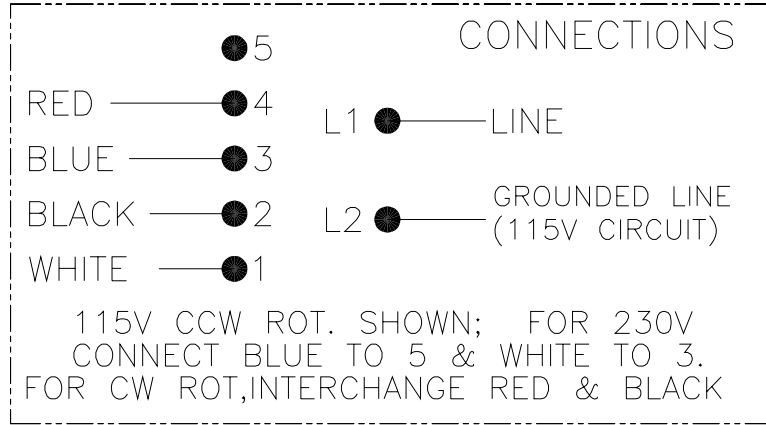
4

3

2

1

REVISION:	ECO	REVISADO POR:	FECHA:	APROBADO POR:	FECHA:
A	ECO-0028953	A.BAUGHMAN	11-09-2012	A.BAUGHMAN	11-09-2012



CARACTERISTICAS DE GEOMETRIA Y SIMBOLOS ▽ PLANICIDAD — RECTITUD ∠ ANGULARIDAD ⊥ PERPENDICULARIDAD (A ESQUADRA) // PARALELISMO ○ REDONDEZ (CIRCULARIDAD) ⌀ CILINDRICIDAD ⊖ PERFIL DE CUALQUIER SUPERFICIE ∩ PERFIL DE CUALQUIER LINEA ≠ VARIACION ⊕ POSICION REAL ⊙ CONCENTRICIDAD ≡ SIMETRIA	A MENOS QUE SE ESPECIFIQUE DE OTRA MANERA, LAS TOLERANCIAS DE LAS DIMS. SON LAS SIGUIENTES: PULG X XX XXX XXXX mm ±.1 ±.02 ±.005 ±.0005 mm ±0.5 ±0.13 ±0.013 ANG. ±50 GRADOS ELIMINAR REBABAS Y ORILLAS FILOSAS DEL BORDE. PULG .003-.015 mm 0.1-0.4 FILETEAR ESQUINA: PULG .020 mm 0.5 MAQUINAR SUPERFICIES PULG 125 mm 3.2 DIMS METRICAS MOSTRADAS [PARENTESIS]	DIBUJADO POR: A.BAUGHMAN 11-09-2012	REGAL-BELOIT CORPORATION
		APROBADO POR: A.BAUGHMAN 11-09-2012	
		TERCER ANGULO DE PROYECCION	FECHA EDS: 11-11-2011 REV. FORMATO: H
		CONFIDENCIAL: ESTE DIBUJO Y SU INFORMACION SON PROPIEDAD DE USO EXCLUSIVO Y CONFIDENCIAL DE REGAL-BELOIT CORPORATION. Y NO DEBERAN SER REVELADOS, DUPLICADOS, DISTRIBUIDOS O USARSE DE OTRA MANERA SIN EL CONSENTIMIENTO ESCRITO DE REGAL-BELOIT CORPORATION. -TODOS LOS DERECHOS RESERVADOS.	TAMANO: C NUMERO DE DIBUJO: D0000435-001
		ESCALA: NONE	HOJA: 1

4

3

2

1

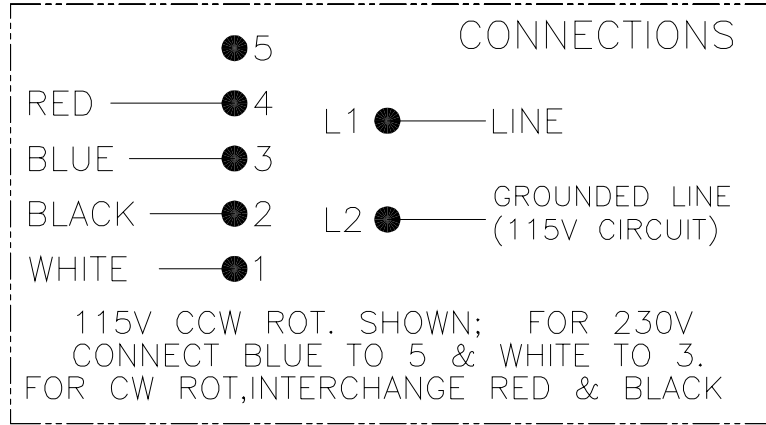
4

3

2

1

版本	ECO	编制	日期	核准	日期
A	ECO-0028953	A.BAUGHMAN	11-09-2012	A.BAUGHMAN	11-09-2012



形位公差 □ 平面度 ⊥ 垂直度 ∠ 倾斜度 ⊥ 垂直度 // 平行度 ⊙ 圆度 ⌀ 圆柱度 ⌒ 圆弧半径度 ⌒ 线轮廓度 ⌒ 圆跳动 ⌒ 位置度 ⊕ 对称度	除另有注明 尺寸公差如下: 英寸 X XX XXX XXXX 毫米 ±.1 ±.02 ±.005 ±.0005 角度 ±.50 度 清理毛刺和尖棱 英寸 .003-.015 毫米 0.1-0.4 内圆角 英寸 .020 毫米 0.5 表面粗糙度 英制 125 公制 3.2 米制尺寸显示在L
---	--

ASME Y14.5M 1994

绘图:	A.BAUGHMAN	11-09-2012
批准:	A.BAUGHMAN	11-09-2012
第三角投影		图版格式发布日期 11-11-2011 图版格式版本 H
机密: 本图纸及相关信息所有权归REGAL-BELOIT CORPORATION. 未经REGAL-BELOIT CORPORATION书面授权, 不得泄露、 复制、传播或作其他用途。--版权所有		

REGAL REGAL-BELOIT CORPORATION

名称
CONN DIAGRAM-NAMEPLATE

图号
D0000435-001

比例
 NONE 1

4

3

2

1