

PRODUCT INFORMATION PACKET

marathon[®]
Motors

Model No: 056C17F5352
Catalog No: D400
1/3,1725,TEFC,56C,1/60/115/208-230
Brake



Regal and Marathon are trademarks of Regal Beloit Corporation or one of its affiliated companies.
©2018 Regal Beloit Corporation, All Rights Reserved. MC017097E

REGAL[®]



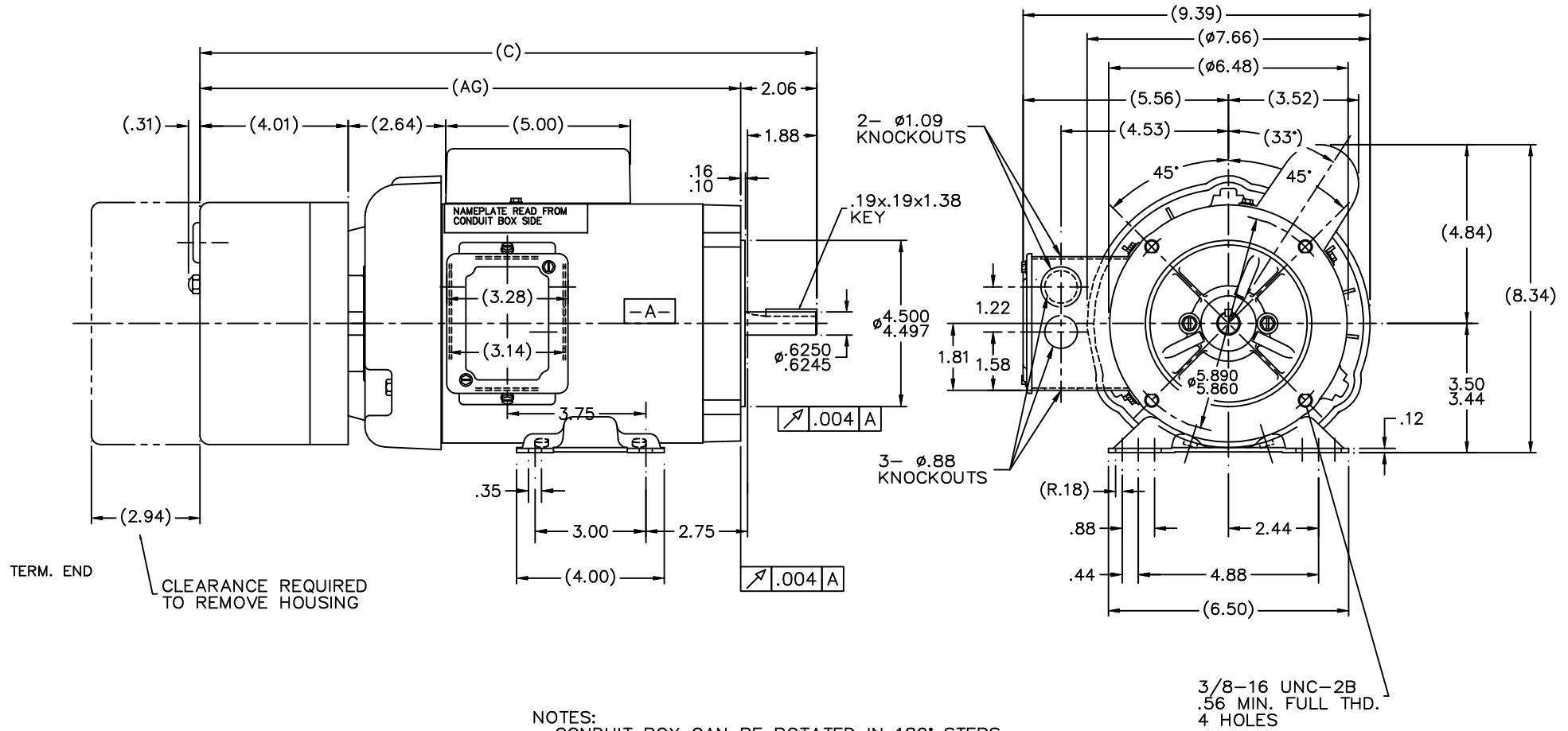
Nameplate Specifications

Output HP	0.33 Hp	Output KW	0.25 kW
Frequency	60 Hz	Voltage	115/208-230 V
Current	6.6/3.1-3.3 A	Speed	1725 rpm
Service Factor	1.15	Phase	1
Efficiency	55 %	Duty	Continuous
Insulation Class	B	Design Code	N
KVA Code	N	Frame	56C
Enclosure	Totally Enclosed Fan Cooled	Overload Protector	No
Ambient Temperature	40 °C	Drive End Bearing Size	6203
Opp Drive End Bearing Size	6203	UL	Recognized
CSA	Y	CE	Y
IP Code	43		

Technical Specifications

Electrical Type	Capacitor Start Induction Run	Starting Method	Across The Line
Poles	4	Rotation	Selective Counterclockwise
Mounting	Bolt-on Base	Motor Orientation	Horizontal
Drive End Bearing	Ball	Opp Drive End Bearing	Ball
Frame Material	Rolled Steel	Shaft Type	NEMA 56
Overall Length	16.2 in	Frame Length	6.56 in
Shaft Diameter	0.625 in	Shaft Extension	2.06 in
Assembly/Box Mounting	F1 Only		
Outline Drawing	B-104413-656	Connection Diagram	102005-51

This is an uncontrolled document once printed or downloaded and is subject to change without notice. Date Created: 06/29/2018

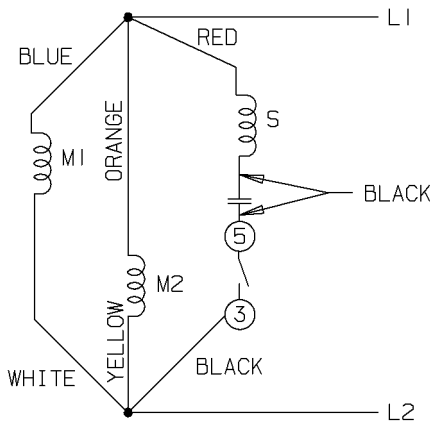


NOTES:
CONDUIT BOX CAN BE ROTATED IN 180° STEPS.
REMOVABLE BASE

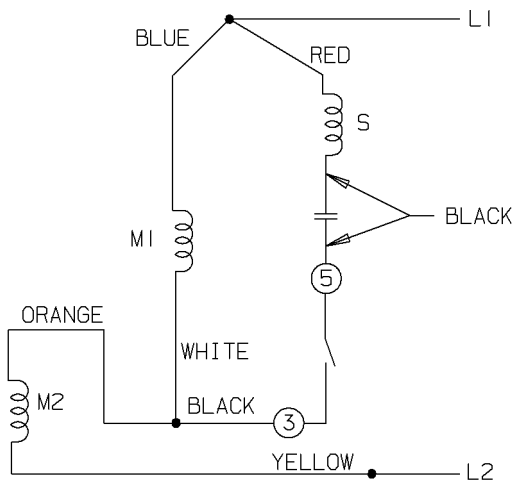
3/8-16 UNC-2B
.56 MIN. FULL THD.
4 HOLES

								TOLERANCES UNLESS SPECIFIED		MARATHON ELECTRIC		DRAWN MH 02-10-1998	
								DEC.	INCHES			CHK	ML 02-16-1998
								.X	±.1			APPD	MS 02-19-1998
								.XX	±.03	TITLE OUTLINE - C'FACE - TEFC		SCALE 3=8	
								.XXX	±.005	56 FR. - 1φ - STEARNS 56000 BRAKE		REF	
								.XXXX	±.0005	MAT'L		FMF	
NO.	REVISION							CHK	ANG	FINISH	PREV		
1	NEW DRAWING MU16924							MH	02-19-1998			CAD FILE 104413	
DASH	FRAME	C	AG	B	2F	2FF	2FFF	RFP		SIZE	DRAWING NO.	PAGE OF	REV.
								DIST	WP	B	104413	1	1

LOW VOLTAGE - C.C.W.

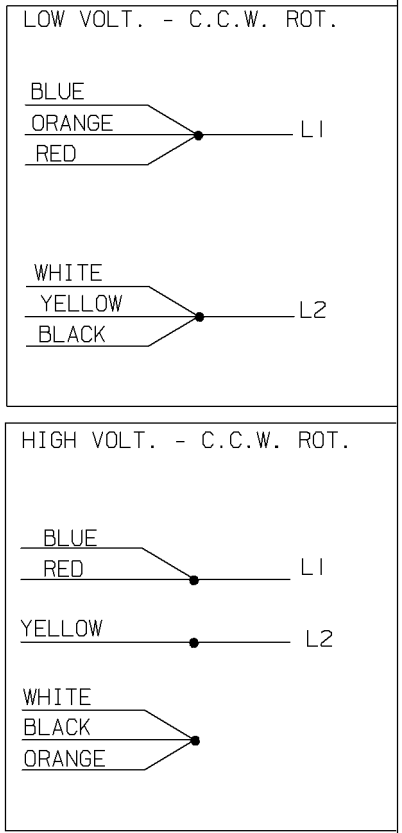
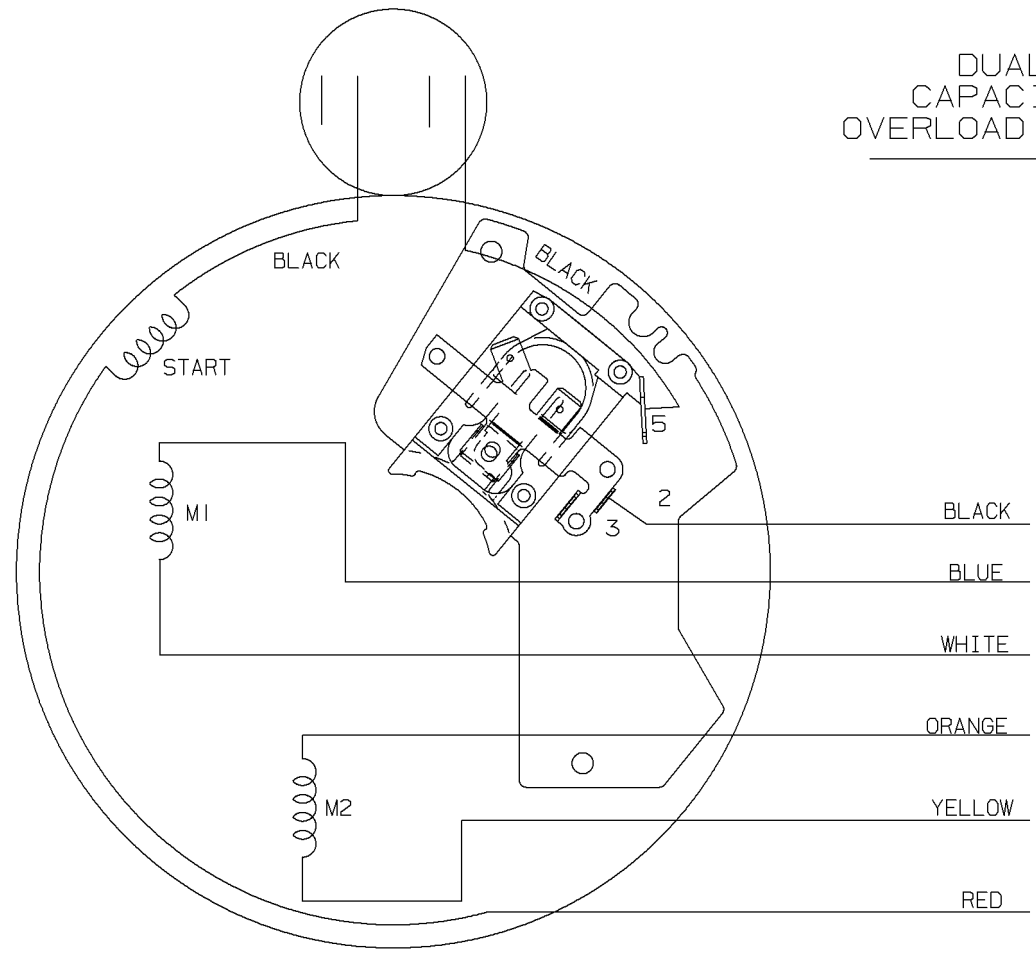


HIGH VOLTAGE - C.C.W.



A-102005-51

DUAL VOLTAGE
CAPACITOR START NO
OVERLOAD SELECT ROTATION



FOR C.W. ROTATION EITHER
VOLTAGE INTERCHANGE
RED WITH BLACK LEAD

				✓ MAX. SURFACE ROUGHNESS UNLESS NOTED OTHERWISE	UNLESS OTHERWISE SPECIFIED DIMENSIONS ARE IN INCHES TOL. ON XX± XXX±.005 XXXX±.0005 ANGLES±			
				MATL SPEC				DRAWN BY CAV 06-18-1999
				FINISH				CHKD BY ML 06-18-1999
5	06-17-1999	REDRAWN	CAV	REFERENCE DRW.	WAUSAU, WISCONSIN 54401			APPD BY GK 06-18-1999
REV	DATE	CHANGE	NAME	PART NAME CONNECTION DIAGRAM				DRWG NO A-102005-51

SHOP BOOK

PURCHASED

DISTRIBUTION - WA - LB - WP - LM - BR

CADD FILE NO.

102005-51

```
ERROR: syntaxerror  
OFFENDING COMMAND: --nostringval--
```

```
STACK:
```

```
/p2e  
-savelevel-
```

