

# PRODUCT INFORMATION PACKET

Model No: 056C17V5303  
Catalog No: N280  
1/3,1800,TENV,56HC,1/60/115/208-230  
Washdown Duty



Regal and Marathon are trademarks of Regal Beloit Corporation or one of its affiliated companies.  
©2018 Regal Beloit Corporation, All Rights Reserved. MC017097E





### Nameplate Specifications

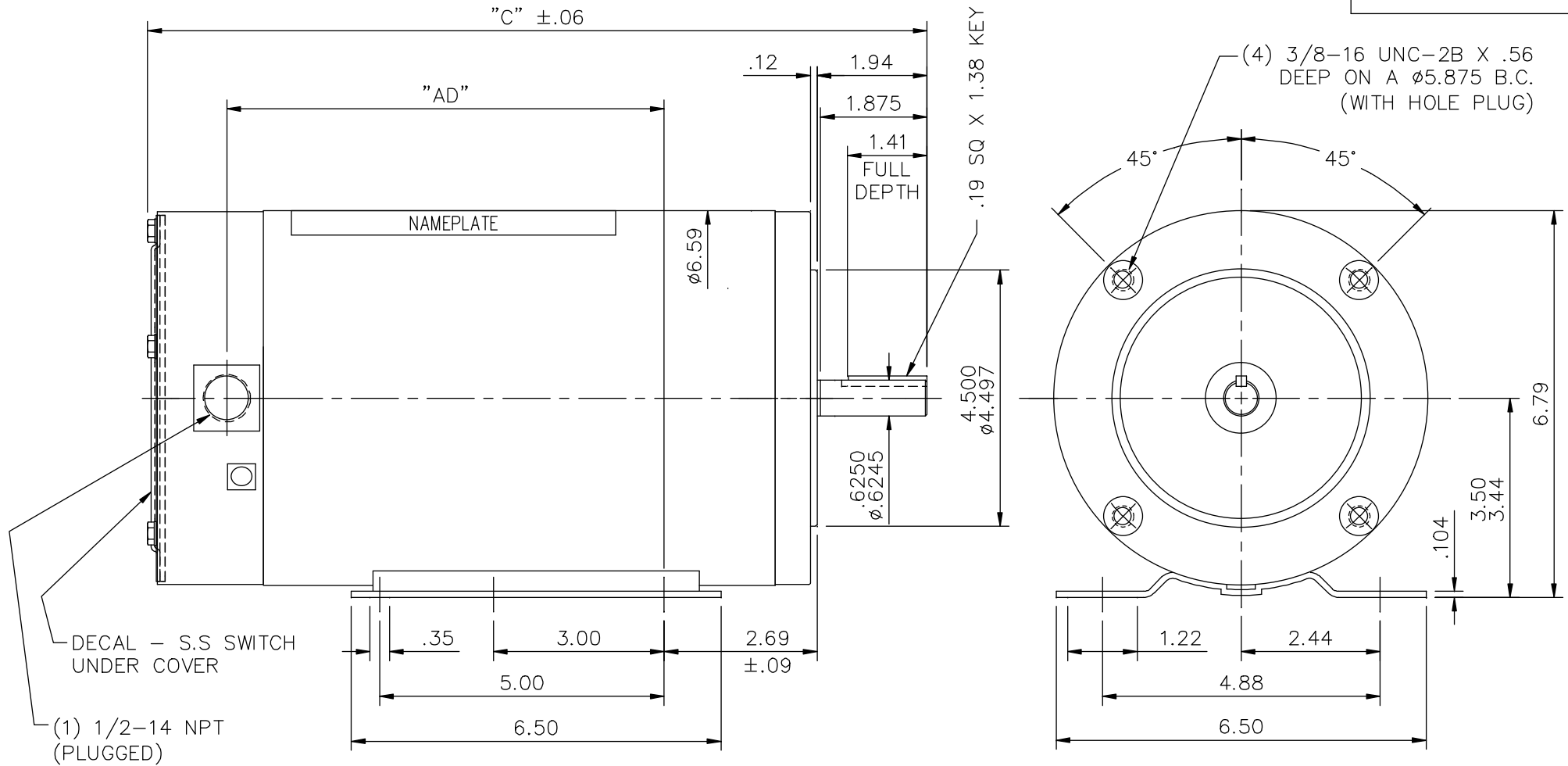
|                            |  |                        |                      |
|----------------------------|--|------------------------|----------------------|
| Output HP                  | <b>0.33 Hp</b>                         | Output KW              | <b>0.25 kW</b>       |
| Frequency                  | <b>60 Hz</b>                           | Voltage                | <b>115/208-230 V</b> |
| Current                    | <b>5.4/3.0-2.7 A</b>                   | Speed                  | <b>1725 rpm</b>      |
| Service Factor             | <b>1.15</b>                            | Phase                  | <b>1</b>             |
| Efficiency                 | <b>72 %</b>                            | Duty                   | <b>Continuous</b>    |
| Insulation Class           | <b>F</b>                               | Design Code            | <b>L</b>             |
| KVA Code                   | <b>M</b>                               | Frame                  | <b>56HC</b>          |
| Enclosure                  | <b>Totally Enclosed Non Ventilated</b> | Overload Protector     | <b>No</b>            |
| Ambient Temperature        | <b>40 °C</b>                           | Drive End Bearing Size | <b>6205</b>          |
| Opp Drive End Bearing Size | <b>6203</b>                            | UL                     | <b>Recognized</b>    |
| CSA                        | <b>Y</b>                               | CE                     | <b>Y</b>             |
| IP Code                    | <b>55</b>                              |                        |                      |

### Technical Specifications

|                       |                                      |                       |                                   |
|-----------------------|--------------------------------------|-----------------------|-----------------------------------|
| Electrical Type       | <b>Capacitor Start Induction Run</b> | Starting Method       | <b>Across The Line</b>            |
| Poles                 | <b>4</b>                             | Rotation              | <b>Selective Counterclockwise</b> |
| Mounting              | <b>Rigid base</b>                    | Motor Orientation     | <b>Horizontal</b>                 |
| Drive End Bearing     | <b>Ball</b>                          | Opp Drive End Bearing | <b>Ball</b>                       |
| Frame Material        | <b>Stainless Steel</b>               | Shaft Type            | <b>NEMA 56</b>                    |
| Overall Length        | <b>12.2 in</b>                       | Frame Length          | <b>7.50 in</b>                    |
| Shaft Diameter        | <b>0.625 in</b>                      | Shaft Extension       | <b>1.94 in</b>                    |
| Assembly/Box Mounting | <b>F1 Only</b>                       |                       |                                   |
| Outline Drawing       | <b>034991ME-750</b>                  | Connection Diagram    | <b>005278.01ME</b>                |

This is an uncontrolled document once printed or downloaded and is subject to change without notice. Date Created: 06/29/2018

034991ME



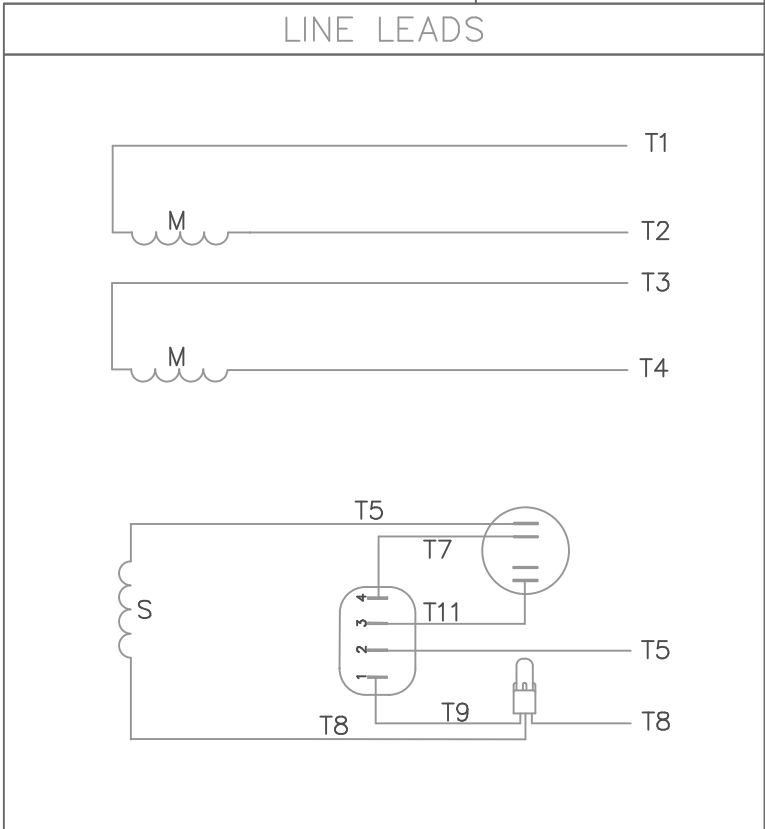
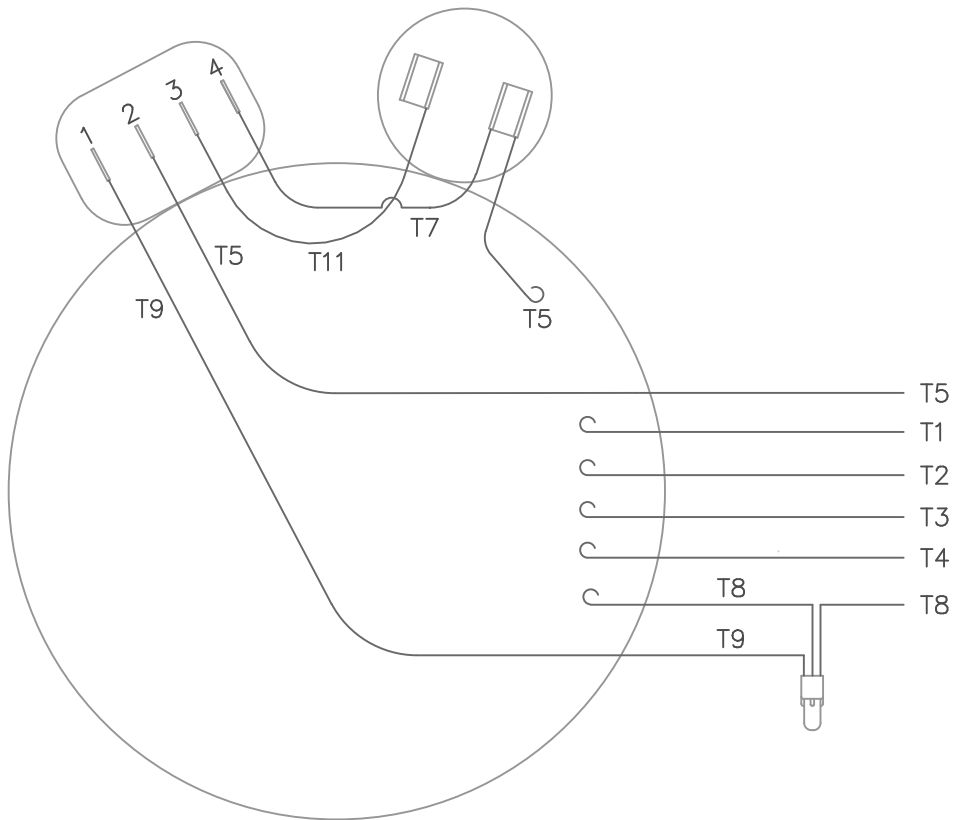
**SPECIAL FEATURES:**  
 VITON CONDUIT BOX & COVER GASKETS  
 VITON O-RINGS IN ENDBELL RABBETS  
 VITON SHAFT SEAL  
 BREATHER PLUGS IN L.E. ENDBELL (B.I.C.B.)  
 ALL STAINLESS STEEL CONSTRUCTION

| DASH NO. | "C"   | "AD" |
|----------|-------|------|
| 750      | 12.20 | 6.19 |
| 800      | 12.70 | 6.69 |
| 850      | 13.20 | 7.19 |
| 900      | 13.70 | 7.69 |

MAXIMUM FACE RUNOUT TO BE .004 T.I.R.  
 MAXIMUM PILOT ECCENTRICITY .004 T.I.R.  
 PERMISSIBLE SHAFT RUNOUT .002 T.I.R.

| NO.  |  | REVISION |  | BY & DATE |  | TOLERANCES UNLESS SPECIFIED |        |                 | DRAWN PVR 09/02/13 |      |             |      |
|--|--|----------|--|-----------|--|-----------------------------|--------|-----------------|--------------------|------|-------------|------|
|  |  |          |  |           |  | DEC.                        | INCHES |                 | CHK JD 09/02/13    |      |             |      |
|  |  |          |  |           |  | .X                          | ±.1    |                 | APPD               |      |             |      |
|  |  |          |  |           |  | .XX                         | ±.03   |                 | SCALE 3=8          |      |             |      |
|  |  |          |  |           |  | .XXX                        | ±.005  |                 | REF 034991         |      |             |      |
|  |  |          |  |           |  | .XXXX                       | ±.0005 | FMF 056C17V5303 |                    |      |             |      |
|  |  |          |  |           |  | ANG                         | ±1/2'  | PREV            |                    |      |             |      |
| THIS DRAWING IN DESIGN AND DETAIL IS OUR PROPERTY AND MUST NOT BE USED EXCEPT IN CONNECTION WITH OUR WORK ALL RIGHTS OF DESIGN AND INVENTION ARE RESERVED THIS IS AN ELECTRONICALLY GENERATED DOCUMENT - DO NOT SCALE THIS PRINT |  |          |  |           |  | RFP                         |        | CAD FILE        | 034991ME           | SIZE | DRAWING NO. | REV. |
|  |  |          |  |           |  | DIST                        |        |                 |                    | A    | 034991ME    |      |

VIEW FROM OUTSIDE OF MOTOR AT SWITCH END



|           | ROTATION FACING LEAD END | L1          | L2          | JOIN & INSULATE |
|-----------|--------------------------|-------------|-------------|-----------------|
| HIGH VOLT | C.C.W.                   | T1          | T4<br>T5    | T2,T3<br>T8     |
|           | C.W.                     | T1          | T4<br>T8    | T2,T3<br>T5     |
| LOW VOLT  | C.C.W.                   | T1,T3<br>T8 | T2,T4<br>T5 |                 |
|           | C.W.                     | T1,T3<br>T5 | T2,T4<br>T8 |                 |

|  |          |                             |        |                       |          |                    |                  |
|--|----------|-----------------------------|--------|-----------------------|----------|--------------------|------------------|
|  |          | TOLERANCES UNLESS SPECIFIED |        |                       |          | DRAWN RDW 04/18/02 |                  |
|  |          | DEC.                        | INCHES |                       |          | CHK                |                  |
|  |          | .X                          | ±.1    |                       |          | APPD KMM 04/18/02  |                  |
|  |          | .XX                         | ±.01   |                       |          | SCALE 1=1          |                  |
|  |          | .XXX                        | ±.005  |                       |          | REF                |                  |
|  |          | .XXXX                       | ±.0005 | MAT'L. DECAL - 004012 |          | FMF                |                  |
| NO.  | REVISION | BY & DATE                   | CHK    | ANG                   | ±1/2'    | PREV               |                  |
| THIS DRAWING IN DESIGN AND DETAIL IS OUR PROPERTY AND MUST NOT BE USED EXCEPT IN CONNECTION WITH OUR WORK ALL RIGHTS OF DESIGN AND INVENTION ARE RESERVED THIS IS AN ELECTRONICALLY GENERATED DOCUMENT - DO NOT SCALE THIS PRINT |          |                             | RFP    | 04/18/02              | CAD FILE | 00527801ME         | SIZE DRAWING NO. |
|  |          |                             | DIST   |                       |          |                    | A 005278-01ME    |
|  |          |                             |        |                       |          |                    | REV.             |

CERTIFICATION DATA SHEET

**Model#:** 56C17V5303 A                      **WINDING#:** C634301 NR 3  
**CONN. DIAGRAM:** 005278.01ME            **ASSEMBLY:** F1 ONLY  
**OUTLINE:** 034991ME-750

TYPICAL MOTOR PERFORMANCE DATA

| HP  | KW   | SYNC. RPM | F.L. RPM | FRAME | ENCLOSURE | KVA CODE | DESIGN |
|-----|------|-----------|----------|-------|-----------|----------|--------|
| 1/3 | 0.25 | 1800      | 1725     | 56HC  | TENV      | M        | L      |

| PH | Hz | VOLTS       | FL AMPS   | START TYPE      | DUTY       | INSL | S.F  | AMB°C | ELEVATION |
|----|----|-------------|-----------|-----------------|------------|------|------|-------|-----------|
| 1  | 60 | 115/208-230 | 5.4/3-2.7 | ACROSS THE LINE | CONTINUOUS | F4   | 1.15 | 40    | 3300      |

| FULL LOAD EFF: 72 | 3/4 LOAD EFF: 71.5 | 1/2 LOAD EFF: 66.8 | GTD. EFF | ELEC. TYPE        | NO LOAD AMPS |
|-------------------|--------------------|--------------------|----------|-------------------|--------------|
| FULL LOAD PF: 60  | 3/4 LOAD PF: 46.5  | 1/2 LOAD PF: 37    | 0        | CAP START IND RUN | 3.8 / 1.9    |

| F.L. TORQUE | LOCKED ROTOR AMPS | L.R. TORQUE  | B.D. TORQUE  | F.L. RISE°C |
|-------------|-------------------|--------------|--------------|-------------|
| 16 LB-FT    | 32 / 16           | 62 LB-FT 388 | 45 LB-FT 281 | 0           |

| SOUND PRESSURE @ 3 FT. | SOUND POWER | ROTOR WK^2   | MAX. WK^2 | SAFE STALL TIME | STARTS /HOUR | APPROX. MOTOR WGT |
|------------------------|-------------|--------------|-----------|-----------------|--------------|-------------------|
| 60 dBA                 | 70 dBA      | 0.08 LB-FT^2 | - LB-FT^2 | 10 SEC.         | -            | 0 LBS.            |

\*\*\* SUPPLEMENTAL INFORMATION \*\*\*

| DE BRACKET TYPE | ODE BRACKET TYPE | MOUNT TYPE | ORIENTATION | SEVERE DUTY | HAZARDOUS LOCATION | DRIP COVER | SCREENS | PAINT    |
|-----------------|------------------|------------|-------------|-------------|--------------------|------------|---------|----------|
| C-FACE          | STANDARD         | RIGID      | HORIZONTAL  | FALSE       | NONE               | FALSE      | NONE    | NO PAINT |

| BEARINGS |      | GREASE     | SHAFT TYPE  | SPECIAL DE | SPECIAL ODE | SHAFT MATERIAL        | FRAME MATERIAL  |
|----------|------|------------|-------------|------------|-------------|-----------------------|-----------------|
| DE       | OPE  | POLYREX EM | STANDARD 56 | NONE       | NONE        | 303 STAINLESS (C-501) | STAINLESS STEEL |
| BALL     | BALL |            |             |            |             |                       |                 |
| 6205     | 6203 |            |             |            |             |                       |                 |

| THERMO-PROTECTORS |            |          |          | THERMISTORS | CONTROL | SPACE /n HEATERS |
|-------------------|------------|----------|----------|-------------|---------|------------------|
| THERMOSTATS       | PROTECTORS | WDG RTDs | BRG RTDs | NONE        | FALSE   | NONE VOLTS       |
| NONE              | NOT        | NONE     | NONE     |             |         |                  |

If Inverter equals NONE, contact factory for further information

\*  
N  
O  
T  
E  
S  
\*

|                           |
|---------------------------|
| INVERTER TORQUE: NONE     |
| INV. HP SPEED RANGE: NONE |
| ENCODER: NONE             |
| NONE NONE                 |
| NONE NONE PPR             |
| BRAKE: NONE NONE          |
| NONE P/N NONE             |
| NONE NONE                 |
| NONE FT-LB NONE V NONE Hz |

DATE: 06/27/2017 07:26:41 AM  
 FORM 3531 REV.3 02/07/99  
 \*\* Subject to change without notice.