

PRODUCT INFORMATION PACKET

Model No: 056C34D2119
Catalog No: J055
1/2,3450,DP,56J,1/60/115/230
Single Phase



Regal and Marathon are trademarks of Regal Beloit Corporation or one of its affiliated companies.
©2018 Regal Beloit Corporation, All Rights Reserved. MC017097E





Nameplate Specifications

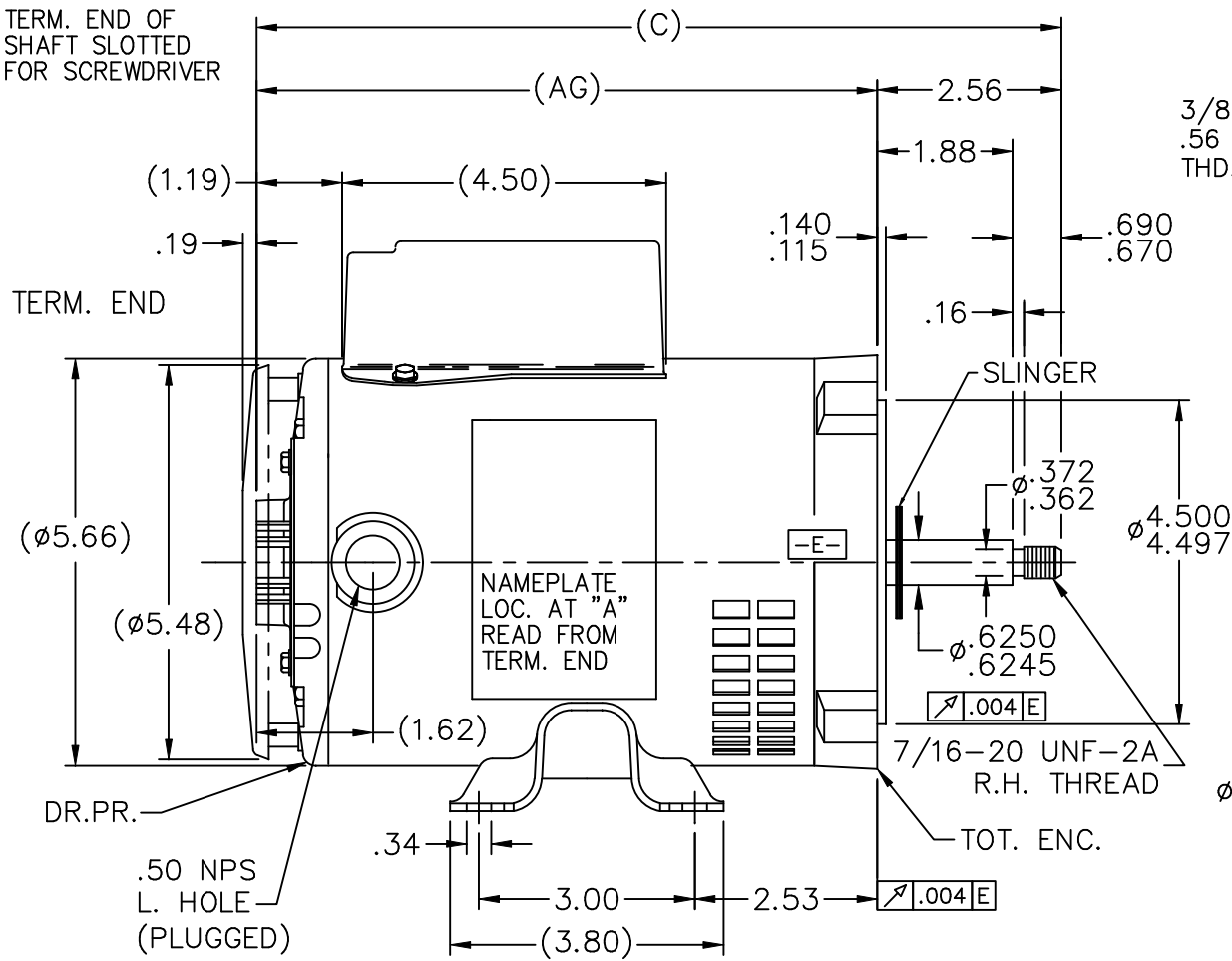
Output HP	0.50 Hp	Output KW	0.37 kW
Frequency	60 Hz	Voltage	115/208-230 V
Current	7.4/3.5-3.7 A	Speed	3450 rpm
Service Factor	1.6	Phase	1
Efficiency	62 %	Duty	Continuous
Insulation Class	B	Design Code	NO DESIGN CODE
KVA Code	L	Frame	56J
Enclosure	Drip Proof	Overload Protector	Automatic
Ambient Temperature	40 °C	Drive End Bearing Size	6203
Opp Drive End Bearing Size	6203	UL	Recognized
CSA	Y	CE	Y
IP Code	22		

Technical Specifications

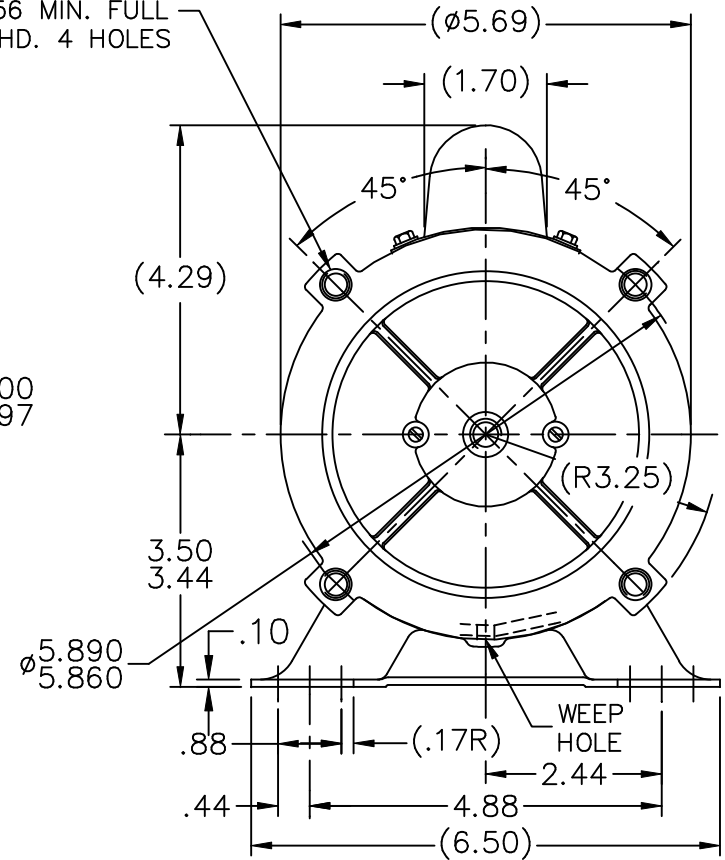
Electrical Type	Capacitor Start Induction Run	Starting Method	Across The Line
Poles	2	Rotation	Fixed Clockwise
Mounting	Rigid base	Motor Orientation	Horizontal Or Shaft Down
Drive End Bearing	Ball	Opp Drive End Bearing	Ball
Frame Material	Rolled Steel	Shaft Type	J
Overall Length	11.19 in	Frame Length	6.75 in
Shaft Diameter	0.625 in	Shaft Extension	2.56 in
Assembly/Box Mounting	F1 Only		
Outline Drawing	A-SS75914-675	Connection Diagram	A-EE9002V

This is an uncontrolled document once printed or downloaded and is subject to change without notice. Date Created: 06/28/2018

TERM. END OF
SHAFT SLOTTED
FOR SCREWDRIVER



3/8-16 UNC-2B
.56 MIN. FULL
THD. 4 HOLES



DASH		C	AG		DASH		C	AG		DASH		C	AG	
625		10.69	8.12		700		11.44	8.88		775		12.19	9.62	
650		10.94	8.38		725		11.69	9.12						
675		11.19	8.62		750		11.94	9.38						

NO.	REVISION	BY & DATE	CHK	ANG	TOLERANCES UNLESS SPECIFIED		FINISH
					DEC.	INCHES	
5	UPDATED DRAWING	TJW 04/20/2007			DEC.	INCHES	
4	REDRAWN IN AUTOCAD	TAT 07-13-2004	ML	.X	.X	±.1	
3	ADDED NEW FRONT BRACKET	CN 20124	RJM	04-04-1995	.XX	±.03	
2	PHANTOM DRIPCOVER - ADDED SLINGER	CN 16315	KL	09-28-1993	.XXX	±.005	
1	NEW DRAWING	4041651	DD	07-02-1993	.XXXX	±.0005	
						±7'30"	

TOLERANCES UNLESS SPECIFIED

MARATHON ELECTRIC

TITLE OUTLINE

MAT'L.

FINISH

RFP

DIST WP

CAD FILE ss75914

SIZE A

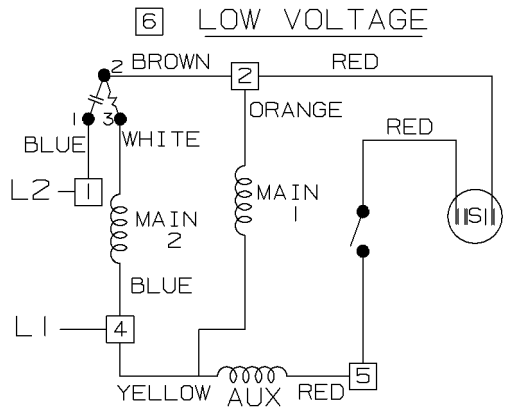
DRAWING NO. SS75914

PAGE OF

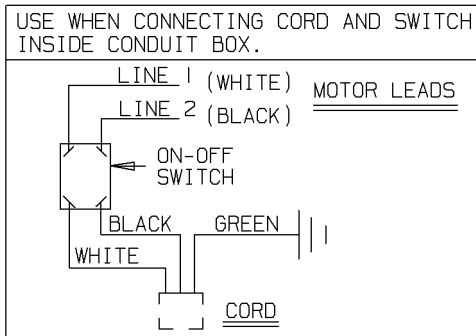
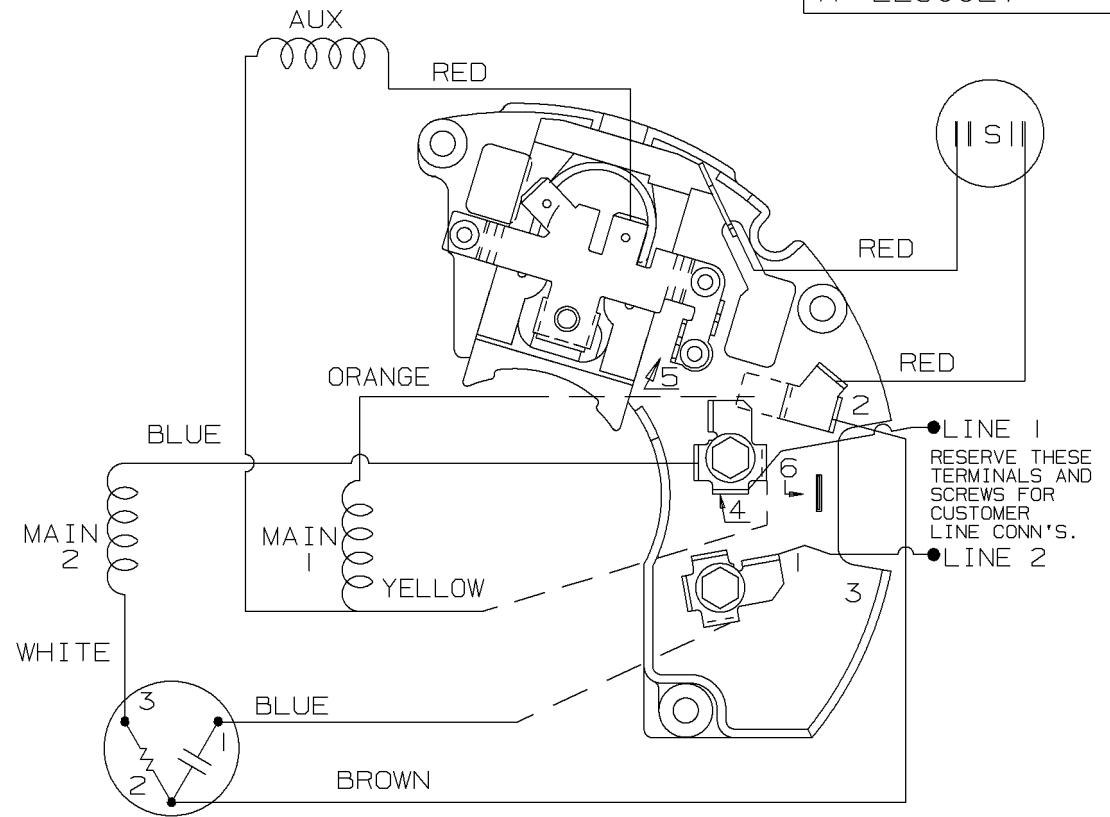
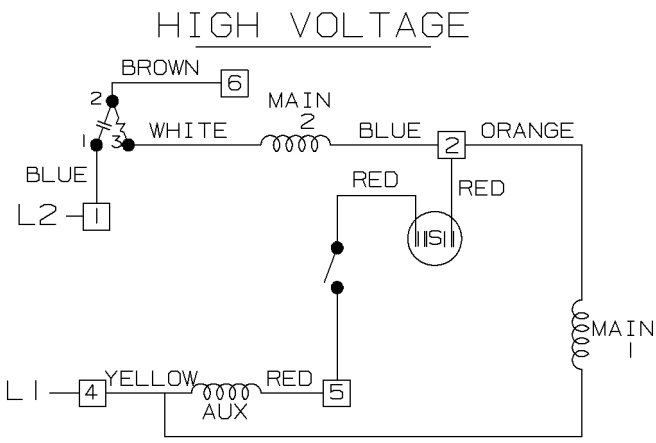
REV. 5

DRAWN DD 06-30-1993
CHK MOL 07-01-1993
APPD MB 07-01-1993
SCALE 3=8
REF
FMF
PREV

THIS DRAWING IN DESIGN AND DETAIL IS OUR PROPERTY AND MUST NOT BE USED EXCEPT IN CONNECTION WITH OUR WORK ALL RIGHTS OF DESIGN AND INVENTION ARE RESERVED THIS IS AN ELECTRONICALLY GENERATED DOCUMENT - DO NOT SCALE THIS PRINT



DUAL VOLTAGE
CAP. START NOT REVERSIBLE
WITH OVERLOAD PROTECTION.



VIEWING TERM END

LOW VOLTAGE CW ROTATION SHOWN.
FOR HIGH VOLTAGE
CONNECT BROWN TERM 2 TO TERM 6.
CONNECT BLUE TERM 4 TO TERM 2.

DASH LINES INDICATE LEADS CONNECTED TO MOTOR SIDE OF SWITCH.

3	01-28-1991	REVISED LINE 2 LOCATION	RM	✓ MAX. SURFACE ROUGHNESS UNLESS NOTED OTHERWISE	UNLESS OTHERWISE SPECIFIED DIMENSIONS ARE IN INCHES TOL. ON XX± XXX±.005 XXXX±.0005 ANGLES±
2	01-04-1991	ADDED CORD - SWITCH CONNECTION	SMC	MATL SPEC	DRAWN BY SMC 12-11-1990
1	112-11-1990	NEW DRAWING	SMC	FINISH	CHKD BY ML 12-11-1990
REV	DATE	CHANGE	NAME	REFERENCE DRW.	APPD BY GK 12-11-1990
			PART NAME CONNECTION DIAGRAM		DRWG NO
			48 FR. DUAL VOLTAGE NOT REVERSIBLE		A- EE9002V



```
ERROR: syntaxerror  
OFFENDING COMMAND: --nostringval--
```

```
STACK:
```

```
 /im  
-savelevel-
```

CERTIFICATION DATA SHEET

Model#: 56C34D2119 F WINDING#: CE482183 NONE 3
 CONN. DIAGRAM: A-EE9002V ASSEMBLY: F1 ONLY
 OUTLINE: A-SS75914-675

TYPICAL MOTOR PERFORMANCE DATA

HP	KW	SYNC. RPM	F.L. RPM	FRAME	ENCLOSURE	KVA CODE	DESIGN		
1/2	.37	3600	3450	56J	DP	L	NO DESIGN CODE		
PH	Hz	VOLTS	FL AMPS	START TYPE	DUTY	INSL	S.F	AMB°C	ELEVATION
1	60	115/208-230	7.4/3.5-3.7	ACROSS THE LINE	CONTINUOUS	B3	1.6	40	3300
FULL LOAD EFF: 62	3/4 LOAD EFF: 0	1/2 LOAD EFF: 0	GTD. EFF	ELEC. TYPE	NO LOAD AMPS				
FULL LOAD PF: 72.5	3/4 LOAD PF: 0	1/2 LOAD PF: 0	0	CAP START IND RUN	5.3 / 2.7				
F.L. TORQUE	LOCKED ROTOR AMPS	L.R. TORQUE	B.D. TORQUE	F.L. RISE°C					
12 LB-FT	38.2 / 19.1	22.9 LB-FT -	31.1 LB-FT -	50					
SOUND PRESSURE @ 3 FT.	SOUND POWER	ROTOR WK^2	MAX. WK^2	SAFE STALL TIME	STARTS /HOUR	APPROX. MOTOR WGT			
0 dBA	10 dBA	0 LB-FT^2	0 LB-FT^2	15 SEC.	4	0 LBS.			

*** SUPPLEMENTAL INFORMATION ***

DE BRACKET TYPE	ODE BRACKET TYPE	MOUNT TYPE	ORIENTATION	SEVERE DUTY	HAZARDOUS LOCATION	DRIP COVER	SCREENS	PAINT
C-FACE	STANDARD	RIGID	HORIZONTAL OR SHAFT DOWN	FALSE	NONE	TRUE	NONE	GRAY (POWDER)

BEARINGS		GREASE	SHAFT TYPE	SPECIAL DE	SPECIAL ODE	SHAFT MATERIAL	FRAME MATERIAL
DE	OPE						
BALL	BALL	POLYREX EM	JET PUMP	NONE	NONE	416 STAINLESS (C-503)	ROLLED STEEL
6203	6203						

THERMO-PROTECTORS				THERMISTORS	CONTROL	SPACE /n HEATERS
THERMOSTATS	PROTECTORS	WDG RTDs	BRG RTDs			
NONE	AUTOMATIC	NONE	NONE	NONE	FALSE	NONE VOLTS

If Inverter equals NONE, contact factory for further information

INVERTER TORQUE: NONE	
INV. HP SPEED RANGE: NONE	
ENCODER: NONE	
NONE NONE	
NONE NONE PPR	
BRAKE: NONE NONE	
NONE P/N NONE	
NONE NONE	
NONE FT-LB	NONE V NONE Hz

*
N
O
T
E
S
*

DATE: 06/27/2017 07:46:55 AM
 FORM 3531 REV.3 02/07/99
 ** Subject to change without notice.