

PRODUCT INFORMATION PACKET

Model No: 056C34V5302
Catalog No: N281
1/2,3600,TENV,56HC,1/60/115/208-230
Washdown Duty



Regal and Marathon are trademarks of Regal Beloit Corporation or one of its affiliated companies.
©2018 Regal Beloit Corporation, All Rights Reserved. MC017097E





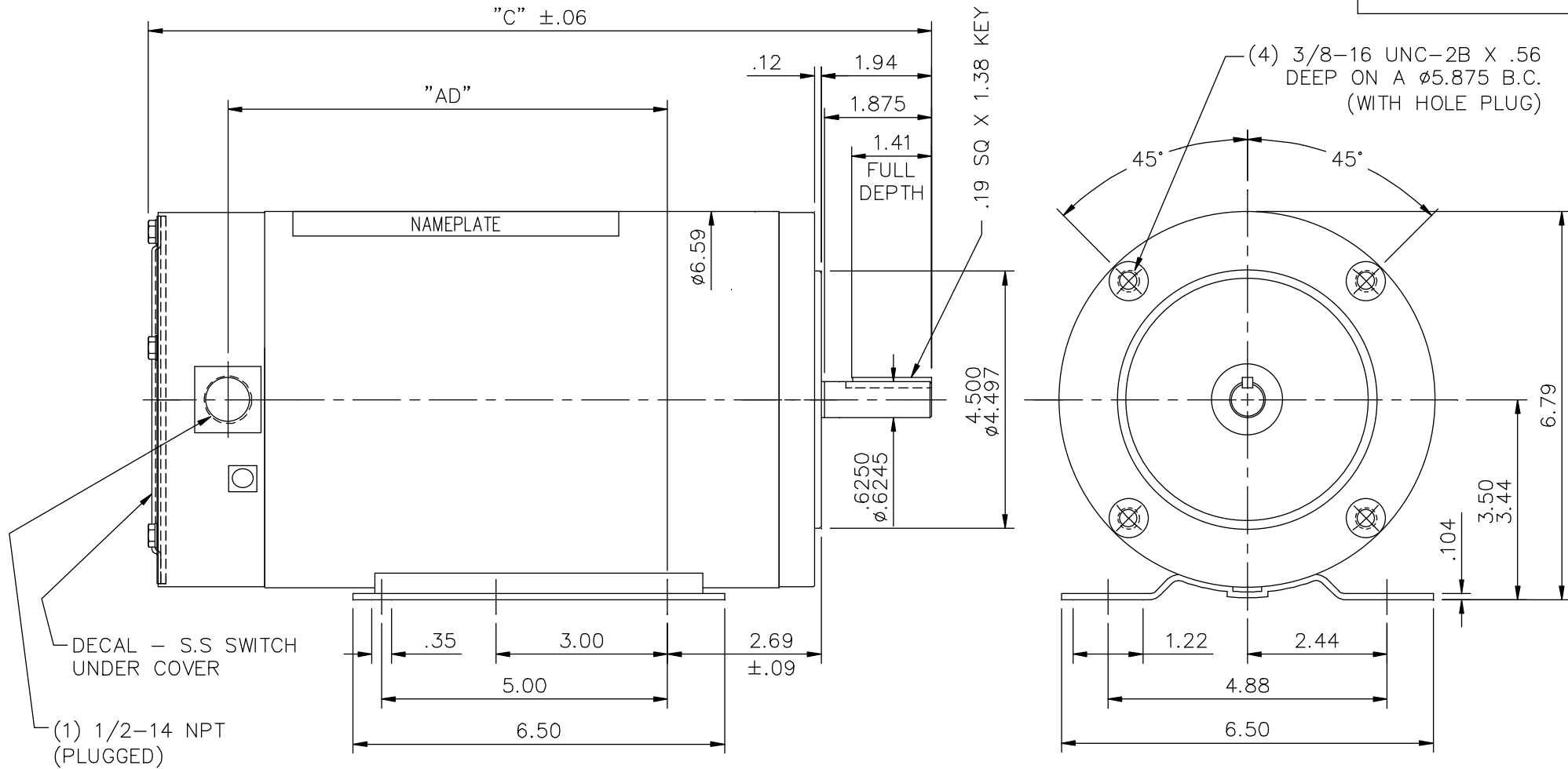
Nameplate Specifications

Output HP	0.50 Hp	Output KW	0.37 kW
Frequency	60 Hz	Voltage	115/208-230 V
Current	7.6/4.0-3.8 A	Speed	3450 rpm
Service Factor	1.15	Phase	1
Efficiency	66 %	Duty	Continuous
Insulation Class	F	Design Code	L
KVA Code	M	Frame	56HC
Enclosure	Totally Enclosed Non Ventilated	Overload Protector	No
Ambient Temperature	40 °C	Drive End Bearing Size	6205
Opp Drive End Bearing Size	6203	UL	Recognized
CSA	Y	CE	Y
IP Code	55		

Technical Specifications

Electrical Type	Capacitor Start Induction Run	Starting Method	Across The Line
Poles	2	Rotation	Selective Counterclockwise
Mounting	Rigid base	Motor Orientation	Horizontal
Drive End Bearing	Ball	Opp Drive End Bearing	Ball
Frame Material	Stainless Steel	Shaft Type	NEMA 56
Overall Length	12.2 in	Frame Length	7.50 in
Shaft Diameter	0.625 in	Shaft Extension	1.94 in
Assembly/Box Mounting	F1 Only		
Outline Drawing	034991ME-750	Connection Diagram	005278.01ME

This is an uncontrolled document once printed or downloaded and is subject to change without notice. Date Created: 06/29/2018



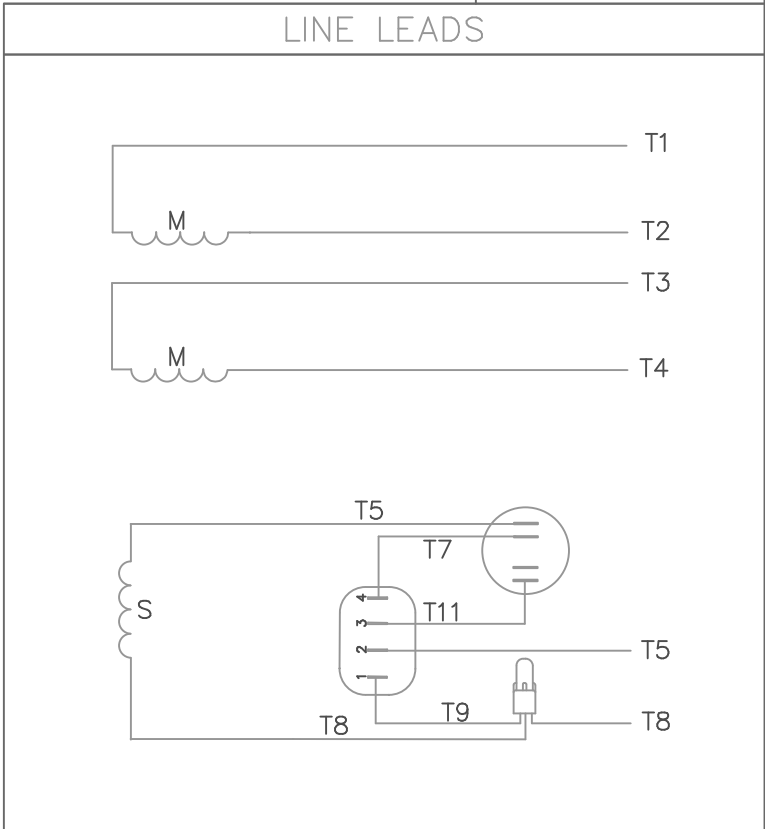
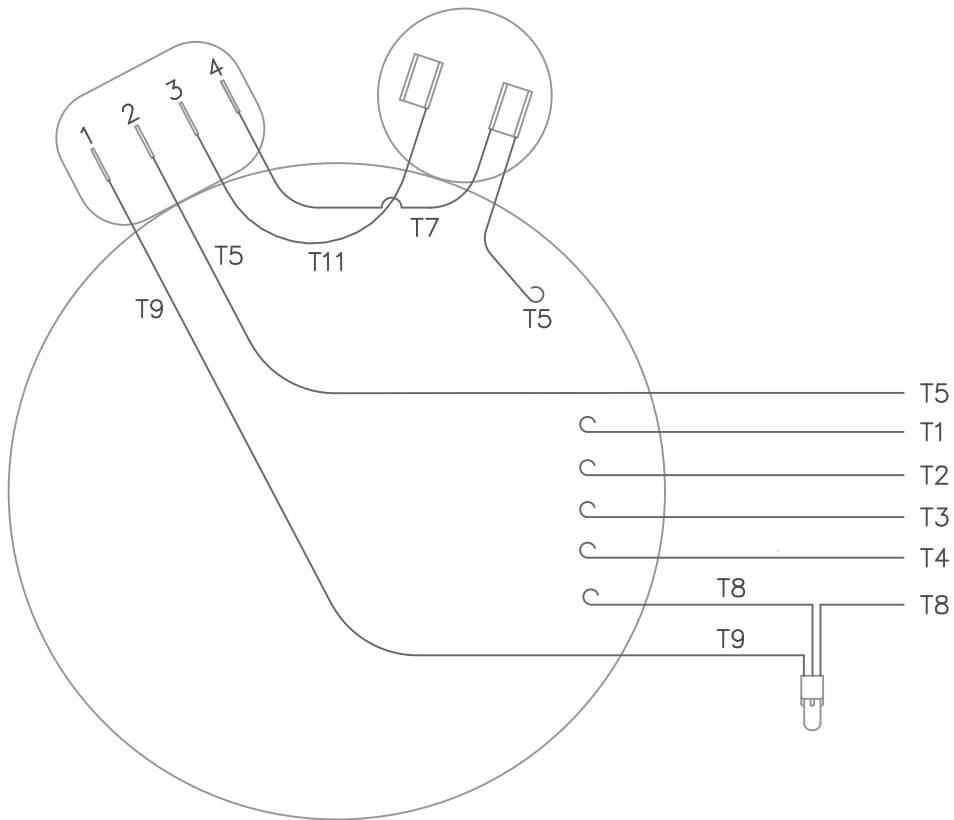
SPECIAL FEATURES:
 VITON CONDUIT BOX & COVER GASKETS
 VITON O-RINGS IN ENDBELL RABBETS
 VITON SHAFT SEAL
 BREATHER PLUGS IN L.E. ENDBELL (B.I.C.B.)
 ALL STAINLESS STEEL CONSTRUCTION

DASH NO.	"C"	"AD"
750	12.20	6.19
800	12.70	6.69
850	13.20	7.19
900	13.70	7.69

MAXIMUM FACE RUNOUT TO BE .004 T.I.R.
 MAXIMUM PILOT ECCENTRICITY .004 T.I.R.
 PERMISSIBLE SHAFT RUNOUT .002 T.I.R.

			TOLERANCES UNLESS SPECIFIED		MARATHON ELECTRIC	DRAWN PVR 09/02/13			
			DEC.	INCHES		CHK JD 09/02/13			
			.X	±.1	TITLE OUTLINE- 56HC FRAME TENV- RIGID "C"	APPD	SCALE 3=8		
			.XX	±.03		REF 034991	FMF 056C17V5303		
			.XXX	±.005		MAT'L. STAINLESS STEEL DUCK	PREV		
			.XXXX	±.0005					
NO.	REVISION	BY & DATE	CHK	ANG ±1/2'	FINISH				
THIS DRAWING IN DESIGN AND DETAIL IS OUR PROPERTY AND MUST NOT BE USED EXCEPT IN CONNECTION WITH OUR WORK ALL RIGHTS OF DESIGN AND INVENTION ARE RESERVED THIS IS AN ELECTRONICALLY GENERATED DOCUMENT - DO NOT SCALE THIS PRINT			RFP		CAD FILE	034991ME	SIZE	DRAWING NO.	REV.
			DIST				A	034991ME	

VIEW FROM OUTSIDE OF MOTOR AT SWITCH END



	ROTATION FACING LEAD END	L1	L2	JOIN & INSULATE
HIGH VOLT	C.C.W.	T1	T4 T5	T2,T3 T8
	C.W.	T1	T4 T8	T2,T3 T5
LOW VOLT	C.C.W.	T1,T3 T8	T2,T4 T5	
	C.W.	T1,T3 T5	T2,T4 T8	

		TOLERANCES UNLESS SPECIFIED				DRAWN RDW 04/18/02			
		DEC.	INCHES			CHK			
		.X	±.1			APPD KMM 04/18/02			
		.XX	±.01			SCALE 1=1			
		.XXX	±.005			REF			
		.XXXX	±.0005	MAT'L. DECAL - 004012		FMF			
NO.	REVISION	BY & DATE	CHK	ANG	±1/2'	PREV			
THIS DRAWING IN DESIGN AND DETAIL IS OUR PROPERTY AND MUST NOT BE USED EXCEPT IN CONNECTION WITH OUR WORK ALL RIGHTS OF DESIGN AND INVENTION ARE RESERVED THIS IS AN ELECTRONICALLY GENERATED DOCUMENT - DO NOT SCALE THIS PRINT			RFP	04/18/02	CAD FILE	00527801ME	SIZE	DRAWING NO.	REV.
			DIST				A	005278-01ME	

CERTIFICATION DATA SHEET

Model#: 56C34V5302 A WINDING#: C632215 NR 3
 CONN. DIAGRAM: 005278.01ME ASSEMBLY: F1 ONLY
 OUTLINE: 034991ME-750

TYPICAL MOTOR PERFORMANCE DATA

HP	KW	SYNC. RPM	F.L. RPM	FRAME	ENCLOSURE	KVA CODE	DESIGN
1/2	.37	3600	3450	56HC	TENV	M	L

PH	Hz	VOLTS	FL AMPS	START TYPE	DUTY	INSL	S.F	AMB°C	ELEVATION
1	60	115/208-230	7.6/4-3.8	ACROSS THE LINE	CONTINUOUS	F4	1.15	40	3300

FULL LOAD EFF: 66	3/4 LOAD EFF: 46.2	1/2 LOAD EFF: 31	GTD. EFF	ELEC. TYPE	NO LOAD AMPS
FULL LOAD PF: 64	3/4 LOAD PF: 82.1	1/2 LOAD PF: 96.9	-	CAP START IND RUN	3.8 / 1.9

F.L. TORQUE	LOCKED ROTOR AMPS	L.R. TORQUE	B.D. TORQUE	F.L. RISE°C
12 LB-FT	46 / 23	45 LB-FT 375	30 LB-FT 250	-

SOUND PRESSURE @ 3 FT.	SOUND POWER	ROTOR WK^2	MAX. WK^2	SAFE STALL TIME	STARTS /HOUR	APPROX. MOTOR WGT
- dBA	- dBA	0.032 LB-FT^2	- LB-FT^2	- SEC.	-	0 LBS.

*** SUPPLEMENTAL INFORMATION ***

DE BRACKET TYPE	ODE BRACKET TYPE	MOUNT TYPE	ORIENTATION	SEVERE DUTY	HAZARDOUS LOCATION	DRIP COVER	SCREENS	PAINT
C-FACE	STANDARD	RIGID	HORIZONTAL	FALSE	NONE	FALSE	NONE	NO PAINT

BEARINGS		GREASE	SHAFT TYPE	SPECIAL DE	SPECIAL ODE	SHAFT MATERIAL	FRAME MATERIAL
DE	OPE						
BALL	BALL	POLYREX EM	STANDARD 56	NONE	NONE	303 STAINLESS (C-501)	STAINLESS STEEL
6205	6203						

THERMO-PROTECTORS				THERMISTORS	CONTROL	SPACE /n HEATERS
THERMOSTATS	PROTECTORS	WDG RTDs	BRG RTDs			
NONE	NOT	NONE	NONE	NONE	FALSE	NONE VOLTS

If Inverter equals NONE, contact factory for further information

*
N
O
T
E
S
*

INVERTER TORQUE: NONE
INV. HP SPEED RANGE: NONE
ENCODER: NONE
NONE NONE
NONE NONE PPR
BRAKE: NONE NONE
NONE P/N NONE
NONE NONE
NONE FT-LB NONE V NONE Hz

DATE: 06/28/2017 12:38:31 AM
 FORM 3531 REV.3 02/07/99
 ** Subject to change without notice.