

PRODUCT INFORMATION PACKET

Model No: 056PNRA10100

Catalog No: SY001

0.50 HP Permanent Magnet (PMAC) Motor, 3 phase, 1800 RPM, 230/460 V, 56Z Frame, TENV
SyMAX - Permanent Magnet AC Motors





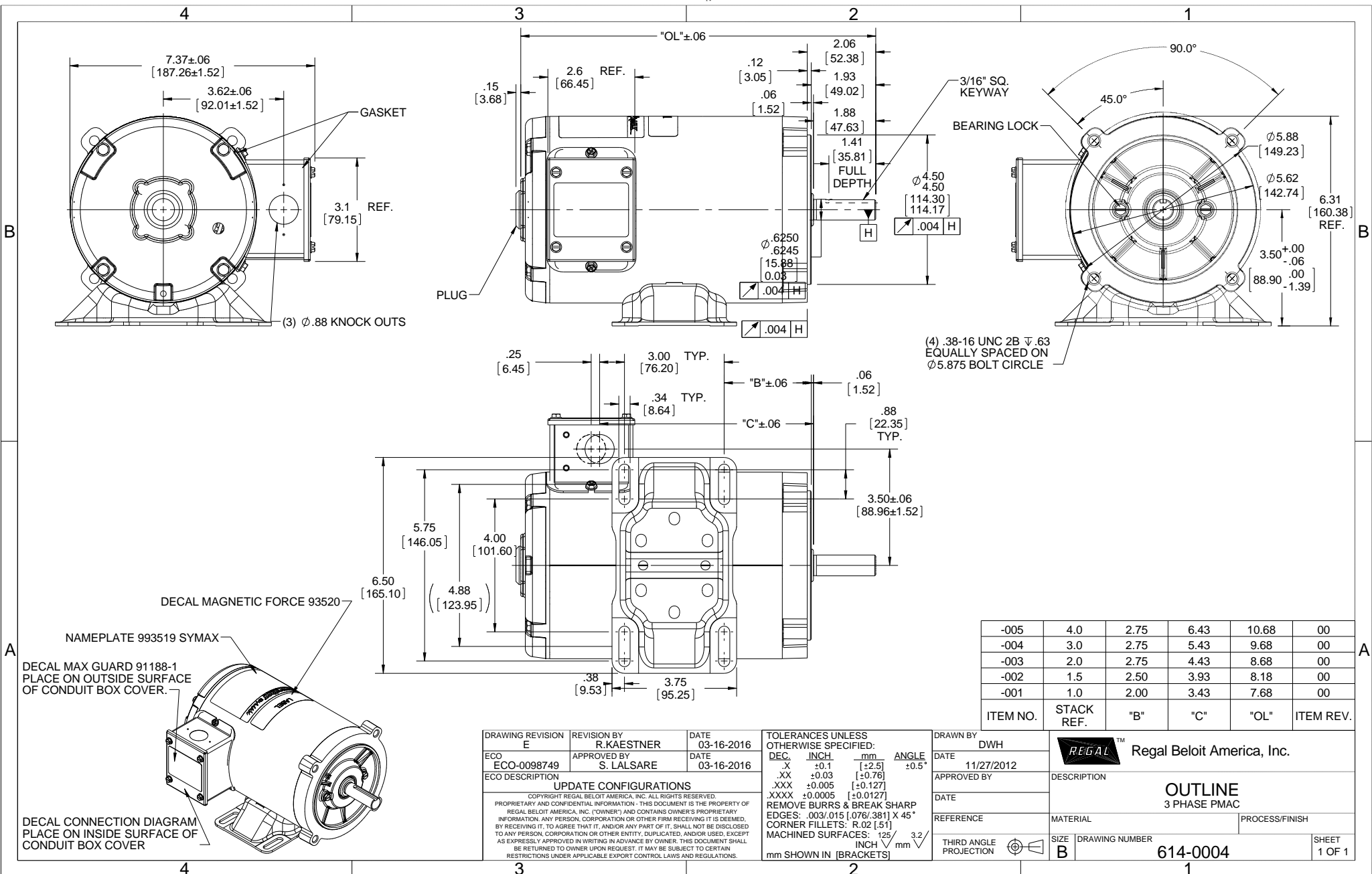
Nameplate Specifications

Output HP	0.50 Hp	Output KW	0.37 kW
Frequency	90 Hz	Voltage	230/460 V
Current	1.9/0.80 A	Speed	1800 rpm
Service Factor	1	Phase	3
Efficiency	82.2 %	Power Factor	96
Duty	Continuous	Insulation Class	F
Design Code	No Design Code	KVA Code	NO KVA CODE
Frame	S56C	Enclosure	Totally Enclosed Non Ventilated
Thermal Protection	No	Ambient Temperature	40 °C
Drive End Bearing Size	6203	Opp Drive End Bearing Size	6203
UL	Recognized	CSA	Y
CE	Y	IP Code	43

Technical Specifications

Electrical Type	AC Permanent Magnet	Starting Method	Inverter Only
Poles	6	Rotation	Reversible
Resistance Main	0 Ohms	Mounting	Rigid Base
Motor Orientation	Horizontal	Drive End Bearing	Ball
Opp Drive End Bearing	Ball	Frame Material	Rolled Steel
Shaft Type	NEMA 56	Overall Length	7.68 in
Shaft Diameter	0.625 in	Shaft Extension	2.06 in
Assembly/Box Mounting	F1 ONLY		
Connection Drawing	EE7308	Outline Drawing	614-0004-001

This is an uncontrolled document once printed or downloaded and is subject to change without notice. Date Created:14/10/2020



-005	4.0	2.75	6.43	10.68	00
-004	3.0	2.75	5.43	9.68	00
-003	2.0	2.75	4.43	8.68	00
-002	1.5	2.50	3.93	8.18	00
-001	1.0	2.00	3.43	7.68	00
ITEM NO.	STACK REF.	"B"	"C"	"OL"	ITEM REV.

DRAWING REVISION E	REVISION BY R. KAESTNER	DATE 03-16-2016	TOLERANCES UNLESS OTHERWISE SPECIFIED: DEC. INCH mm ANGLE ±0.5°
ECO-0098749	APPROVED BY S. LALSARE	DATE 03-16-2016	.X ±0.1 [+2.5] .XX ±0.03 [+0.76] .XXX ±0.005 [+0.127] .XXXX ±0.0005 [+0.0127]
ECO DESCRIPTION UPDATE CONFIGURATIONS			REMOVE BURRS & BREAK SHARP EDGES: .003/.015 [.076/.381] X 45° CORNER FILLETS: R.02 [.51] MACHINED SURFACES: 125/3.2 INCH/mm
<small>COPYRIGHT REGAL BELOIT AMERICA, INC. ALL RIGHTS RESERVED. PROPRIETARY AND CONFIDENTIAL INFORMATION - THIS DOCUMENT IS THE PROPERTY OF REGAL BELOIT AMERICA, INC. ("OWNER") AND CONTAINS OWNER'S PROPRIETARY INFORMATION. ANY PERSON, CORPORATION OR OTHER FIRM RECEIVING IT IS DEEMED, BY RECEIVING IT, TO AGREE THAT IT, AND/OR ANY PART OF IT, SHALL NOT BE DISCLOSED TO ANY PERSON, CORPORATION OR OTHER ENTITY, DUPLICATED, AND/OR USED, EXCEPT AS EXPRESSLY APPROVED IN WRITING IN ADVANCE BY OWNER. THIS DOCUMENT SHALL BE RETURNED TO OWNER UPON REQUEST. IT MAY BE SUBJECT TO CERTAIN RESTRICTIONS UNDER APPLICABLE EXPORT CONTROL LAWS AND REGULATIONS.</small>			

DRAWN BY DWH	REGAL™ Regal Beloit America, Inc.	
DATE 11/27/2012	DESCRIPTION OUTLINE 3 PHASE PMAC	
APPROVED BY	MATERIAL	PROCESS/FINISH
DATE	SIZE B	DRAWING NUMBER 614-0004
REFERENCE	THIRD ANGLE PROJECTION	SHEET 1 OF 1



NO.	REVISION	BY & DATE	CHK	ANG	TOLERANCES UNLESS SPECIFIED		FINISH	DRAWN RM	ML	REV.	
					DEC.	INCHES					
5	CHG TO REGAL LOGO	SL 09/10/2015	AB					RM	11/20/1990		
4	REVISED IEC NOTATIONS	MSG 11/15/2011	CMN	.X	±.1			CHK	ML 11/21/1990		
3	ADDED IEC NOTATIONS... (U1), (V1) ETC. MU95194	MSG 5/10/2010	MJS	.XX	±.02			APPD	SAS 04/24/2003		
2	ADDED THE OPTIONAL CORD CONNECTION MU46318	RDH 04/24/2003	DRS	.XXX	±.005			SCALE	1=1		
1	REDRAWN	RM 11/20/1990		.XXXX	±.0005			REF			
					±7'30"			FMP			
THIS DRAWING IN DESIGN AND DETAIL IS OUR PROPERTY AND MUST NOT BE USED EXCEPT IN CONNECTION WITH OUR WORK ALL RIGHTS OF DESIGN AND INVENTION ARE RESERVED THIS IS AN ELECTRONICALLY GENERATED DOCUMENT - DO NOT SCALE THIS PRINT							RFP	CAD FILE ee7308	SIZE	DRAWING NO. PAGE OF	REV.
							DIST WP		A	EE7308	5



P.O. BOX 8003
WAUSAU, WI 54401-8003
PH. 715-675-3311

CERTIFICATION DATA SHEET

CUSTOMER PO#:
CUSTOMER PART #:
MODEL #: 56PNRA10100 A
MOUNTING: F1 ONLY

CUSTOMER:
ORDER #:
CONN. DIAGRAM: EE7308
OUTLINE: 614-0004-001
WINDING #: PM04806026 1

TYPICAL MOTOR PERFORMANCE DATA

HP	KW	SYNC. RPM	F.L. RPM	FRAME	ENCLOSURE	KVA CODE	DESIGN	
1/2	0.37	1800	1800	S56Z	TENV	NO KVA CODE	PM	
PH	Hz	VOLTS	AMPS	START TYPE	DUTY	INSL	S.F.	AMB°C
3	90	230/460	1.9/0.8	INVERTER ONLY	CONTINUOUS	F3	1.0	40

FULL LOAD EFF:	82.2	3/4 LOAD EFF:	82.9	1/2 LOAD EFF:	81.2	GTD. EFF		ELEC. TYPE	
FULL LOAD PF:	96	3/4 LOAD PF:	-	1/2 LOAD PF:	-	82.2		AC PERMANENT MAGNET	
F.L. TORQUE	LOCKED ROTOR AMPS	L.R. TORQUE	B.D. TORQUE	F.L. RISE°C					
1.458 FT-LB	/	- FT-LB	- %	- %	67				

SOUND PRESSURE @ 3 FT.	SOUND POWER	ROTOR WK^2	MAX. WK^2	SAFE STALL TIME	STARTS / HOUR	APPROX. MOTOR WGT
60 DBA	70 DBA	0.022 LB-FT^2	- LB-FT^2	- SEC.	-	12.3 LBS.

*** SUPPLEMENTAL INFORMATION ***

DE BRACKET TYPE	ODE BRACKET TYPE	MOUNT TYPE	ORIENTATION	SEVERE DUTY	HAZARDOUS LOCATION	DRIP COVER	SCREENS	PAINT
STANDARD	STANDARD	RIGID	HORIZONTAL	FALSE	NONE	FALSE	NONE	BLACK (POWDER)

DE	BALL	GREASE	SHAFT TYPE	SPECIAL DE	SPECIAL ODE	SHAFT MATERIAL	FRAME MATERIAL
6203	6203	POLYREX EM	SGL SPL EXT	0.625 x 1.88 IN SEK	NONE	1144 STRESSPROOF (C-223)	ROLLED STEEL

THERMO-PROTECTORS							
THERMOSTATS	PROTECTORS	WDG RTDS	BRG RTDS	THERMISTORS	CONTROL	SPACE HEATERS	VOLTS
NONE	NOT	NONE	NONE	NONE	FALSE	NONE	NONE

* **INVERTER TORQUE:** NONE
INV. HP SPEED RANGE: NONE

N **ENCODER:** NONE
 NONE NONE
 NONE NONE PPR

O **BRAKE:** NONE NONE
 NONE P/N NONE
 NONE NONE

T **FT-LB** NONE V NONE HZ

E
 S
 *

PREPARED BY: Dinesh

Suddula DATE:

02/08/2019 01:26:54 AM

FORM 3531 REV.3 02/07/99

** Subject to change without notice.