

PRODUCT INFORMATION PACKET

Model No: 056T17D11043

Catalog No: G065A

0.50 HP General Purpose Motor, 3 phase, 1800 RPM, 575 V, 56 Frame, ODP
Three Phase ODP Motors





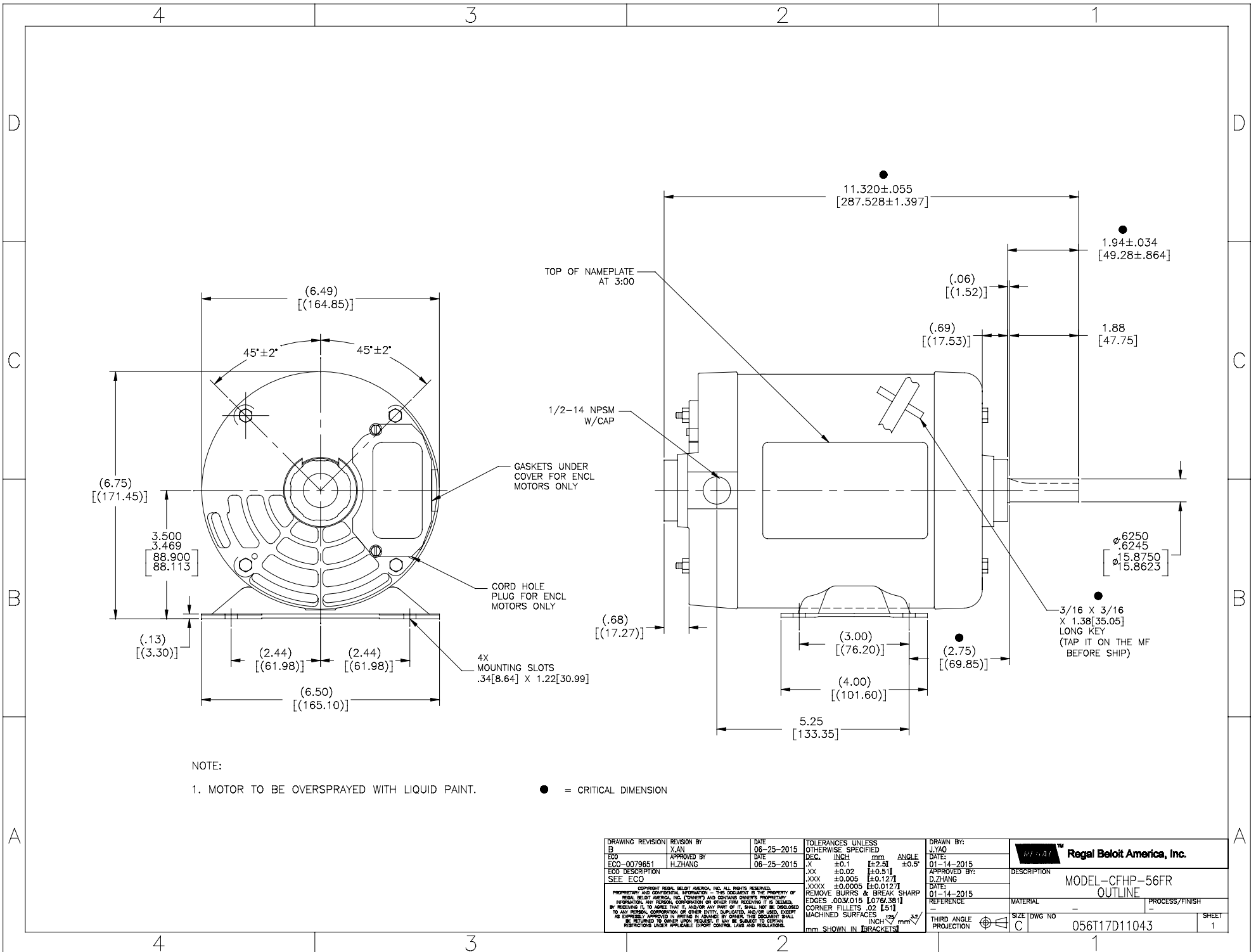
Nameplate Specifications

Output HP	0.50 Hp	Output KW	0.37 kW
Frequency	60 Hz	Voltage	575 V
Current	0.70 A	Speed	1725 rpm
Service Factor	1.25	Phase	3
Efficiency	78.2 %	Power Factor	55.5
Duty	Continuous	Insulation Class	B
Design Code	B	KVA Code	K
Frame	56	Enclosure	Drip Proof
Thermal Protection	No	Ambient Temperature	40 °C
Drive End Bearing Size	6203	Opp Drive End Bearing Size	6203
UL	Recognized	CSA	Y
CE	Y	IP Code	22

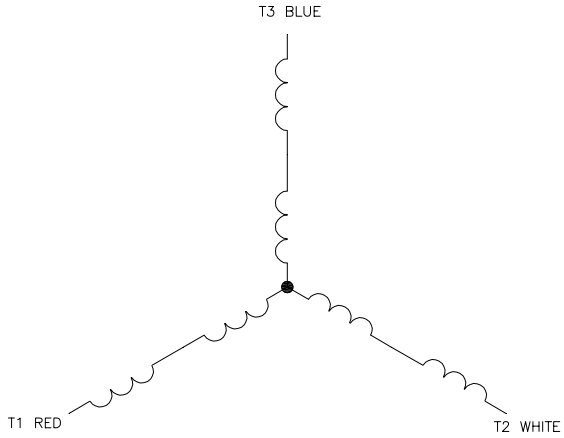
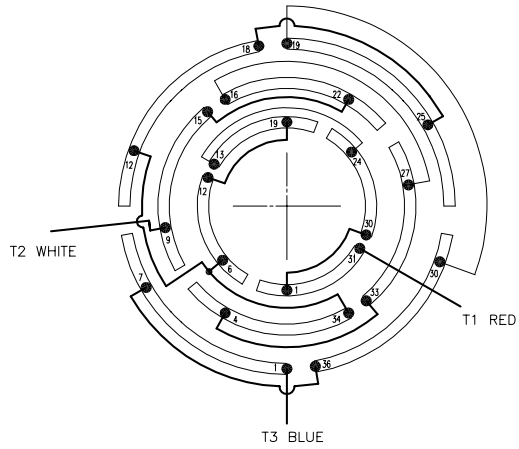
Technical Specifications

Electrical Type	Squirrel Cage Induction Run	Starting Method	Across The Line
Poles	4	Rotation	Reversible
Resistance Main	0 Ohms	Mounting	Rigid Base
Motor Orientation	Horizontal	Drive End Bearing	Ball
Opp Drive End Bearing	Ball	Frame Material	Rolled Steel
Shaft Type	T	Overall Length	11.31 in
Shaft Diameter	0.625 in	Shaft Extension	1.88 in
Assembly/Box Mounting	F1 OUT ODE BRKT RADIAL		
Outline Drawing	056T17D11043-S01	Connection Drawing	D0000567-001

This is an uncontrolled document once printed or downloaded and is subject to change without notice. Date Created:14/12/2020



DRAWING REVISION BY		DATE	TOLERANCES UNLESS OTHERWISE SPECIFIED		DRAWN BY:	
B	XIAN	06-25-2015	DEC.	INCH	mm	ANGLE
ECO	APPROVED BY	DATE	X	±0.1	±0.51	±0.5°
ECO-0079651	H.ZHANG	06-25-2015	JXX	±0.02	±0.51	
ECO DESCRIPTION	SEE ECO		JXXX	±0.005	±0.127	
<small> COPYRIGHT REGAL BELOIT AMERICA, INC. ALL RIGHTS RESERVED. PROPRIETARY AND CONFIDENTIAL INFORMATION - THIS DOCUMENT IS THE PROPERTY OF REGAL BELOIT AMERICA, INC. (OWNER) AND CONTAINS OWNER'S PROPRIETARY INFORMATION. ANY REPRODUCTION, COPIATION OR OTHER USE WITHOUT THE WRITTEN PERMISSION OF REGAL BELOIT AMERICA, INC. IS STRICTLY PROHIBITED. BY RECEIVING IT, YOU AGREE THAT IT, AND/OR ANY PART OF IT, SHALL NOT BE DISCLOSED TO ANY PERSON, CORPORATION OR OTHER ENTITY, SUPPLIER, AND/OR USER, SHALL BE EXPLICITLY APPROVED IN WRITING BY ADVISING BY OWNER. THIS DOCUMENT SHALL BE RETURNED TO OWNER UPON REQUEST. IT MAY BE SUBJECT TO CERTAIN RESTRICTIONS UNDER APPLICABLE EXPORT CONTROL LAWS AND REGULATIONS. </small>			REMOVE BURRS & BREAK SHARP EDGES .003/015 [076/381] CORNER FILLETS .02 [51] MACHINED SURFACES		JYAO DATE: 01-14-2015 APPROVED BY: D.ZHANG DATE: 01-14-2015 REFERENCE: -	DESCRIPTION MODEL-CFHP-56FR OUTLINE MATERIAL: - PROCESS/FINISH: -
THIRD ANGLE PROJECTION			SIZE DWG NO		SHEET	
INCH mm			056117D11043		1	



- NOTES:
1. 36 SLOT 3° CCW ROTATION
 2. WHEN: PHASE ROTATION
A: T1; B:T2; C: T3

DRAWING REVISION: A	REVISION BY: R.ZHOU	DATE: 01-16-2015	TOLERANCES UNLESS OTHERWISE SPECIFIED	DRAWN BY: R.ZHOU
ECO: ECO-0069290	APPROVED BY: D.ZHANG	DATE: 01-16-2015	DEC: .004	DATE: 01-16-2015
ECO DESCRIPTION: NEW MODEL RELEASE			XX ±0.1	APPROVED BY: D.ZHANG
			XX ±0.02	DATE: 01-16-2015
			XXX ±0.005	REFERENCE:
			XXXX ±0.0005	SIZE DWG NO: D0000567-001
			REMOVE BURRS & BREAK SHARP EDGES .003-.015 (.076-.381)	SHEET 1
			CORNER FILLETS .02 (.51)	
			MACHINED SURFACES .004 (.102)	
			MIN SHOWN IN [BRACKETS]	



CONN DIAGRAM-INTERNAL

THIRD ANGLE PROJECTION

PROCESS/FINISH

REGAL Beloit America, Inc.

REGAL

REGAL

REGAL

REGAL

REGAL

REGAL

REGAL

REGAL

REGAL

REGAL

REGAL

REGAL



MARATHON ELECTRIC CORPORATION
TYPICAL PERFORMANCE CURVE for AC MOTOR

Customer

Curve at

575

Volts

HP 0.50

PHASE 3

Model No 56T17D11043

60

HZ

VOLTS 575

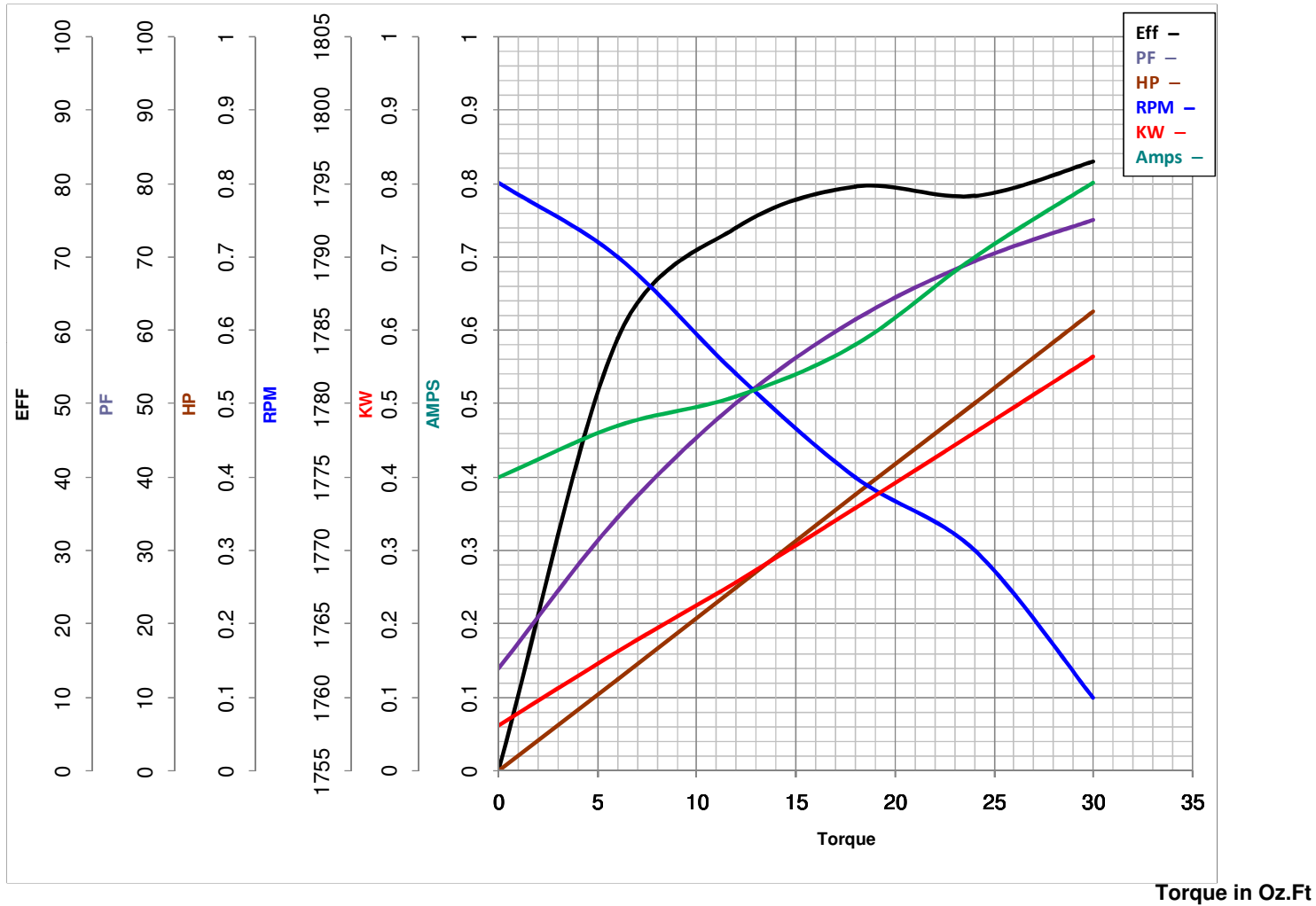
Catalog No G065A

0.5

HP

HZ 60

RPM 1725



FL TORQUE	<u>24</u>	Oz.Ft	FL AMPS	<u>0.7</u>	
BD TORQUE	<u>123.0</u>	Oz.Ft	PU TORQUE	<u>84.2</u>	Oz.Ft
LR TORQUE	<u>87</u>	Oz.Ft	LR AMPS	<u>5.68</u>	
WINDING	SS0069290-		Date	3/5/2019	