

# PRODUCT INFORMATION PACKET

Model No: 056T17F15664

Catalog No: G564A

1.50 HP General Purpose Motor, 3 phase, 1800 RPM, 208-230/460 V, 56C Frame, TEFC  
Three Phase TEFC Motors





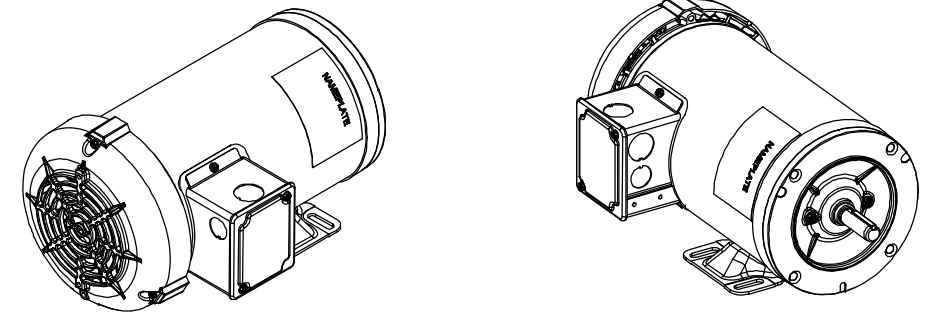
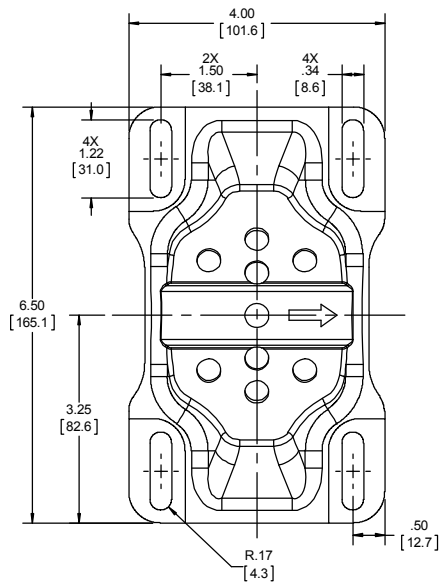
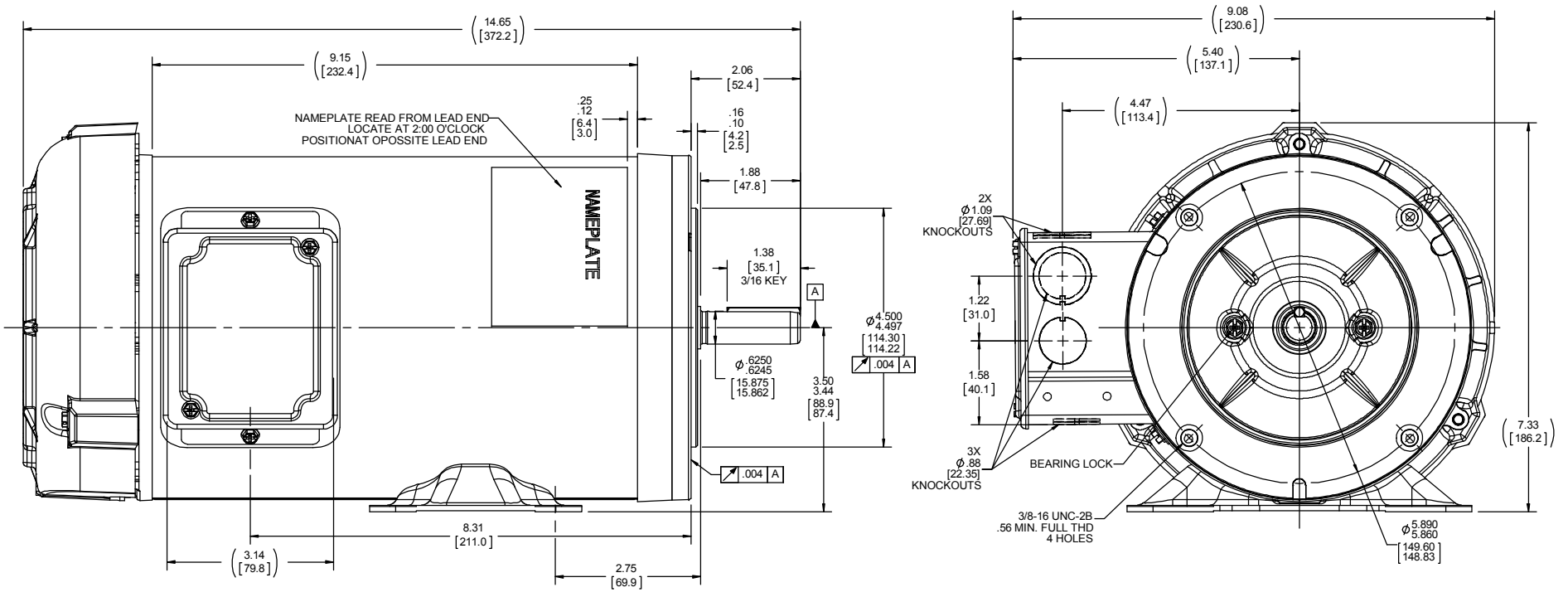
**Nameplate Specifications**

Output HP	1.50 Hp	Output KW	1.1 kW
Frequency	60 Hz	Voltage	208-230/460 V
Current	4.7-4.6/2.3 A	Speed	1725 rpm
Service Factor	1.25	Phase	3
Efficiency	86.5 %	Power Factor	71
Duty	Continuous	Insulation Class	B
Design Code	A	KVA Code	P
Frame	56C	Enclosure	Totally Enclosed Fan Cooled
Thermal Protection	No	Ambient Temperature	40 °C
Drive End Bearing Size	6205	Opp Drive End Bearing Size	6203
UL	Recognized	CSA	Y
CE	Y	IP Code	43

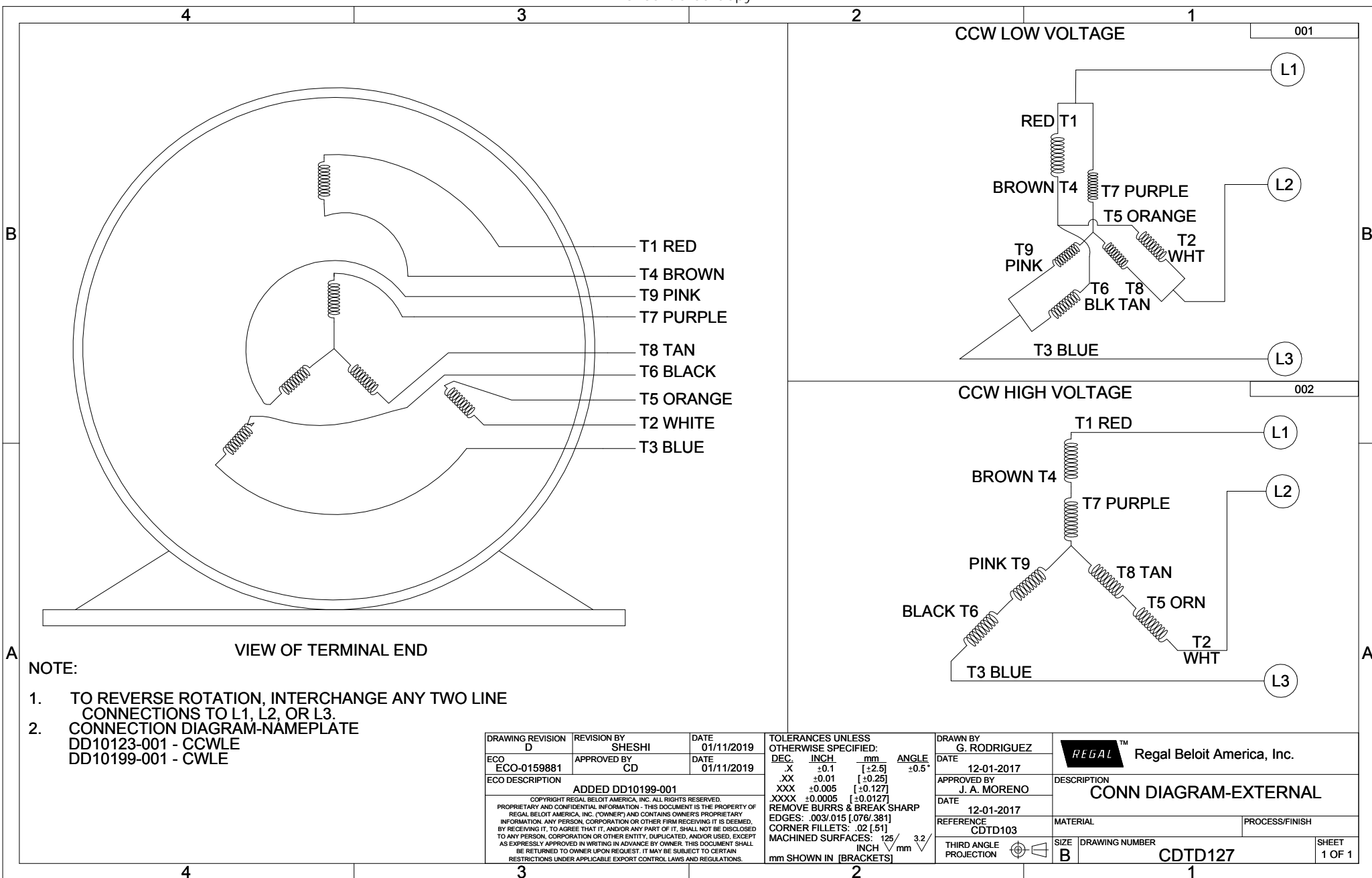
**Technical Specifications**

Electrical Type	Squirrel Cage Induction Run	Starting Method	Across The Line
Poles	4	Rotation	Reversible
Resistance Main	7.9 Ohms	Mounting	Rigid Base
Motor Orientation	Horizontal	Drive End Bearing	Ball
Opp Drive End Bearing	Ball	Frame Material	Rolled Steel
Shaft Type	NEMA 56	Overall Length	14.65 in
Frame Length	8.65 in	Shaft Diameter	0.625 in
Shaft Extension	1.88 in	Assembly/Box Mounting	F1 ONLY
Outline Drawing	OL56100098-001	Connection Drawing	CDTD127

This is an uncontrolled document once printed or downloaded and is subject to change without notice. Date Created:14/10/2020



DRAWING REVISION E		REVISION BY SHESHI	REV DATE/DATE 06/07/2019	TOLERANCES (EXCEPT AS NOTED): DEC. INCH. MIN. ANGLE X ±0.1 (E3) ±0.5° .XX ±0.02 (±0.5) .XXX ±0.005 (±0.13) .XXX ±0.005 (±0.013) MACHINED SURFACES: 125/3.2 mm DIMENSIONS IN [BRACKETS] ARE FOR REFERENCE ONLY			DRAWN BY J.RUIZ	Regal Beloit America, Inc.	
ECO-0168440		APPROVED BY SAM	DATE 06/07/2019	REMOVED DRAIN HOLE REMOVE BURRS & BREAK SHARP EDGES: .003/.015 [08/38] X 45° CORNER FILLETS: R.02 [5] MACHINED SURFACES: 125/3.2			DATE 05-16-2016		DESCRIPTION <b>OUTLINE</b> 56H FR, TEFC, C-FACE
ECO DESCRIPTION		COPYRIGHT (PER REVISION DATE) REGAL BELOIT AMERICA, INC. ALL RIGHTS RESERVED. PROPRIETARY AND CONFIDENTIAL INFORMATION. THIS DOCUMENT IS THE PROPERTY OF REGAL BELOIT AMERICA, INC. FORWARDING AND CONTAINING OWNERS PROPRIETARY INFORMATION, ANY PERSON, CORPORATION OR OTHER FIRM RECEIVING IT IS DEEMED BY RECEIVING IT, TO AGREE THAT IT, AND/OR ANY PART OF IT, SHALL NOT BE DISCLOSED TO ANY PERSON, CORPORATION OR OTHER ENTITY, DUPLICATED, AND/OR USED, EXCEPT AS EXPRESSLY APPROVED IN WRITING IN ADVANCE BY OWNER. THIS DOCUMENT SHALL BE RETURNED TO OWNER UPON REQUEST. IT MAY BE SUBJECT TO CERTAIN RESTRICTIONS UNDER APPLICABLE EXPORT CONTROL LAWS AND REGULATIONS.			REFERENCE			MATERIAL	PROCESS/FINISH
THIRD ANGLE PROJECTION		SIZE			DRAWING NUMBER <b>OL56100098-001</b>		SHEET 1 OF 1		



VIEW OF TERMINAL END

- NOTE:
1. TO REVERSE ROTATION, INTERCHANGE ANY TWO LINE CONNECTIONS TO L1, L2, OR L3.
  2. CONNECTION DIAGRAM-NAMEPLATE DD10123-001 - CCWLE DD10199-001 - CWLE

DRAWING REVISION D	REVISION BY SHESHI	DATE 01/11/2019	TOLERANCES UNLESS OTHERWISE SPECIFIED:		DRAWN BY G. RODRIGUEZ	Regal Beloit America, Inc.		
ECO ECO-0159881	APPROVED BY CD	DATE 01/11/2019	DEC.    INCH    mm	ANGLE	DATE 12-01-2017			
ECO DESCRIPTION ADDED DD10199-001			.X    ±0.1    [+2.5]	±0.5°	APPROVED BY J. A. MORENO	DESCRIPTION CONN DIAGRAM-EXTERNAL		
<small>COPYRIGHT REGAL BELOIT AMERICA, INC. ALL RIGHTS RESERVED.                  PROPRIETARY AND CONFIDENTIAL INFORMATION - THIS DOCUMENT IS THE PROPERTY OF                  REGAL BELOIT AMERICA, INC. (OWNER) AND CONTAINS OWNERS PROPRIETARY                  INFORMATION. ANY PERSON, CORPORATION OR OTHER FIRM RECEIVING IT IS DEEMED,                  BY RECEIVING IT, TO AGREE THAT IT, AND/OR ANY PART OF IT, SHALL NOT BE DISCLOSED                  TO ANY PERSON, CORPORATION OR OTHER ENTITY, DUPLICATED, AND/OR USED, EXCEPT                  AS EXPRESSLY APPROVED IN WRITING IN ADVANCE BY OWNER. THIS DOCUMENT SHALL                  BE RETURNED TO OWNER UPON REQUEST. IT MAY BE SUBJECT TO CERTAIN                  RESTRICTIONS UNDER APPLICABLE EXPORT CONTROL LAWS AND REGULATIONS.</small>			REMOVE BURRS & BREAK SHARP EDGES: .003/.015 [.076/.381] CORNER FILLETS: .02 [.51] MACHINED SURFACES: 125/3.2	DATE 12-01-2017	REFERENCE CDTD103	MATERIAL	PROCESS/FINISH	
			mm SHOWN IN [BRACKETS]		THIRD ANGLE PROJECTION	SIZE B	DRAWING NUMBER CDTD127	SHEET 1 OF 1



Data Sheet

56T17F15664



Submital

Data @ 460 V

Date: 1/22/2019

Customer: \_\_\_\_\_  
Attention: \_\_\_\_\_

Submitted by: FAREEDA DUDEKULA

Motor Load Data

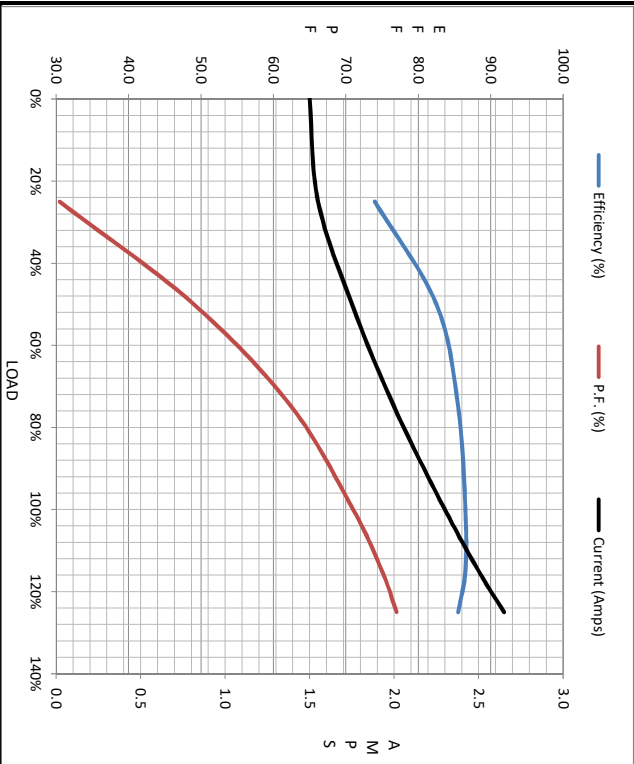
Load	0%	25%	50%	75%	100%	115%	125%	LR
Current (Amps)	1.50	1.55	1.75	2.00	2.30	2.50	2.65	24.0
Torque (ft-lb)	0.00	1.10	2.20	3.5	4.5	5.2	5.7	21.2
RPM	1800	1790	1780	1765	1755	1,750	1745	0
Efficiency (%)		74.0	82.5	85.5	86.5	86.5	85.5	
P.F. (%)	7.5	30.5	49.0	62.5	71.0	75.0	77.0	69.5

Motor Speed Data

	LR	Pull-Up	BD	Rated	Idle
Speed (RPM)	0	130	1190	1755	1800
Current (Amps)	24.0	23.3	16.0	2.30	1.50
Torque (ft-lb)	21.2	20.2	26.0	4.5	0.00

Information Block

HP	1.5			
Sync. RPM	1800			
Frame	56			
Enclosure	TEFC			
Construction	TS			
Voltage	208-230/460#190/380 V			
Frequency	60 Hz			
Design	A			
LR Code letter	P			
Service Factor	1.25			
Temp Rise @ FL	35 °C			
Duty	CONT			
Ambient	40 °C			
Elevation	3300 feet			
Motor/Shaft wk <sup>2</sup>	0.14 Lb-Ft <sup>2</sup>			
Ret Wdg	ZT4256 FR			
Sound Pressure @ 1M	62 dBA			
VFD Rating	NONE			
Outline Dwg	OL56100098-001			
Conn. Diag	CDTDD103			
Additional Specifications:				
0				
0				
R1	R2	X1	X2	Xm
4.8380	3.7800	7.1250	7.1630	189.6050



Speed - Torque Curve

