

PRODUCT INFORMATION PACKET

Model No: 056T17G15598

Catalog No: G668A

1 HP Explosion Proof Motor, 3 phase, 1800 RPM, 575 V, 56 Frame, EPFC
Explosion Proof NEMA Motors



Regal and Marathon are trademarks of Regal Beloit Corporation or one of its affiliated companies.
©2020 Regal Beloit Corporation, All Rights Reserved. MC017097E

REGAL

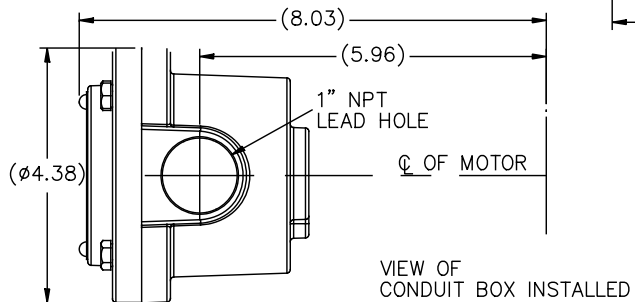
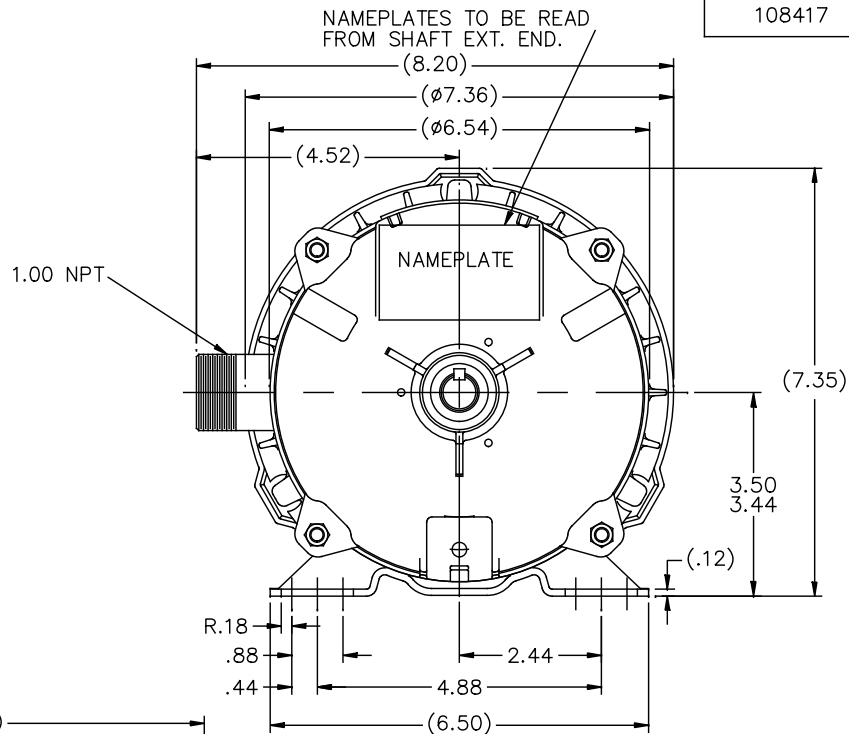
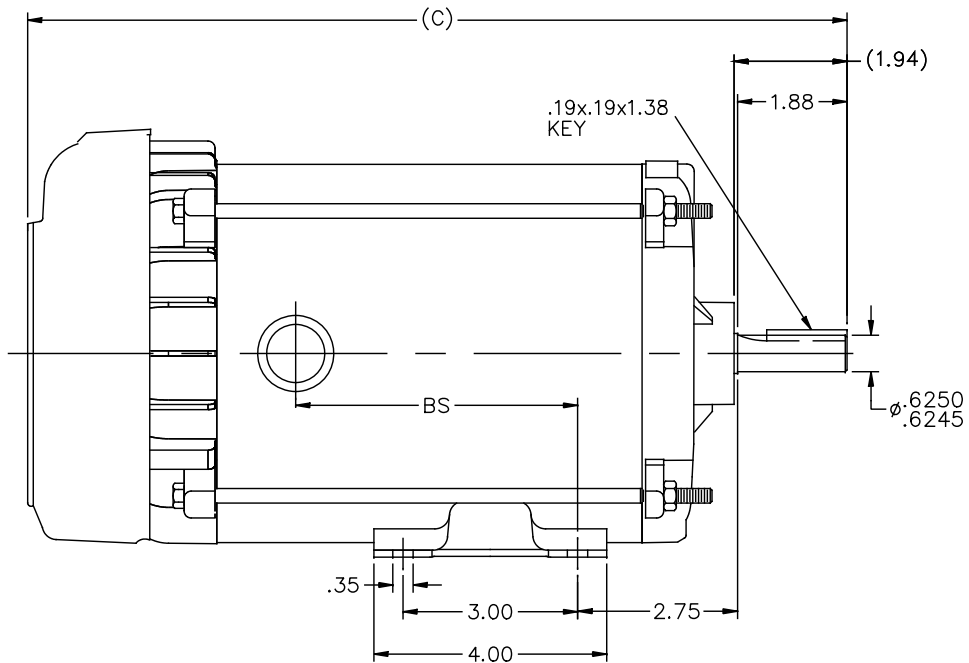
Nameplate Specifications

Output HP	1 Hp	Output KW	0.75 kW
Frequency	60 Hz	Voltage	575 V
Current	1.3 A	Speed	1725 rpm
Service Factor	1	Phase	3
Efficiency	85.5 %	Power Factor	68
Duty	Continuous	Insulation Class	B
Design Code	A	KVA Code	P
Frame	56	Enclosure	Explosion Proof Fan cooled
Thermal Protection	Automatic	Ambient Temperature	40 °C
Drive End Bearing Size	6205	Opp Drive End Bearing Size	6203
UL	UL Listed And CSA Certified	CSA	Y
CE	N	IP Code	54
Hazardous Location	EXP PROOF CL I GR C&D CL II GR F&G T3B		

Technical Specifications

Electrical Type	Squirrel Cage Induction Run	Starting Method	Across The Line
Poles	4	Rotation	Reversible
Resistance Main	11.8 Ohms	Mounting	Rigid base
Motor Orientation	Horizontal	Drive End Bearing	Ball
Opp Drive End Bearing	Ball	Frame Material	Rolled Steel
Shaft Type	NEMA 56	Overall Length	15.58 in
Frame Length	8.81 in	Shaft Diameter	0.625 in
Shaft Extension	1.88 in	Assembly/Box Mounting	F1 ONLY
Connection Drawing	EE7335B	Outline Drawing	B-108417-881

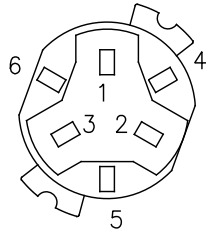
108417



DASH	(C)	BS
681	13.58	4.34
731	14.08	4.84
781	14.58	5.34
831	15.08	5.84
881	15.58	6.34
931	16.08	6.84
981	16.58	7.34

TOLERANCES UNLESS SPECIFIED		REGAL™ Regal Beloit America, Inc.		DRAWN SL 04/18/2016	
DEC.	INCHES	CHK	SM	04/18/2016	APPD SM 04/18/2016
.X	±.1				
.XX	±.03				
.XXX	±.005				
A	NEW DRAWING	SL	04/18/2016	SM	.XXX ±.005
	REVISION		BY & DATE	CHK	ANG ±7'30"
THIS DRAWING IN DESIGN AND DETAIL IS OUR PROPERTY AND MUST NOT BE USED EXCEPT IN CONNECTION WITH OUR WORK. ALL RIGHTS OF DESIGN AND INVENTION ARE RESERVED. THIS IS AN ELECTRONICALLY GENERATED DOCUMENT - DO NOT SCALE THIS PRINT.				RFP	CAD FILE 108049LE
				DIST	WP
				SIZE	B
				DRAWING NO.	108417
				PAGE	OF
				REV.	A

SINGLE VOLTAGE – THREE PHASE WITH OVERLOAD PROTECTOR

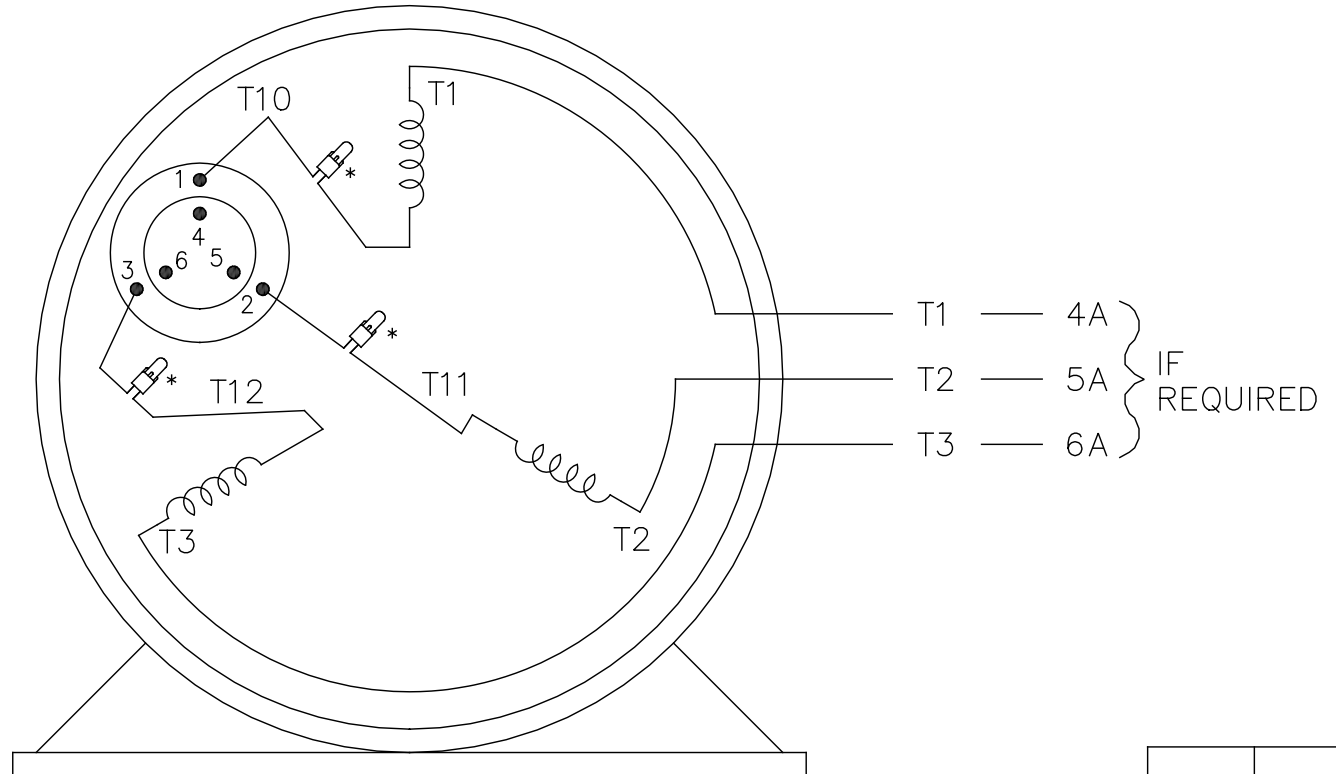


NOTE:
ACTUAL PROTECTOR
TERMINAL LOCATIONS
FOR LEAD CONNECTIONS

NOTE:

WEST PLAINS

LEADS WITH TERMINALS
SHOULD BE CONNECTED
TO INBOARD SIDE OF
TERMINAL BOARD.



T1 — 4A
T2 — 5A
T3 — 6A } IF REQUIRED

—TO REVERSE ROTATION—
INTERCHANGE ANY TWO
LINE LEAD CONNECTIONS

VIEW OF TERMINAL END

OPTIONAL CORD
CONNECTION

L1 — WHITE
L2 — RED
L3 — BLACK

		T6CK
T6CA		T6BM
T4CC		T4AY
T4C		T2DL
T6D		T2H

* USE PRESSURE CONNECTORS FOR MT2 PLANT ONLY

NO.	REVISION	BY & DATE	CHK	ANG	±	—	FINISH	PREV
11	ADDED THE OPTIONAL CORD CONNECTION	JAH 11-12-2014	RD					
10	PRESSURE CONNECTORS ADDED (QTY 3)	PVR 07-09-2014	GR					
9	ADDED 4A, 5A, & 6A "IF REQUIRED" MU44987	MSG 01-07-2002	SAS	.X	±	—		
8	ADDED ACTUAL PROTECTOR VIEW CN 17481	KL 05-18-1994		.XX	±	—		
7	REWORDED WEST PLAINS NOTE – PER WEST PLAINS	DD 01-12-1994		.XXX	±	—		
6	REDRAWN ON CAD – "WEST PLAINS" NOTE ADDED	KL 08-26-1993		.XXXX	±	—		

TOLERANCES
UNLESS SPECIFIED
DEC. INCHES



TITLE CONNECTION DIAGRAM
SINGLE VOLT – 3Ø WITH OVERLOAD PROT.

DRAWN	KL	08-25-1993
CHK	RD	11-12-2014
APPD	RD	11-12-2014
SCALE	1=1	
REF		
FMF		
PREV		

THIS DRAWING IN DESIGN AND DETAIL IS OUR PROPERTY AND MUST NOT BE USED EXCEPT
IN CONNECTION WITH OUR WORK ALL RIGHTS OF DESIGN AND INVENTION ARE RESERVED
THIS IS AN ELECTRONICALLY GENERATED DOCUMENT – DO NOT SCALE THIS PRINT

RFP	CAD FILE	EE7335B
DIST	LB-WP	

SIZE	DRAWING NO.	PAGE	OF	REV.
A	EE7335B			11



P.O. BOX 8003
WAUSAU, WI 54401-8003
PH. 715-675-3311

DATA VOLTS: 460

CERTIFICATION DATA SHEET

CUSTOMER P.O. #:
 ORDER #: EE7335B
 REFERENCE MODEL #: 56T17G15598
 CONN. DIAGRAM: B-108417-881
 CAT #: G668A
 OUTLINE: ZT4257 FR 4
 CUSTOMER PART #:
 WINDING: ZT4257 FR 4
 MOUNTING: F1 ONLY
 SPEED:
 TYPICAL MOTOR PERFORMANCE DATA

HP	KW	SYNC RPM	FL RPM	FRAME	ENCLOSURE	TYPE	KVA CODE	DESIGN
1	0.75	1800	1785	56	TEFC	TFR	P	A

PH	HZ	VOLTS	AMPS	START TYPE	DUTY	INSL	S.F.	AMB	ELEV.
3	60	575	1.3	ACROSS-THE LINE	CONT	B	1.15	40	3300

F.L. EFF	85.5	3/4 LD EFF	84.0	1/2 LD EFF	81.5	GTD EFF	ELECT. TYPE
	68.0	3/4 LD PF	59.5	1/2 LD PF	46.5	82.5	SQ CAGE IND RUN

F.L. TORQUE	LR AMPS @ 460 V	L.R. TORQUE	B.D. TORQUE	F.L. RISE (°C)
3.0 LB-FT	13.6	13.7 LB-FT	16.8 LB-FT	560%
				30

@ 3 FT. DBA	POWER	ROTOR WK ²	MAX. LOAD WK ²	SAFE STALL TIME	START/SHOUR	MOTOR WGT
62	71 DBA	0.12 LB-FT ²	0 LB-FT ²	15 SEC.	2	48 LB.

*** SUPPLEMENTAL INFORMATION ***

DE BRACKET TYPE	ODE BRACKET TYPE	MOUNT TYPE	MOTOR ORIENTATION	SEVERE DUTY	HAZARDOUS LOCATION	DRIIP COVER	SCREENS	PAINT
STANDARD	STANDARD	RIGID	HORIZONTAL	NO	DF CL I GR C&D CL I I GR	NO	NONE	GRAY (POWDER)

BEARINGS	GREASE	SHAFT TYPE	SPECIAL DE	SPECIAL ODE	SHAFT	MATERIAL	FRAME MATERIAL
DE BALL 6203	POLYREX EM	STANDARD 56	NONE	NONE	1144	STRESSPROOF (C-223)	ROLLED STEEL

THERMOSTATS	PROTECTORS	WDG RTD's	BRG RTD's	THERMISTORS	CONTROL	SPACE HEATERS
NONE	AUTOMATIC	NONE	NONE	NONE	FALSE	NA

R1 (ohms/ph)	R2 (ohms/ph)	X1 (ohms/ph)	X2 (ohms/ph)	Xm (ohms/ph)	VIBRATION (in/sec)	FLOAT
3.789	2.504	4.862	4.332	118.536	0.150	ODE

* N		INVERTER TORQUE: NONE	
O	INV. HP SPEED RANGE: NONE		
T	ENCODER: NONE		
E	BRAKE: NONE		
S	FT-LB: NONE		
	VOLTAGE: NONE		
	HZ: NONE		

PREPARED BY: FAREEDA DUDEKULA
 DATE: 9/12/2018
 FORM: 3531 REV 4 2/27/06
 UL: Q-INS. CONST. AUTO PRT UL REC

Data Sheet

56T17G15598



Submital

Data @ 575 V

Date: 12/3/2018

Customer:
 Attention:
 Submitted by: FAREEDA DUDEKULA

Motor Load Data

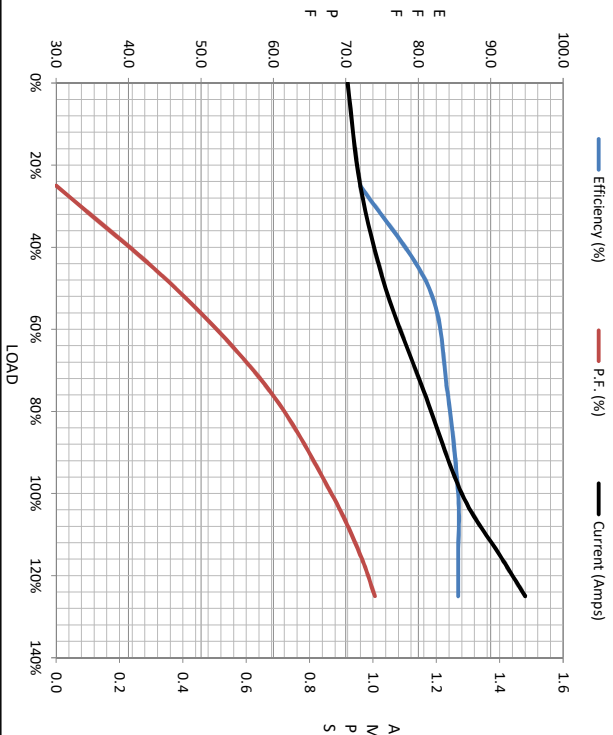
Load	0%	25%	50%	75%	100%	115%	125%	LR
Current (Amps)	0.92	0.96	1.04	1.16	1.28	1.40	1.48	13.6
Torque (ft-lb)	0.00	0.75	1.50	2.25	3.0	3.5	3.8	13.7
RPM	1800	1790	1785	1775	1765	1,760	1755	0
Efficiency (%)		72.0	81.5	84.0	85.5	85.5	85.5	
P.F. (%)		30.0	46.5	59.5	68.0	72.0	74.0	69.5

Motor Speed Data

	LR	Pull-Up	BD	Rated	Idle
Speed (RPM)	0	115	1270	1765	1800
Current (Amps)	13.6	12.8	8.8	1.28	0.92
Torque (ft-lb)	13.7	12.5	16.8	3.0	0.00

Information Block

HP	1.0				
Sync. RPM	1800				
Frame	56				
Enclosure	EPFC				
Construction	TSE				
Voltage	575 V				
Frequency	60 Hz				
Design	A				
LR Code letter	P				
Service Factor	1				
Temp Rise @ FL	30 °C				
Duty	CONT				
Ambient	40 °C				
Elevation	1,000 feet				
Motor/Shaft wk ²	0.12 Lb-Ft ²				
Ret Wdg	ZT4257 FR				
Sound Pressure @ 1M	62 dBA				
VFD Rating	NONE				
Outline Dwg	B-109417-981				
Conn. Diag	EE735B				
Additional Specifications:					
0					
0					
	EQUIV CKT (OHMS / PHASE)				
	R1	R2	X1	X2	Xm
	3.7890	2.5040	4.8520	4.3320	118.5360



Speed - Torque Curve

